

GlobTek, Inc. www.globtek.com 186 Veterans Drive, Northvale, NJ 07647 Tel. (201) 784-1000 Fax (201) 784-0111	Drawing Title: GT-46240-2412-T3, ITE Power Supply, Efficiency Level: VI, Case Color/Style: GlobTek Black, Desktop/External, Regulated Switchmode AC-DC Power Supply AC Adaptor, Input Rating: 100-240V~, 50-60 Hz, IEC 60320/C14 , Output Rating: 24W, 12V@2.0A, Output Configuration: 1830 + 150 - 0 mm, 22/4 Cond, UL 2464, MOLEX P/N:43025-0600 Micro-fit 3.0 (6) circuit connector housing with 6X Molex P/N: 43030-0001 Female terminal or Equal with overmold, Ferrite: None, GlobTek Black, GT Cord # C0579, Pin Out: Pins 1, 2: DC COM, Pins 3, 5, 6: +V, Pins 4,; No connection, Blades/Input Cord: Not Applicable, Approvals: India; cULus; S-Mark 60950; 230V CoC Tier 2; EAC; CE; China RoHS; Class I; IP52; Level VI; LPS; VCCI; PSE; RoHS; Ukraine; WEEE; RCM; CAN ICES-3; Korea (24V Only); CCC;	
	Model No. GT-46240-2412-T3	
	Part No./Ordering No. TR9CE2000MLXG-N(R6B)	Rev A

## REVISION HISTORY

REV	DESCRIPTION	SUB	DATE	APPROVED
A	Initial release	rchiu	08/07/2017	QA

In Addition to GlobTek Inc.'s renewed ISO9001:2015 - Quality Management System Certification, GlobTek Inc. is now certified to:

ISO13485:2016 - Medical Devices Quality Management System Certification  
ISO14001:2015 - Environmental Management System Certification

ISO Certificates are available online at <https://www.globtek.com/iso-certificates/>

### Customer Approval of Specification:

Please approve, sign and send back to GlobTek so we can complete order processing.  
A delay in receipt of this form will delay delivery schedule.

Company Name:

Customer P/N:

Quote Number:

Date:

Authorized Representative Name:

Authorized Representative Signature:

The acceptance of this specification and use of the product described in this document indicates the acceptance and binding of the customer to Globtek terms and conditions, which supersede all other agreements, terms, and conditions (<https://en.globtek.com/terms-and-conditions/>).

### Footnote:

GlobTek Inc. will not be liable for the safety and performance of these power supplies if unauthorized access and repair occurs. End user should consult applicable UL, CSA or EN standards for proper installation instruction.

### Limitation of Use:

GlobTek products are intended for use with commercial, medical, and/or industrial equipment only. GlobTek product are not authorized for use as mission critical components in life support hazardous environment, nuclear or aircraft applications without prior written approval from the CEO of GlobTek Inc.  
Contents of this document are subject to change without prior notice.

GlobTek, Inc. www.globtek.com 186 Veterans Drive, Northvale, NJ 07647 Tel. (201) 784-1000 Fax (201) 784-0111	Drawing Title: GT-46240-2412-T3, ITE Power Supply, Efficiency Level: VI, Case Color/Style: GlobTek Black, Desktop/External, Regulated Switchmode AC-DC Power Supply AC Adaptor, Input Rating: 100-240V~, 50-60 Hz, IEC 60320/C14 , Output Rating: 24W, 12V@2.0A, Output Configuration: 1830 + 150 - 0 mm, 22/4 Cond, UL 2464, MOLEX P/N:43025-0600 Micro-fit 3.0 (6) circuit connector housing with 6X Molex P/N: 43030-0001 Female terminal or Equal with overmold, Ferrite: None, GlobTek Black, GT Cord # C0579, Pin Out: Pins 1, 2: DC COM, Pins 3, 5, 6: +V, Pins 4,: No connection, Blades/Input Cord: Not Applicable, Approvals: India; cULus; S-Mark 60950; 230V CoC Tier 2; EAC; CE; China RoHS; Class I; IP52; Level VI; LPS; VCCI; PSE; RoHS; Ukraine; WEEE; RCM; CAN ICES-3; Korea (24V Only); CCC;	
	Model No. GT-46240-2412-T3	
	Part No./Ordering No. TR9CE2000MLXG-N(R6B)	Rev A

## POWER SUPPLY INFORMATION

TYPE: Desktop/External  
TECHNOLOGY: Regulated Switchmode AC-DC Power Supply AC Adaptor  
CASE COLOR: GlobTek Black  
NAMEPLATE RATED INPUT: 100-240V~, 50-60 Hz, 0.6 A  
INPUT CONFIG: IEC 60320/C14  
WATTS: 24.0  
VOLTS OUT: 12  
CURRENT OUT (Amps): 2.0  
BLADE/CORD INCLUDED: N/A  
BLADE/CORD INSTALLED: N/A  
INGRESS PROTECTION: Indoor Use  
GROUNDING CONFIGURATION: (E1) Earthed output  
EFFICIENCY LEVEL: VI  
OUTPUT CONFIGURATION: 1830 + 150 - 0 mm, 22/4 Cond, UL 2464, MOLEX P/N:43025-0600 Micro-fit 3.0 (6) circuit connector housing with 6X Molex P/N: 43030-0001 Female terminal or Equal with overmold, Ferrite: None, GlobTek Black, GT Cord # C0579  
CONNECTOR PIN OUT: Pins 1, 2: DC COM, Pins 3, 5, 6: +V, Pins 4,: No connection  
LABEL SPECS: Standard GT,L-1186  
SPECIAL BARCODE LABEL  
MATERIAL:  
PACK SPEC: Standard DT, Individually Box  
USER MANUAL:

Notes/Modifications/Customizations (notes in this section supersede the values shown in the standard spec):

DIMENSIONS ARE IN MM UNLESS SPECIFIED OTHERWISE.

### PROPRIETARY INFORMATION

PROPRIETARY OF GLOBTEK, INC. ANY REPRODUCTION, DISCLOSURE OR USE OF THIS DRAWING, IN WHOLE OR IN PART, IS HEREBY PROHIBITED EXCEPT AS SPECIFIED IN WRITING BY GLOBTEK, INC. © GlobTek, Inc. 2017 - 2019  
quest /09/19/2019 11:12:46 PM CLONED FROM TR9CE1500MLX-N(RVB)

GloBtek, Inc. www.globtek.com 186 Veterans Drive, Northvale, NJ 07647 Tel. (201) 784-1000 Fax (201) 784-0111	Drawing Title: GT-46240-2412-T3, ITE Power Supply, Efficiency Level: VI, Case Color/Style: GlobTek Black, Desktop/External, Regulated Switchmode AC-DC Power Supply AC Adaptor, Input Rating: 100-240V~, 50-60 Hz, IEC 60320/C14 , Output Rating: 24W, 12V@2.0A, Output Configuration: 1830 + 150 - 0 mm, 22/4 Cond, UL 2464, MOLEX P/N:43025-0600 Micro-fit 3.0 (6) circuit connector housing with 6X Molex P/N: 43030-0001 Female terminal or Equal with overmold, Ferrite: None, GlobTek Black, GT Cord # C0579, Pin Out: Pins 1, 2: DC COM, Pins 3, 5, 6: +V, Pins 4,; No connection, Blades/Input Cord: Not Applicable, Approvals: India; cULus; S-Mark 60950; 230V CoC Tier 2; EAC; CE; China RoHS; Class I; IP52; Level VI; LPS; VCCI; PSE; RoHS; Ukraine; WEEE; RCM; CAN ICES-3; Korea (24V Only); CCC;	
	Model No. GT-46240-2412-T3	
	Part No./Ordering No. TR9CE2000MLXG-N(R6B)	Rev A

## ELECTRICAL SPECIFICATIONS

### A) ELECTRICAL SPECIFICATIONS:

01. Input Voltage: Specified 90-264 Vac, Nameplate rated: 100-240Vac
02. Input Frequency: Specified 47-63 Hz, Nameplate rated 50-60Hz
03. Inrush Current: 50A Max. at 115VAC cold start, 100A Max. at 230VAC cold start
04. Average Efficiency: 86.2% Min (CEC & DOE LEVEL VI Compliant); 86.8% Min (ErP European Commission's Ecodesign Directive (2005/32/EC) / CoC Tier 2 Compliant)
05. Input Power(no load): <0.1W (CEC &DOE Level VI Compliant); <0.075W ErP European Commission's Ecodesign Directive (2005/32/EC) / CoC Tier 2 Compliant)
06. Output Voltage tolerance:  $\pm 5\%$
07. Load regulation:  $\pm 5\%$
08. Output Voltage: Tolerance  $\pm 5\%$
09. Turn On Delay: 3000 mS MAX at 115 VAC Full Load
10. Hold Up Time: 10 mS Min at 100 VAC Full Load
11. Ripple and Noise (Vp-p): 100 mVp-p maximum, At 20 MHz, and output parallel with 0.1uF & 47uF capacitors to ground. Temperature at 25 °C, and nominal input voltage

### B) PROTECTION

01. Over voltage protection: protection zener
02. Short circuit protection: Output shut down and auto- recover
03. Over Load Protection: Output shut down and auto restart

### C) SAFETY

01. HI-POT : Input to output : 1500VAC or 2121VDC 10mA 1 minute
02. Earth Leakage Current: <3.5 mA at 240Vac input voltage
03. Insulation resistance: Input to output: 500vdc to test the input to output resistance not be less 100M ohm
04. Earth continuity test:<0.1 Ohm or < 0.2 Ohm when with a non-detachable Power Supply cord, Class I Only

### D) OTHER:

01. MTBF: 200,000 Hours @ 25°C ambient temperature
02. Operating Temperature: 0°C to 40°C ambient temperature
03. Humidity Operating : 20% to 80%. 0% to 90% relative humidity
04. Storage Temperature: -10°C to 70°C  
Humidity Storage: 10% to 90%
05. RoHS 2: Complies with EU 2011/65/EU and China SJ/T 11364-2014

### E) ENCLOSURE

01. Housing: High impact plastic, 94V0 polycarbonate, non-vented
02. Size: 80.6\*50.0\*31.0 +/-1.0 mm
03. Markings: Label and/or Pad Printed and/or Molded in the case

INGRESS PROTECTION: Indoor Use

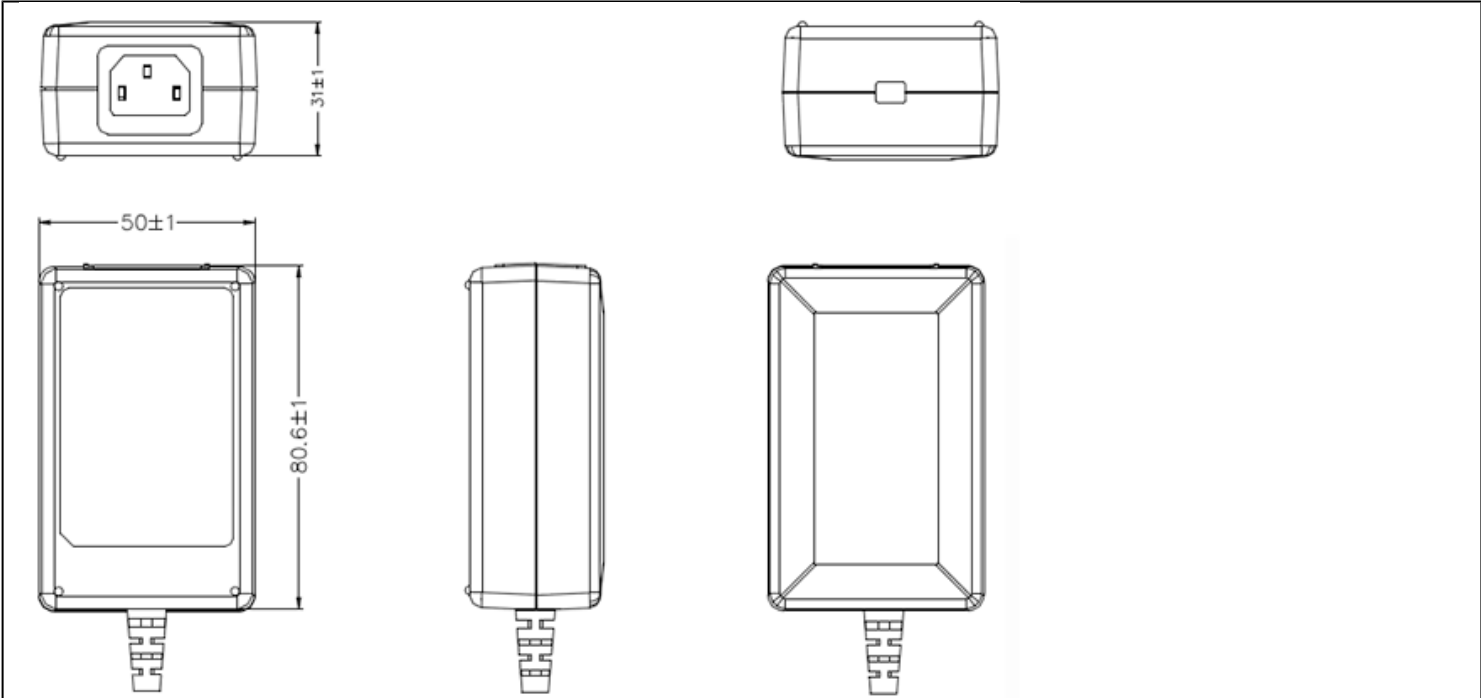
#### PROPRIETARY INFORMATION

PROPRIETARY OF GLOBTEK, INC. ANY REPRODUCTION, DISCLOSURE OR USE OF THIS DRAWING, IN WHOLE OR IN PART, IS HEREBY PROHIBITED EXCEPT AS SPECIFIED IN

WRITING BY GLOBTEK, INC. © GlobTek, Inc. 2017 - 2019

quest/09/19/2019 11:12:46 PM CLONED FROM TR9CE1500MLX-N(RVB)

<p>GlobTek, Inc.  www.globtek.com  186 Veterans Drive,  Northvale, NJ 07647  Tel. (201) 784-1000  Fax (201) 784-0111</p>	<p>Drawing Title: GT-46240-2412-T3, ITE Power Supply, Efficiency Level: VI, Case Color/Style: GlobTek Black, Desktop/External, Regulated Switchmode AC-DC Power Supply AC Adaptor, Input Rating: 100-240V~, 50-60 Hz, IEC 60320/C14, Output Rating: 24W, 12V@2.0A, Output Configuration: 1830 + 150 - 0 mm, 22/4 Cond, UL 2464, MOLEX P/N:43025-0600 Micro-fit 3.0 (6) circuit connector housing with 6X Molex P/N: 43030-0001 Female terminal or Equal with overmold, Ferrite: None, GlobTek Black, GT Cord # C0579, Pin Out: Pins 1, 2: DC COM, Pins 3, 5, 6: +V, Pins 4,; No connection, Blades/Input Cord: Not Applicable, Approvals: India; cULus; S-Mark 60950; 230V CoC Tier 2; EAC; CE; China RoHS; Class I; IP52; Level VI; LPS; VCCI; PSE; RoHS; Ukraine; WEEE; RCM; CAN ICES-3; Korea (24V Only); CCC;</p>	
	<p>Model No. GT-46240-2412-T3</p>	
	<p>Part No./Ordering No. TR9CE2000MLXG-N(R6B)</p>	<p>Rev A</p>



DERATING CURVE

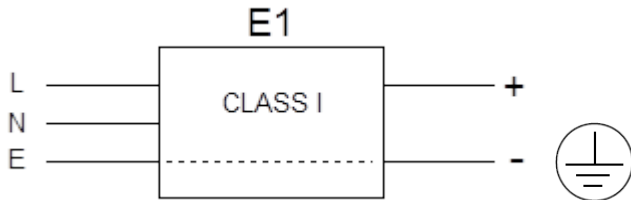
<p>GlobTek, Inc.  www.globtek.com  186 Veterans Drive,  Northvale, NJ 07647  Tel. (201) 784-1000  Fax (201) 784-0111</p>	<p>Drawing Title: GT-46240-2412-T3, ITE Power Supply, Efficiency Level: VI, Case Color/Style: GlobTek Black, Desktop/External, Regulated Switchmode AC-DC Power Supply AC Adaptor, Input Rating: 100-240V~, 50-60 Hz, IEC 60320/C14 , Output Rating: 24W, 12V@2.0A, Output Configuration: 1830 + 150 - 0 mm, 22/4 Cond, UL 2464, MOLEX P/N:43025-0600 Micro-fit 3.0 (6) circuit connector housing with 6X Molex P/N: 43030-0001 Female terminal or Equal with overmold, Ferrite: None, GlobTek Black, GT Cord # C0579, Pin Out: Pins 1, 2: DC COM, Pins 3, 5, 6: +V, Pins 4,: No connection, Blades/Input Cord: Not Applicable, Approvals: India; cULus; S-Mark 60950; 230V CoC Tier 2; EAC; CE; China RoHS; Class I; IP52; Level VI; LPS; VCCI; PSE; RoHS; Ukraine; WEEE; RCM; CAN ICES-3; Korea (24V Only); CCC;</p>	
	<p>Model No. GT-46240-2412-T3</p>	
	<p>Part No./Ordering No. TR9CE2000MLXG-N(R6B)</p>	<p>Rev A</p>



GlobTek, Inc. www.globtek.com 186 Veterans Drive, Northvale, NJ 07647 Tel. (201) 784-1000 Fax (201) 784-0111	Drawing Title: GT-46240-2412-T3, ITE Power Supply, Efficiency Level: VI, Case Color/Style: GlobTek Black, Desktop/External, Regulated Switchmode AC-DC Power Supply AC Adaptor, Input Rating: 100-240V~, 50-60 Hz, IEC 60320/C14 , Output Rating: 24W, 12V@2.0A, Output Configuration: 1830 + 150 - 0 mm, 22/4 Cond, UL 2464, MOLEX P/N:43025-0600 Micro-fit 3.0 (6) circuit connector housing with 6X Molex P/N: 43030-0001 Female terminal or Equal with overmold, Ferrite: None, GlobTek Black, GT Cord # C0579, Pin Out: Pins 1, 2: DC COM, Pins 3, 5, 6: +V, Pins 4,; No connection, Blades/Input Cord: Not Applicable, Approvals: India; cULus; S-Mark 60950; 230V CoC Tier 2; EAC; CE; China RoHS; Class I; IP52; Level VI; LPS; VCCI; PSE; RoHS; Ukraine; WEEE; RCM; CAN ICES-3; Korea (24V Only); CCC;	
	Model No. GT-46240-2412-T3	
	Part No./Ordering No. TR9CE200MLXG-N(R6B)	Rev A

## INPUT CONFIGURATION

(E1) Earthed output

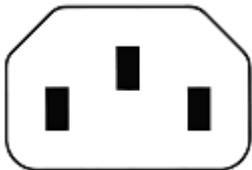


[Alternate grounding configurations](#) available upon request.

Blades/Cord Included:N/A:

Blades/Cord Installed:N/A:

IEC 60320/C14 AC Inlet Connector, Class I, Earth Ground



Mates with IEC 60320/C13 Plug

Optional Locking IEC60320 Receptacle and cord option available on some models by request.:



## [Standard International IEC 320/C13 Cordsets](#)

Below are standard cordsets which are "not included" (unless stated above); these can be purchased separately or packaged with the power supply. Contact your Sales Engineer if the style required is not shown below. Many more available in different lengths, colors or cable material.

## Stock Power Supply Cords

Part Number/ Link	Country	Plug	Termination	Length (mm)	(Ft)
<a href="#">3021457F701(R)</a>	N. American (Type B)	NEMA 5-15P	IEC 320/C13	2150	7

PROPRIETARY INFORMATION

PROPRIETARY OF GLOBTEK, INC. ANY REPRODUCTION, DISCLOSURE OR USE OF THIS DRAWING, IN WHOLE OR IN PART, IS HEREBY PROHIBITED EXCEPT AS SPECIFIED IN WRITING BY GLOBTEK, INC. © GlobTek, Inc. 2017 - 2019

Page 6 of 12

quest /09/19/2019 11:12:46 PM CLONED FROM TR9CE1500MLX-N(RVB)

GloTek, Inc. www.globtek.com 186 Veterans Drive, Northvale, NJ 07647 Tel. (201) 784-1000 Fax (201) 784-0111	Drawing Title: GT-46240-2412-T3, ITE Power Supply, Efficiency Level: VI, Case Color/Style: GlobTek Black, Desktop/External, Regulated Switchmode AC-DC Power Supply AC Adaptor, Input Rating: 100-240V~, 50-60 Hz, IEC 60320/C14, Output Rating: 24W, 12V@2.0A, Output Configuration: 1830 + 150 - 0 mm, 22/4 Cond, UL 2464, MOLEX P/N:43025-0600 Micro-fit 3.0 (6) circuit connector housing with 6X Molex P/N: 43030-0001 Female terminal or Equal with overmold, Ferrite: None, GlobTek Black, GT Cord # C0579, Pin Out: Pins 1, 2: DC COM, Pins 3, 5, 6: +V, Pins 4,; No connection, Blades/Input Cord: Not Applicable, Approvals: India; cULus; S-Mark 60950; 230V CoC Tier 2; EAC; CE; China RoHS; Class I; IP52; Level VI; LPS; VCCI; PSE; RoHS; Ukraine; WEEE; RCM; CAN ICES-3; Korea (24V Only); CCC;	
	Model No. GT-46240-2412-T3	
	Part No./Ordering No. TR9CE2000MLXG-N(R6B)	Rev A

<a href="#">1191068F0701(R)</a>	N. American (Type B)	NEMA 5-15P Hospital	IEC 320/C13	2459	8
<a href="#">2194272M5701-T(R)</a>	Argentina (Type I)	IRAM 2073	IEC 320/C13	2500	8
<a href="#">5502022M5701A(R)</a>	Australian (Type I)	AS3112 / 3 PRONG	IEC 320/C13	2500	8
<a href="#">204B4272M5701(R)</a>	Brazil (Type N)	BRAZIL	IEC 320/C13	2500	8
<a href="#">6023602M5701(R)</a>	China (Type I)	CCC GR2099	IEC 320/C13	2500	8
<a href="#">G8014272M5701(R)</a>	Danish (Type K)	AFSNIT SECTION 107-2-D1	IEC 320/C13	2500	8
<a href="#">23144272M5701-T(R)</a>	Europe (Type E)	CEE 7/7	IEC 320/C13	2500	8
<a href="#">205IN4272M5701(R)</a>	India (Type D)	India IS 1293 (also known as IA16A3 or BS546)	IEC 320/C13	2500	8
<a href="#">208IN4272M5701(R)</a>	India (Type M)	India IS 1293 (also known as IA16A3 or BS546)	IEC320/C13	2500	8
<a href="#">377C4272M5701(R)</a>	Israel (Type H)	ISL 377C	IEC 320/C13	2500	8
<a href="#">23024272M5701(R)</a>	Italy (Type L)	CEI 23-16/VII	IEC 320/C13	2500	8
<a href="#">3003339F701(R)</a> [3x1.25mm2]	Japan (Type B)	JIS 8303 / 3 PINS	IEC 320/C13	2500	8
<a href="#">3003068F2701-HK(R)</a> [3 x 2.0mm2]					
<a href="#">302J115J6F0701J(R)</a>	Japan / North America (Type B – 12A)	JIS 8303 / 3 PINS and NEMA 5-15P (PSE and UL/CUL appr)	IEC 320/C13	1830	6
<a href="#">302J104J6F0701J(R)</a>	Japan / North America (Type B – 15A)	JIS 8303 / 3 PINS and NEMA 5-15P (PSE and UL/CUL appr)	IEC 320/C13	1830	6
<a href="#">2313K3432M5701(R)</a>	Korea (Type F)	KS C 8305	IEC 320/C13	2500	8
<a href="#">5804272M5701(R)</a>	Russia (Type F)	GOST 7396	IEC 320/C13	2500	8
<a href="#">2084272M5701(R)</a>	South Africa (Type M)	South Africa SABS164-1 (16A type)	IEC 320/C13	2500	8
<a href="#">23214272M5701(R)</a>	Switzerland (Type J)	SEV 1011	IEC 320/C13	2500	8
<a href="#">3003322M5701(R)</a>	Taiwan (Type B)	BSMI	IEC 320/C13	2500	8
<a href="#">PZ0800100-2M5BK13H(R)</a>	UK, Hong Kong, Singapore, Gulf States (Type G)	BS 1363A	IEC 320/C13	2500	8
<a href="#">7055002M5701A(R)</a>	International	IEC 320 C14-C13	IEC 320/C13	2500	8

GloBtek, Inc. www.globtek.com 186 Veterans Drive, Northvale, NJ 07647 Tel. (201) 784-1000 Fax (201) 784-0111	Drawing Title: GT-46240-2412-T3, ITE Power Supply, Efficiency Level: VI, Case Color/Style: GloBtek Black, Desktop/External, Regulated Switchmode AC-DC Power Supply AC Adaptor, Input Rating: 100-240V~, 50-60 Hz, IEC 60320/C14 , Output Rating: 24W, 12V@2.0A, Output Configuration: 1830 + 150 - 0 mm, 22/4 Cond, UL 2464, MOLEX P/N:43025-0600 Micro-fit 3.0 (6) circuit connector housing with 6X Molex P/N: 43030-0001 Female terminal or Equal with overmold, Ferrite: None, GloBtek Black, GT Cord # C0579, Pin Out: Pins 1, 2: DC COM, Pins 3, 5, 6: +V, Pins 4,,: No connection, Blades/Input Cord: Not Applicable, Approvals: India; cULus; S-Mark 60950; 230V CoC Tier 2; EAC; CE; China RoHS; Class I; IP52; Level VI; LPS; VCCI; PSE; RoHS; Ukraine; WEEE; RCM; CAN ICES-3; Korea (24V Only); CCC;	
	Model No. GT-46240-2412-T3	
	Part No./Ordering No. TR9CE2000MLXG-N(R6B)	Rev A

**OUTPUT CORD AND CONNECTOR: MOL6\_1/C0579**

ACTUAL CONNECTORS, OVERMOLDS, FERRITES MAY VARY SLIGHTLY FROM THE PICTURE BELOW

CABLE TYPE	UL 2464
CABLE LENGTH (mm)	1830 + 150 - 0
CABLE TOLERANCE (mm)	+150-0
WIRE GAUGE (AWG)	22
CONDUCTORS	4
HANK DIMENSION (mm)	80 +/-10
CABLE / CONNECTOR OVERMOLD COLOR	GloBtek Black
FERRITE TYPE / DIMENSION	None
FERRITE # OF TURNS <a href="#">(Definition)</a>	N/A
FERRITE DIMENSION FROM STRAIN RELIEF	N/A
FERRITE DIMENSION FROM PLUG	N/A

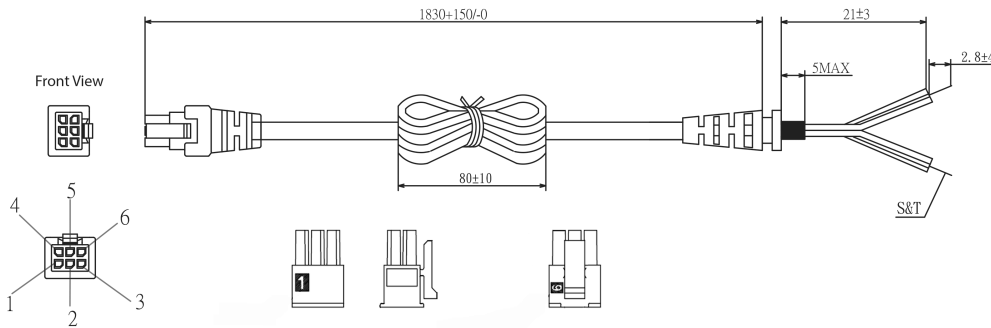
PLUG TYPE MOLEX P/N:43025-0600 Micro-fit 3.0 (6) circuit connector housing with 6X Molex P/N: 43030-0001 Female terminal or Equal with overmold

OUTPUT CONNECTOR SEX  
OVERMOLDED

OVER MOLD ORIENTATION Mechanically Attached Connector

CONNECTOR PIN OUT:  
Pins 1, 2: DC COM,  
Pins 3, 5, 6: +V,  
Pins 4,,: No connection

**ADDITIONAL REQUIREMENTS**



ADDITIONAL OUTPUT PLUG OPTIONS ARE AVAILABLE AT <https://www.globtek.com/connectors/>  
STANDARD PLUGS AND CONNECTORS CAN BE SEEN ONLINE AT <https://www.globtek.com/connectors/>

**PROPRIETARY INFORMATION**

PROPRIETARY OF GLOBTEK, INC. ANY REPRODUCTION, DISCLOSURE OR USE OF THIS DRAWING, IN WHOLE OR IN PART, IS HEREBY PROHIBITED EXCEPT AS SPECIFIED IN WRITING BY GLOBTEK, INC. © GloBtek, Inc. 2017 - 2019  
quest /09/19/2019 11:12:46 PM CLONED FROM TR9CE1500MLX-N(RVB)



GlobTek, Inc. www.globtek.com 186 Veterans Drive, Northvale, NJ 07647 Tel. (201) 784-1000 Fax (201) 784-0111	Drawing Title: GT-46240-2412-T3, ITE Power Supply, Efficiency Level: VI, Case Color/Style: GlobTek Black, Desktop/External, Regulated Switchmode AC-DC Power Supply AC Adaptor, Input Rating: 100-240V~, 50-60 Hz, IEC 60320/C14, Output Rating: 24W, 12V@2.0A, Output Configuration: 1830 + 150 - 0 mm, 22/4 Cond, UL 2464, MOLEX P/N:43025-0600 Micro-fit 3.0 (6) circuit connector housing with 6X Molex P/N: 43030-0001 Female terminal or Equal with overmold, Ferrite: None, GlobTek Black, GT Cord # C0579, Pin Out: Pins 1, 2: DC COM, Pins 3, 5, 6: +V, Pins 4,; No connection, Blades/Input Cord: Not Applicable, Approvals: India; cULus; S-Mark 60950; 230V CoC Tier 2; EAC; CE; China RoHS; Class I; IP52; Level VI; LPS; VCCI; PSE; RoHS; Ukraine; WEEE; RCM; CAN ICES-3; Korea (24V Only); CCC;	
	Model No. GT-46240-2412-T3	
	Part No./Ordering No. TR9CE2000MLXG-N(R6B)	Rev A

LABEL:L-1186

LABEL P/N: Standard GT  
 MATERIAL: Flat Thermal Transfer, Imprintable, Polyester Label and/or Pad Printed and/or Molded, and/or Laser Engraved in the case  
 BACKGROUND COLOR: Black if housing is Black, White or Silver if housing is White or Gray.  
 TEXT COLOR: White or Silver if label is Black Background for Black housing. Black if label is White or Silver background and Housing is White or Gray  
 LABEL WIDTH (mm): 59.6  
 LABEL HEIGHT (mm): 39.6  
 SPECIAL BARCODE LABEL  
 MATERIAL:

Below is the minimum information which will appear on the label. NOTE: in the logo area additional/actual positioning of symbols and text is subjected to change as per agency updates/requirements or additional model approvals become available.  
 Regulatory certifications/label markings may be in logo area on the label or molded into the case housing outside the label area.  
 Information will be shown via label and/or pad printed and/or molded and/or laser engraved in the case. \* Date code markings at GlobTek option.



A=ITE Power Supply  
 B=P/N: (料号) TR9CE2000MLXG-N(R6B)  
 C=Model (型号) GT-46240-2412-T3  
 D=Input (输入) 100-240V~, 50-60 Hz, 0.6 A  
 E=Output (输出) 12 V  $\equiv$  2.0 A, 24.0W

GloBtek, Inc. www.globtek.com 186 Veterans Drive, Northvale, NJ 07647 Tel. (201) 784-1000 Fax (201) 784-0111	Drawing Title: GT-46240-2412-T3, ITE Power Supply, Efficiency Level: VI, Case Color/Style: GloBtek Black, Desktop/External, Regulated Switchmode AC-DC Power Supply AC Adaptor, Input Rating: 100-240V~, 50-60 Hz, IEC 60320/C14 , Output Rating: 24W, 12V@2.0A, Output Configuration: 1830 + 150 - 0 mm, 22/4 Cond, UL 2464, MOLEX P/N:43025-0600 Micro-fit 3.0 (6) circuit connector housing with 6X Molex P/N: 43030-0001 Female terminal or Equal with overmold, Ferrite: None, GloBtek Black, GT Cord # C0579, Pin Out: Pins 1, 2: DC COM, Pins 3, 5, 6: +V, Pins 4,; No connection, Blades/Input Cord: Not Applicable, Approvals: India; cULus; S-Mark 60950; 230V CoC Tier 2; EAC; CE; China RoHS; Class I; IP52; Level VI; LPS; VCCI; PSE; RoHS; Ukraine; WEEE; RCM; CAN ICES-3; Korea (24V Only); CCC;	
	Model No. GT-46240-2412-T3	
	Part No./Ordering No. TR9CE2000MLXG-N(R6B)	Rev A

AGENCY ONLINE DOCUMENTS

CE EC-Declaration for Medical

<http://www.globtek.info/certs/GT-46240-24VV-x.x-TZ/>

[Contact GloBtek for more information](#)

CE EC-Declaration for Industrial/Commercial/ITE

[http://globtek.force.com/models/ec\\_declaration?id=a0Oa000000MjLiqEAF](http://globtek.force.com/models/ec_declaration?id=a0Oa000000MjLiqEAF)

CE EC-Declaration for Household

[Contact GloBtek for more information](#)

RoHS/RoHS3 Declaration

[https://www.globtek.com/pdf/rohs\\_cert/01t0c000006HoEdAAK](https://www.globtek.com/pdf/rohs_cert/01t0c000006HoEdAAK)

REACH Declaration

[https://www.globtek.com/pdf/iso\\_certificates/REACH.pdf](https://www.globtek.com/pdf/iso_certificates/REACH.pdf)

Conflict Minerals Declaration

<https://www.globtek.com/pdf/conflict-minerals.pdf>

IPXY rating is based on 3rd party testing and customers should check suitability and test system level IPXY rating before ordering.

## Regulatory Certifications/Label Markings

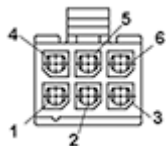
LATEST PRODUCT/MODEL CERTIFICATIONS: <http://en.globtek.com/datasheet/id/a0Oa000000MjLiq>

AGENCY ONLINE DOCUMENTS:

<http://www.globtek.info/certs/GT-46240-24VV-x.x-TZ/>



(E1) Earthed output



Pins 1, 2: DC COM,

Pins 3, 5, 6: +V,

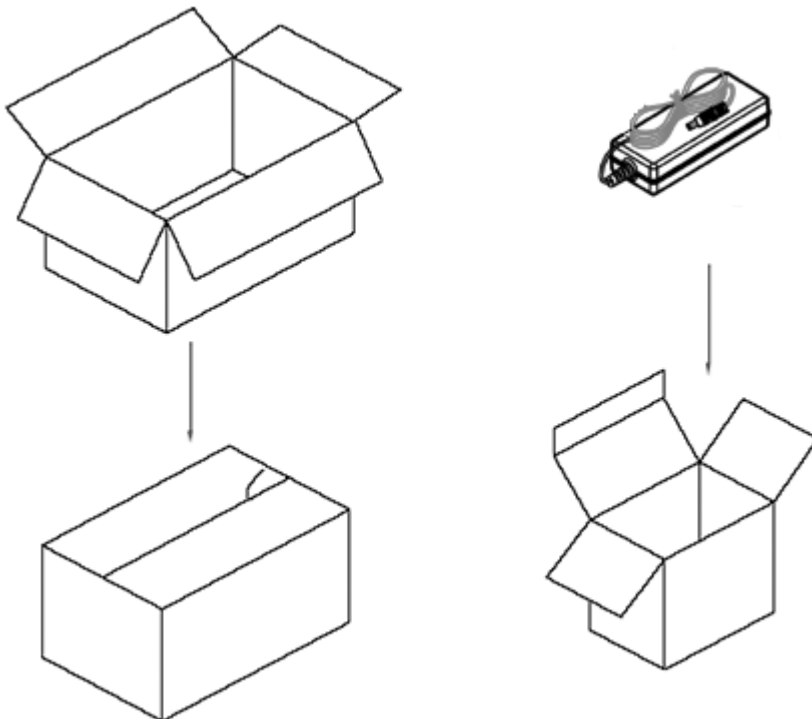
Pins 4,; No connection

GlobTek, Inc. www.globtek.com 186 Veterans Drive, Northvale, NJ 07647 Tel. (201) 784-1000 Fax (201) 784-0111	Drawing Title: GT-46240-2412-T3, ITE Power Supply, Efficiency Level: VI, Case Color/Style: GlobTek Black, Desktop/External, Regulated Switchmode AC-DC Power Supply AC Adaptor, Input Rating: 100-240V~, 50-60 Hz, IEC 60320/C14 , Output Rating: 24W, 12V@2.0A, Output Configuration: 1830 + 150 - 0 mm, 22/4 Cond, UL 2464, MOLEX P/N:43025-0600 Micro-fit 3.0 (6) circuit connector housing with 6X Molex P/N: 43030-0001 Female terminal or Equal with overmold, Ferrite: None, GlobTek Black, GT Cord # C0579, Pin Out: Pins 1, 2: DC COM, Pins 3, 5, 6: +V, Pins 4,; No connection, Blades/Input Cord: Not Applicable, Approvals: India; cULus; S-Mark 60950; 230V CoC Tier 2; EAC; CE; China RoHS; Class I; IP52; Level VI; LPS; VCCI; PSE; RoHS; Ukraine; WEEE; RCM; CAN ICES-3; Korea (24V Only); CCC;	
	Model No. GT-46240-2412-T3	
	Part No./Ordering No. TR9CE2000MLXG-N(R6B)	Rev A

## PACKAGING

Packing Spec P/N:	Standard DT, Individually Box
Box Qty:	50
Gift Box Size (mm):	110*57*70
Gift Box Color:	White
Master Carton Size (mm):	368 x 238 x 310
Master Carton Cubic Volume (m <sup>3</sup> ):	0.03
Master GW (Kg):	15.6 kg
BLADES INCLUDED:	N/A:
BLADE/CORD INSTALLED:	N/A:
USER MANUAL:	
USER MANUAL WEB LINK:	

If specific packaging is required, this section must specify all requirements and note "no exceptions". If this section does not specify packaging, it is subject to change without notice at GlobTek's discretion



## PROPRIETARY INFORMATION

GlobTek, Inc. www.globtek.com 186 Veterans Drive, Northvale, NJ 07647 Tel. (201) 784-1000 Fax (201) 784-0111	Drawing Title: GT-46240-2412-T3, ITE Power Supply, Efficiency Level: VI, Case Color/Style: GlobTek Black, Desktop/External, Regulated Switchmode AC-DC Power Supply AC Adaptor, Input Rating: 100-240V~, 50-60 Hz, IEC 60320/C14 , Output Rating: 24W, 12V@2.0A, Output Configuration: 1830 + 150 - 0 mm, 22/4 Cond, UL 2464, MOLEX P/N:43025-0600 Micro-fit 3.0 (6) circuit connector housing with 6X Molex P/N: 43030-0001 Female terminal or Equal with overmold, Ferrite: None, GlobTek Black, GT Cord # C0579, Pin Out: Pins 1, 2: DC COM, Pins 3, 5, 6: +V, Pins 4,; No connection, Blades/Input Cord: Not Applicable, Approvals: India; cULus; S-Mark 60950; 230V CoC Tier 2; EAC; CE; China RoHS; Class I; IP52; Level VI; LPS; VCCI; PSE; RoHS; Ukraine; WEEE; RCM; CAN ICES-3; Korea (24V Only); CCC;	
	Model No. GT-46240-2412-T3	
	Part No./Ordering No. TR9CE2000MLXG-N(R6B)	Rev A

## INSTRUCTIONS TO THE OEM SYSTEMS ENGINEER

It is the responsibility of the OEM systems engineer to provide the end system user instructions and warnings for the use of this product in the end system.

If an input cord is required for this product, AC Mains voltage should be provided to the power supply by a power supply cord approved to the national standards of the country in which it will be used.

This power supply is not designed to be repaired. No serviceable parts inside. A blown internal fuse is an indication of catastrophic failure of circuit component(s). If a Failure Analysis is required for a failed power supply/battery charger, please return the damaged unit to Globtek for an accurate determination of the root cause of the failure.

EMC Compliance of the complete OEM product, including the GlobTek power supply/battery charger needs to be verified by the OEM systems engineer.

## INSTRUCTION SHEET

N/A