

GlobTek, Inc. www.globtek.com 186 Veterans Drive, Northvale, NJ 07647 Tel. (201) 784-1000 Fax (201) 784-0111	Drawing Title: GTM96605-GEN2-A1-T2, USB Adaptive Power Source ITE/Medical Power supply, Efficiency Level: VI, Case Color/Style: GlobTek Black, Desktop/External, USB Adaptive Power Supply AC Adaptor, Input Rating: 100-240V~, 50-60Hz, IEC 60320/C8 , Output Rating: 60W, 5V, 5.8V, 9V, 12V, 15V, 20VV@4.6A, 4.6A, 4.4A, 4A,3.6A,3AA, Output Configuration: 1500 mm, 2C 20 + 3C 28/5C + Shield Cond, N/A, USB Type-C Connector, Ferrite: None, GlobTek Black, GT Cord # C16294, Pin Out: +V: A4, A9, B4, B9, GND: A1, A12, B1, B12, CC1: A5, D+:A6, D-:A7, Blades/Input Cord: Not Applicable, Approvals: RCM; CE; PSE; WEEE; VCCI; RoHS; China RoHS; Level VI; Double Insulation; EAC; Ukraine; CB 60601-1 2MOPP; CB 60950; CB 62368; CCC; ETL 62368; ETL; cETLus 60601-1 3rd; cETLus 60601; UL 1310; RCM; S-Mark 60950; S-Mark IEC/EN 60601-1;	
	Model No. GTM96605-GEN2-A1-T2	
	Part No./Ordering No. TR9KZ3000USBCFG2R6B	Rev F

REVISION HISTORY

REV	DESCRIPTION	SUB	DATE	APPROVED
F	Update approvals		06/11/2018	QA
E	Change Adaptive Power USB Source, ITE/Medical to USB Adaptive Power Source ITE/Medical Power supply		05/22/2018	QA
D	Update Volts Out(V) to 5V,5.8V,9V,12V,15V,20V and Current to 4.6A, 4.6A, 4.4A, 4A,3.6A,3A		05/08/2018	QA
C	Updated engineering specification for this model		03/29/2018	QA
B	Change part number from TR9KZ3000USBCGEN2R6B to TR9KZ3000USBCFG2R6B		01/15/2018	QA
A	Initial release		11/01/2017	QA

In Addition to GlobTek Inc.'s renewed ISO9001:2015 - Quality Management System Certification, GlobTek Inc. is now certified to:

ISO13485:2016 - Medical Devices Quality Management System Certification
ISO14001:2015 - Environmental Management System Certification

ISO Certificates are available online at <https://www.globtek.com/iso-certificates/>

Customer Approval of Specification:

Please approve, sign and send back to GlobTek so we can complete order processing.

A delay in receipt of this form will delay delivery schedule.

Company Name:

Customer P/N:

Quote Number:

Date:

Authorized Representative Name:

Authorized Representative Signature:

The acceptance of this specification and use of the product described in this document indicates the acceptance and binding of the customer to Globtek terms and conditions, which supersede all other agreements, terms, and conditions (<https://en.globtek.com/terms-and-conditions/>).

Footnote:

GlobTek Inc. will not be liable for the safety and performance of these power supplies if unauthorized access and repair occurs. End user should consult applicable UL, CSA or EN standards for proper installation instruction.

Limitation of Use:

GlobTek products are intended for use with commercial, medical, and/or industrial equipment only. GlobTek product are not authorized for use as mission critical components in life support hazardous environment, nuclear or aircraft applications without prior written approval from the CEO of GlobTek Inc.
Contents of this document are subject to change without prior notice.

GlobTek, Inc. www.globtek.com 186 Veterans Drive, Northvale, NJ 07647 Tel. (201) 784-1000 Fax (201) 784-0111	Drawing Title: GTM96605-GEN2-A1-T2, USB Adaptive Power Source ITE/Medical Power supply, Efficiency Level: VI, Case Color/Style: GlobTek Black, Desktop/External, USB Adaptive Power Supply AC Adaptor, Input Rating: 100-240V~, 50-60Hz, IEC 60320/C8 , Output Rating: 60W, 5V, 5.8V, 9V, 12V, 15V, 20V@4.6A, 4.6A, 4.4A, 4A,3.6A,3AA, Output Configuration: 1500 mm, 2C 20 + 3C 28/5C + Shield Cond, N/A, USB Type-C Connector, Ferrite: None, GlobTek Black, GT Cord # C16294, Pin Out: +V: A4, A9, B4, B9, GND: A1, A12, B1, B12, CC1: A5, D+:A6, D-:A7, Blades/Input Cord: Not Applicable, Approvals: RCM; CE; PSE; WEEE; VCCI; RoHS; China RoHS; Level VI; Double Insulation; EAC; Ukraine; CB 60601-1 2MOPP; CB 60950; CB 62368; CCC; ETL 62368; ETL; cETLus 60601-1 3rd; cETLus 60601; UL 1310; RCM; S-Mark 60950; S-Mark IEC/EN 60601-1;	
	Model No. GTM96605-GEN2-A1-T2	
	Part No./Ordering No. TR9KZ3000USBCFG2R6B	Rev F

POWER SUPPLY INFORMATION

TYPE: Desktop/External
TECHNOLOGY: USB Adaptive Power Supply AC Adaptor
CASE COLOR: GlobTek Black
NAMEPLATE RATED INPUT: 100-240V~, 50-60Hz, 1.5A
INPUT CONFIG: IEC 60320/C8
WATTS: 60.0
VOLTS OUT: 5V, 5.8V, 9V, 12V, 15V, 20V
CURRENT OUT (Amps): 4.6A, 4.6A, 4.4A, 4A,3.6A,3A
BLADE/CORD INCLUDED: N/A
BLADE/CORD INSTALLED: N/A
INGRESS PROTECTION:
GROUNDING CONFIGURATION: (F1) Class II / Double Insulated
EFFICIENCY LEVEL: VI
OUTPUT CONFIGURATION: 1500 mm, 2C 20 + 3C 28/5C + Shield Cond, N/A, USB Type-C Connector, Ferrite: None, GlobTek Black, GT Cord # C16294
OVERMOLDED: Yes
CONNECTOR PIN OUT: +V: A4, A9, B4, B9, GND: A1, A12, B1, B12, CC1: A5, D+:A6, D-:A7
LABEL SPECS: Standard GT,L-1186
SPECIAL BARCODE LABEL
MATERIAL:
PACK SPEC: Standard DT, Cellular packaging, User manual
USER MANUAL: 809-DESKTOPUSERMANUAL on A4 paper

Notes/Modifications/Customizations (notes in this section supersede the values shown in the standard spec):

DIMENSIONS ARE IN MM UNLESS SPECIFIED OTHERWISE.

PROPRIETARY INFORMATION

PROPRIETARY OF GLOBTEK, INC. ANY REPRODUCTION, DISCLOSURE OR USE OF THIS DRAWING, IN WHOLE OR IN PART, IS HEREBY PROHIBITED EXCEPT AS SPECIFIED IN WRITING BY GLOBTEK, INC. © GlobTek, Inc. 2017 - 2019

GlobTek, Inc. www.globtek.com 186 Veterans Drive, Northvale, NJ 07647 Tel. (201) 784-1000 Fax (201) 784-0111	Drawing Title: GTM96605-GEN2-A1-T2, USB Adaptive Power Source ITE/Medical Power supply, Efficiency Level: VI, Case Color/Style: GlobTek Black, Desktop/External, USB Adaptive Power Supply AC Adaptor, Input Rating: 100-240V~, 50-60Hz, IEC 60320/C8, Output Rating: 60W, 5V, 5.8V, 9V, 12V, 15V, 20V@4.6A, 4.6A, 4.4A, 4A,3.6A,3AA, Output Configuration: 1500 mm, 2C 20 + 3C 28/5C + Shield Cond, N/A, USB Type-C Connector, Ferrite: None, GlobTek Black, GT Cord # C16294, Pin Out: +V: A4, A9, B4, B9, GND: A1, A12, B1, B12, CC1: A5, D+:A6, D-:A7, Blades/Input Cord: Not Applicable, Approvals: RCM; CE; PSE; WEEE; VCCI; RoHS; China RoHS; Level VI; Double Insulation; EAC; Ukraine; CB 60601-1 2MOPP; CB 60950; CB 62368; CCC; ETL 62368; ETL; cETLus 60601-1 3rd; cETLus 60601; UL 1310; RCM; S-Mark 60950; S-Mark IEC/EN 60601-1;	
	Model No. GTM96605-GEN2-A1-T2	
	Part No./Ordering No. TR9KZ3000USBCFG2R6B	Rev F

ELECTRICAL SPECIFICATIONS

OUTPUT CAPABILITIES

The following communication formats are supported: USB PD 2.0/3.0, QC 2.0/3.0, QC 4.0/4.0+

Output Parameters (for USB PD 2.0/3.0 applications):

Communications: Using CC1 pin on USB Type-C connector

Initial Output State: 5V/2A

Advertised USB PD Power Data Objects (PDOs):

A1 Option: 5V/4.6A, 5.8V/4.6A, 9V/4.4A, 12V/4A, 15V/3.6A and 20V/3A

A2 Option: 5V/3A, 5.8V/3A, 9V/3A, 12V/3A, 15V/3A and 20V/3A

A1 Option (standard configuration): Permanently attached (captive) output cable: 1.5m Length, 20AWG, shielded, 5A rated Type-C connector

A2 Option (non-standard configuration): Detachable output cable. Contact GlobTek for availability.

Note 1: Custom PDOs available upon request. PDO1 must be 5V. PDO2 through PDO7 may be set to any custom voltage from 3.6V to 20V, with a step size of 100mV.

Note 2: For medical applications (etc.) requiring power supply authentication, USB PD Vendor Defined Messages (VDMs) may be implemented to prevent system usage with non-certified power sources. Contact GlobTek for details and for notes on system implementation.

Output Parameters (for QC2.0/3.0 applications):

Communications: Using D+ and D- pins on the USB Type-C connector

Initial Output State: 5V/2A

HVDCP Class B Output Voltages/Currents rating:

D+	D-	Output
0.6V	GND	5V/4.6A
3.3V	0.6V	9V/4.4A
0.6V	0.6V	12V/4A
3.3V	3.3V	20V/3A
0.6V	3.3V	Continuous Mode, adjusts from 3.6V to 20V in 200mV steps

Permanently attached (captive) output cable: 1.5m Length, 20 AWG, shielded

A) GENERAL ELECTRICAL SPECIFICATIONS

01. Input Voltage: Specified 90-264 Vac, Nameplate rated: 100-240Vac

GloTek, Inc. www.globtek.com 186 Veterans Drive, Northvale, NJ 07647 Tel. (201) 784-1000 Fax (201) 784-0111	Drawing Title: GTM96605-GEN2-A1-T2, USB Adaptive Power Source ITE/Medical Power supply, Efficiency Level: VI, Case Color/Style: GlobTek Black, Desktop/External, USB Adaptive Power Supply AC Adaptor, Input Rating: 100-240V~, 50-60Hz, IEC 60320/C8 , Output Rating: 60W, 5V, 5.8V, 9V, 12V, 15V, 20VV@4.6A, 4.6A, 4.4A, 4A,3.6A,3AA, Output Configuration: 1500 mm, 2C 20 + 3C 28/5C + Shield Cond, N/A, USB Type-C Connector, Ferrite: None, GlobTek Black, GT Cord # C16294, Pin Out: +V: A4, A9, B4, B9, GND: A1, A12, B1, B12, CC1: A5, D+:A6, D-:A7, Blades/Input Cord: Not Applicable, Approvals: RCM; CE; PSE; WEEE; VCCI; RoHS; China RoHS; Level VI; Double Insulation; EAC; Ukraine; CB 60601-1 2MOPP; CB 60950; CB 62368; CCC; ETL 62368; ETL; cETLus 60601-1 3rd; cETLus 60601; UL 1310; RCM; S-Mark 60950; S-Mark IEC/EN 60601-1;	
	Model No. GTM96605-GEN2-A1-T2	
	Part No./Ordering No. TR9KZ3000USBCFG2R6B	Rev F

90-264 Vac range @ 100% of rated load current

85-264 Vac range @ 85% of rated load current

110-370 VDC range @ 100% of rated load current

02. Input Frequency: Specified 47-63 Hz, Nameplate rated 50-60Hz

03. Output Regulation: +/- 4% measured at the output connector

04. Line Voltage Regulation: +/- 0.5% typical measured at full load

05. Green Power On Indicator LED

06. Output Ripple (Vp-p):100 mV, measured at 20 MHz bandwidth with 0.1 uf ceramic capacitor in parallel with a low impedance 47 uf electrolytic capacitor connected at the end of the output connector

07. Turn-ON/OFF Overshoot: 5% maximum, 1 mS typical recovery time for 40% to 70% step load

08. Turn-ON Delay: 1 second maximum @ full load, nominal line

09. Hold-Up Time: 8 mS typical @ nominal input voltage and full load

10. Inrush Current: 30A/60A maximum cold start @ 115/230Vac input

11. Efficiency: Compliant with Efficiency Level VI and CoC Tier 2 standards

12. No Load Standby Power: <0.075 W @ 230Vac

B) PROTECTIONS

01. Input Protection: Input line fusing and 300Vac MOV

02. Short Circuit/ Overload: Electronically Protected unit will auto recover upon removal of fault

Output Current Limit: 110% to 135% of rated output current

03. Output Over-Voltage: 25Vdc max

C) SAFETY

01. Dielectric Withstand Voltage: 4000Vac or 5656Vdc from input to output,

02. Earth Leakage Current: 3 conductor AC input models < 300uA, N/A for 2 conductor input models

03. Touch Current: 3 conductor AC input models < 20uA, 2 conductor input models < 65uA

04. [Output Isolation Options:](#)

a) C8 Inlet, Class II (Standard)

b) C6 or C14 Inlet, Class II FE, Output Isolated from Earth contact (Standard)

c) C6 or C14 Inlet, Class I, Output directly attached to Earth contact

05. Means of Protection: 2 x MOPP

06. Compliant Standards: See listings at end of this drawing for specifics

D) EMC

EN 60601-1-2, 4th edition

Emissions, per EN 55032, EN 61000-6-3, EN 61000-6-4

Conducted Emissions: Class B, FCC Part 15, Class B

GloTek, Inc. www.globtek.com 186 Veterans Drive, Northvale, NJ 07647 Tel. (201) 784-1000 Fax (201) 784-0111	Drawing Title: GTM96605-GEN2-A1-T2, USB Adaptive Power Source ITE/Medical Power supply, Efficiency Level: VI, Case Color/Style: GlobTek Black, Desktop/External, USB Adaptive Power Supply AC Adaptor, Input Rating: 100-240V~, 50-60Hz, IEC 60320/C8, Output Rating: 60W, 5V, 5.8V, 9V, 12V, 15V, 20VV@4.6A, 4.6A, 4.4A, 4A,3.6A,3AA, Output Configuration: 1500 mm, 2C 20 + 3C 28/5C + Shield Cond, N/A, USB Type-C Connector, Ferrite: None, GlobTek Black, GT Cord # C16294, Pin Out: +V: A4, A9, B4, B9, GND: A1, A12, B1, B12, CC1: A5, D+:A6, D-:A7, Blades/Input Cord: Not Applicable, Approvals: RCM; CE; PSE; WEEE; VCCI; RoHS; China RoHS; Level VI; Double Insulation; EAC; Ukraine; CB 60601-1 2MOPP; CB 60950; CB 62368; CCC; ETL 62368; ETL; cETLus 60601-1 3rd; cETLus 60601; UL 1310; RCM; S-Mark 60950; S-Mark IEC/EN 60601-1;	
	Model No. GTM96605-GEN2-A1-T2	
	Part No./Ordering No. TR9KZ3000USBCFG2R6B	Rev F

Radiated Emissions: Class B, FCC Part 15, Class B

Line Frequency Harmonics EN61000-3-2, Class A

Voltage Fluctuations/Flicker EN61000-3-3

Immunity, per EN 55024, EN 61000-6-1, EN 61000-6-2

Static Discharge Immunity EN61000-4-2, 10kV Contact Discharge, 20kV air discharge

Radiated RF Immunity EN61000-4-3, 10V/m 80-1000MHz, 3V/m 1-2.7GHz, 80% 1KHz AM.

EFT/Burst Immunity EN61000-4-4, 4kV/100kHz.

Line Surge Immunity EN61000-4-5, 2kV differential, 4kV common-mode

Conducted RF Immunity EN61000-4-6, 3Vrms, 80% 1KHz AM

Power Frequency Magnetic Field Immunity EN61000-4-8, 3A/m

Voltage Dip Immunity EN61000-4-11, Criteria

E) OTHER

01. MTBF: 300,000 Hours @ 25°C ambient temperature

02. Operating Temperature:

-10°C to 40°C ambient temperature at full load

-10°C to 50°C ambient temperature with derating to 80% load

03. Operating Humidity: 0% to 95% relative humidity, non-condensing

04. Storage Temperature: -30°C to 80°C

05. Operating Altitude: 5000m

06. ROHS 2: Complies with EU 2011/65/EU and China SJ/T 11363-2006

F) ENCLOSURE

01. Housing: High impact plastic, 94V0 polycarbonate, non-vented

02. Markings: Label or Laser Printed

03. AC Input mechanical options:

Desktop C6, C8, C14 or C18 IEC Inlet.

Hybrid option (Desktop or Wall Plug-in) Class I or Class II input

G) SPECIAL OPTIONS

Non-standard - Contact GlobTek for details

01. Detachable USB-C output cordset

02. Special fixed output cord length, 1m, 2m or 3m lengths

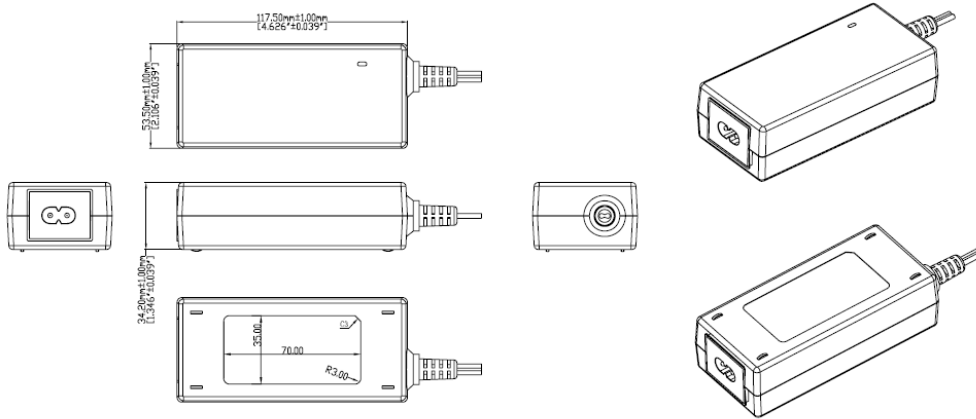
03. Custom markings, and marking methods

04. Special housing colors and cordset colors

05. USB Micro-B connector at end of cordset for QC2.0/3.0 applications.

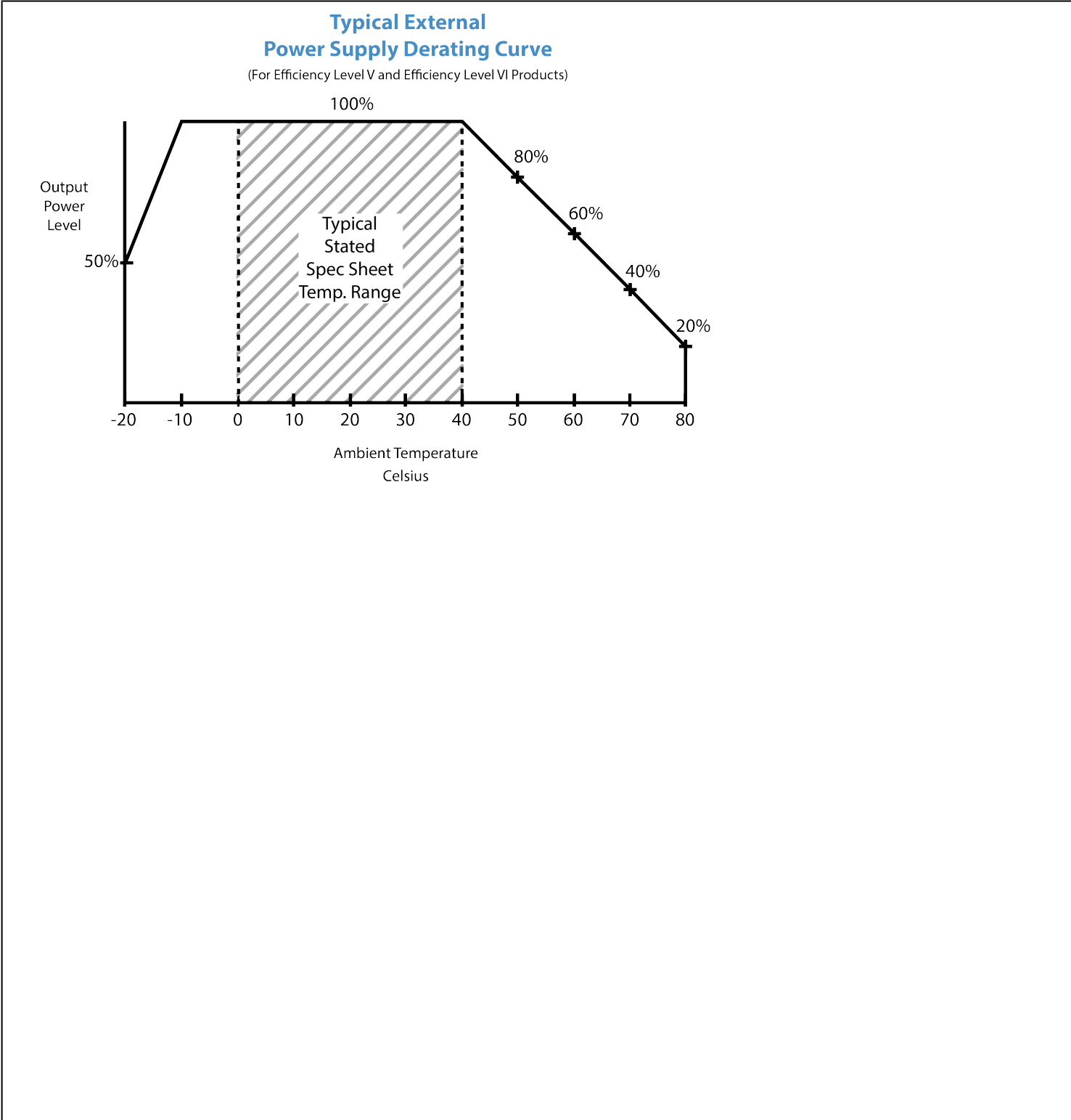
GloTek, Inc. www.globtek.com 186 Veterans Drive, Northvale, NJ 07647 Tel. (201) 784-1000 Fax (201) 784-0111	Drawing Title: GTM96605-GEN2-A1-T2, USB Adaptive Power Source ITE/Medical Power supply, Efficiency Level: VI, Case Color/Style: GlobTek Black, Desktop/External, USB Adaptive Power Supply AC Adaptor, Input Rating: 100-240V~, 50-60Hz, IEC 60320/C8 , Output Rating: 60W, 5V, 5.8V, 9V, 12V, 15V, 20VV@4.6A, 4.6A, 4.4A, 4A,3.6A,3AA, Output Configuration: 1500 mm, 2C 20 + 3C 28/5C + Shield Cond, N/A, USB Type-C Connector, Ferrite: None, GlobTek Black, GT Cord # C16294, Pin Out: +V: A4, A9, B4, B9, GND: A1, A12, B1, B12, CC1: A5, D+ :A6, D-:A7, Blades/Input Cord: Not Applicable, Approvals: RCM; CE; PSE; WEEE; VCCI; RoHS; China RoHS; Level VI; Double Insulation; EAC; Ukraine; CB 60601-1 2MOPP; CB 60950; CB 62368; CCC; ETL 62368; ETL; cETLus 60601-1 3rd; cETLus 60601; UL 1310; RCM; S-Mark 60950; S-Mark IEC/EN 60601-1;	
	Model No. GTM96605-GEN2-A1-T2	
	Part No./Ordering No. TR9KZ3000USBCFG2R6B	Rev F

- 06. Tighter output voltage tolerance
- 07. Custom PD3.0 PDOs: Output voltages selectable between 3.6V and 20V
- 08. Constant current/ constant voltage (CC/CV) battery charging, with max charge duration timer
- 09. USB PD Vendor Defined Messages (VDMs) for power source authentication



DERATING CURVE

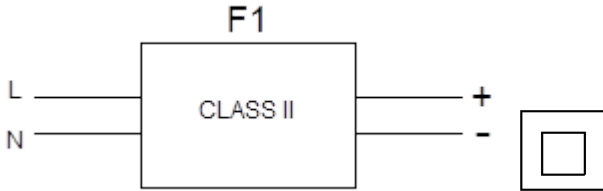
GlobTek, Inc. www.globtek.com 186 Veterans Drive, Northvale, NJ 07647 Tel. (201) 784-1000 Fax (201) 784-0111	Drawing Title: GTM96605-GEN2-A1-T2, USB Adaptive Power Source ITE/Medical Power supply, Efficiency Level: VI, Case Color/Style: GlobTek Black, Desktop/External, USB Adaptive Power Supply AC Adaptor, Input Rating: 100-240V~, 50-60Hz, IEC 60320/C8 , Output Rating: 60W, 5V, 5.8V, 9V, 12V, 15V, 20VV@4.6A, 4.6A, 4.4A, 4A,3.6A,3AA, Output Configuration: 1500 mm, 2C 20 + 3C 28/5C + Shield Cond, N/A, USB Type-C Connector, Ferrite: None, GlobTek Black, GT Cord # C16294, Pin Out: +V: A4, A9, B4, B9, GND: A1, A12, B1, B12, CC1: A5, D+ :A6, D- :A7, Blades/Input Cord: Not Applicable, Approvals: RCM; CE; PSE; WEEE; VCCI; RoHS; China RoHS; Level VI; Double Insulation; EAC; Ukraine; CB 60601-1 2MOPP; CB 60950; CB 62368; CCC; ETL 62368; ETL; cETLus 60601-1 3rd; cETLus 60601; UL 1310; RCM; S-Mark 60950; S-Mark IEC/EN 60601-1;	
	Model No. GTM96605-GEN2-A1-T2	
	Part No./Ordering No. TR9KZ3000USBCFG2R6B	Rev F



GlobTek, Inc. www.globtek.com 186 Veterans Drive, Northvale, NJ 07647 Tel. (201) 784-1000 Fax (201) 784-0111	Drawing Title: GTM96605-GEN2-A1-T2, USB Adaptive Power Source ITE/Medical Power supply, Efficiency Level: VI, Case Color/Style: GlobTek Black, Desktop/External, USB Adaptive Power Supply AC Adaptor, Input Rating: 100-240V~, 50-60Hz, IEC 60320/C8, Output Rating: 60W, 5V, 5.8V, 9V, 12V, 15V, 20VV@4.6A, 4.6A, 4.4A, 4A,3.6A,3AA, Output Configuration: 1500 mm, 2C 20 + 3C 28/5C + Shield Cond, N/A, USB Type-C Connector, Ferrite: None, GlobTek Black, GT Cord # C16294, Pin Out: +V: A4, A9, B4, B9, GND: A1, A12, B1, B12, CC1: A5, D+:A6, D-:A7, Blades/Input Cord: Not Applicable, Approvals: RCM; CE; PSE; WEEE; VCCI; RoHS; China RoHS; Level VI; Double Insulation; EAC; Ukraine; CB 60601-1 2MOPP; CB 60950; CB 62368; CCC; ETL 62368; ETL; cETLus 60601-1 3rd; cETLus 60601; UL 1310; RCM; S-Mark 60950; S-Mark IEC/EN 60601-1;	
	Model No. GTM96605-GEN2-A1-T2	
	Part No./Ordering No. TR9KZ3000USBCFG2R6B	Rev F

INPUT CONFIGURATION

(F1) Class II / Double Insulated

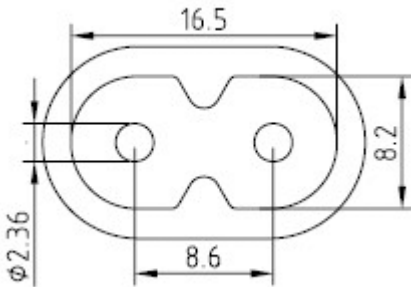


[Alternate grounding configurations](#) available upon request.

Blades/Cord Included:N/A:

Blades/Cord Installed:N/A:

IEC 60320/C8 AC Inlet connector, Class II, Non-Earth Ground (aka "Figure-8")



Mates with IEC 60320/C7 Plug

Below are standard cordsets which are "not included" (unless stated above); these may be purchased separately or packaged with the power supply. Please contact your Sales Engineer if the style required is not shown below. Many more available in different lengths, colors or cable material.

[Standard International IEC 320/C7 Cordsets](#)

2094112M703(R) Argentina (Type I)	IRAM 2063	IEC 320/C7	20007
5014112M703A(R) Australian (Type I)	AS 3112	IEC 320/C7	20007
207B4111M8703(R) Brazil (Type N)	NBR14136	IEC 320/C7	18006
4533501M8703(R) China (Type A)	GB 2099.1	IEC 320/C7	18306
2074112M703A(R) European (Type C)	CEE 7/16	IEC 320/C7	20007
		IEC	

GlobTek, Inc. www.globtek.com 186 Veterans Drive, Northvale, NJ 07647 Tel. (201) 784-1000 Fax (201) 784-0111	Drawing Title: GTM96605-GEN2-A1-T2, USB Adaptive Power Source ITE/Medical Power supply, Efficiency Level: VI, Case Color/Style: GlobTek Black, Desktop/External, USB Adaptive Power Supply AC Adaptor, Input Rating: 100-240V~, 50-60Hz, IEC 60320/C8 , Output Rating: 60W, 5V, 5.8V, 9V, 12V, 15V, 20VV@4.6A, 4.6A, 4.4A, 4A,3.6A,3AA, Output Configuration: 1500 mm, 2C 20 + 3C 28/5C + Shield Cond, N/A, USB Type-C Connector, Ferrite: None, GlobTek Black, GT Cord # C16294, Pin Out: +V: A4, A9, B4, B9, GND: A1, A12, B1, B12, CC1: A5, D+:A6, D-:A7, Blades/Input Cord: Not Applicable, Approvals: RCM; CE; PSE; WEEE; VCCI; RoHS; China RoHS; Level VI; Double Insulation; EAC; Ukraine; CB 60601-1 2MOPP; CB 60950; CB 62368; CCC; ETL 62368; ETL; cETLus 60601-1 3rd; cETLus 60601; UL 1310; RCM; S-Mark 60950; S-Mark IEC/EN 60601-1;	
	Model No. GTM96605-GEN2-A1-T2	
	Part No./Ordering No. TR9KZ3000USBCFG2R6B	Rev F

2084111M8703(R)	India (Type M)	BS 546	320/C7 18006
451J3401M8703(R)	Japan (Type A)	JIS 8303	IEC 18306 320/C7
2044112M703A(R)	Korea (Type C)	KS C8305	IEC 20007 320/C7
4511116F703A(R)	N. American (Type A)	NEMA 1-15P	IEC 18306 320/C7
4033401M8703A(R)	Taiwan (Type A)	CNS690	IEC 18306 320/C7
6104112M703A(R)	UK, Hong Kong, Singapore, Gulf States (Type G)	BS1363	IEC 20007 320/C7

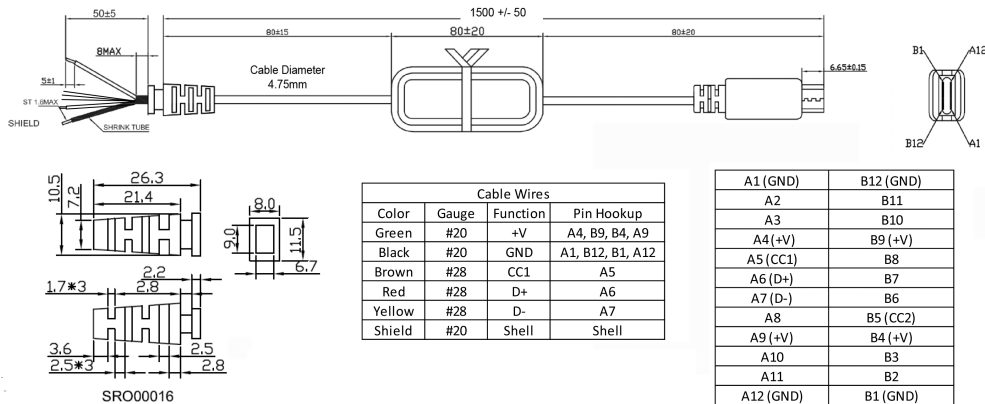
GlobTek, Inc. www.globtek.com 186 Veterans Drive, Northvale, NJ 07647 Tel. (201) 784-1000 Fax (201) 784-0111	Drawing Title: GTM96605-GEN2-A1-T2, USB Adaptive Power Source ITE/Medical Power supply, Efficiency Level: VI, Case Color/Style: GlobTek Black, Desktop/External, USB Adaptive Power Supply AC Adaptor, Input Rating: 100-240V~, 50-60Hz, IEC 60320/C8, Output Rating: 60W, 5V, 5.8V, 9V, 12V, 15V, 20VV@4.6A, 4.6A, 4.4A, 4A,3.6A,3AA, Output Configuration: 1500 mm, 2C 20 + 3C 28/5C + Shield Cond, N/A, USB Type-C Connector, Ferrite: None, GlobTek Black, GT Cord # C16294, Pin Out: +V: A4, A9, B4, B9, GND: A1, A12, B1, B12, CC1: A5, D+:A6, D-:A7, Blades/Input Cord: Not Applicable, Approvals: RCM; CE; PSE; WEEE; VCCI; RoHS; China RoHS; Level VI; Double Insulation; EAC; Ukraine; CB 60601-1 2MOPP; CB 60950; CB 62368; CCC; ETL 62368; ETL; cETLus 60601-1 3rd; cETLus 60601; UL 1310; RCM; S-Mark 60950; S-Mark IEC/EN 60601-1;	
	Model No. GTM96605-GEN2-A1-T2	
	Part No./Ordering No. TR9KZ3000USBCFG2R6B	Rev F

OUTPUT CORD AND CONNECTOR: USBC31/C16294

ACTUAL CONNECTORS, OVERMOLDS, FERRITES MAY VARY SLIGHTLY FROM THE PICTURE BELOW

CABLE TYPE	N/A
CABLE LENGTH (mm)	1500
CABLE TOLERANCE (mm)	±50
WIRE GAUGE (AWG)	2C 20 + 3C 28
CONDUCTORS	5C + Shield
HANK DIMENSION (mm)	80+/-20
CABLE / CONNECTOR OVERMOLD COLOR	GlobTek Black
FERRITE TYPE / DIMENSION	None
FERRITE # OF TURNS (Definition)	N/A
FERRITE DIMENSION FROM STRAIN RELIEF	N/A
FERRITE DIMENSION FROM PLUG	N/A
PLUG TYPE	USB Type-C Connector
OUTPUT CONNECTOR SEX	
OVERMOLDED	Yes
OVER MOLD ORIENTATION	Straight
	+V: A4, A9, B4, B9, GND: A1, A12, B1, B12,
CONNECTOR PIN OUT:	CC1: A5, D+:A6, D-:A7

ADDITIONAL REQUIREMENTS



ADDITIONAL OUTPUT PLUG OPTIONS ARE AVAILABLE AT <https://www.globtek.com/connectors/>
 STANDARD PLUGS AND CONNECTORS CAN BE SEEN ONLINE AT <https://www.globtek.com/connectors/>

GlobTek, Inc. www.globtek.com 186 Veterans Drive, Northvale, NJ 07647 Tel. (201) 784-1000 Fax (201) 784-0111	Drawing Title: GTM96605-GEN2-A1-T2, USB Adaptive Power Source ITE/Medical Power supply, Efficiency Level: VI, Case Color/Style: GlobTek Black, Desktop/External, USB Adaptive Power Supply AC Adaptor, Input Rating: 100-240V~, 50-60Hz, IEC 60320/C8 , Output Rating: 60W, 5V, 5.8V, 9V, 12V, 15V, 20VV@4.6A, 4.6A, 4.4A, 4A,3.6A,3AA, Output Configuration: 1500 mm, 2C 20 + 3C 28/5C + Shield Cond, N/A, USB Type-C Connector, Ferrite: None, GlobTek Black, GT Cord # C16294, Pin Out: +V: A4, A9, B4, B9, GND: A1, A12, B1, B12, CC1: A5, D+:A6, D-:A7, Blades/Input Cord: Not Applicable, Approvals: RCM; CE; PSE; WEEE; VCCI; RoHS; China RoHS; Level VI; Double Insulation; EAC; Ukraine; CB 60601-1 2MOPP; CB 60950; CB 62368; CCC; ETL 62368; ETL; cETLus 60601-1 3rd; cETLus 60601; UL 1310; RCM; S-Mark 60950; S-Mark IEC/EN 60601-1;	
	Model No. GTM96605-GEN2-A1-T2	
	Part No./Ordering No. TR9KZ3000USBCFG2R6B	Rev F

LABEL:L-1186

LABEL P/N: Standard GT

MATERIAL: Flat Thermal Transfer, Imprintable, Polyester Label and/or Pad Printed and/or Molded, and/or Laser Engraved in the case

BACKGROUND COLOR: Black if housing is Black, White or Silver if housing is White or Gray.

TEXT COLOR: White or Silver if label is Black Background for Black housing. Black if label is White or Silver background and Housing is White or Gray

LABEL WIDTH (mm):

LABEL HEIGHT (mm):

SPECIAL BARCODE LABEL

MATERIAL:

Below is the minimum information which will appear on the label. NOTE: in the logo area additional/actual positioning of symbols and text is subjected to change as per agency updates/requirements or additional model approvals become available.

Regulatory certifications/label markings may be in logo area on the label or molded into the case housing outside the label area.

Information will be shown via label and/or pad printed and/or molded and/or laser engraved in the case. * Date code markings at GlobTek option.



A=USB Adaptive Power Source ITE/Medical Power supply
B=P/N: (料号) TR9KZ3000USBCFG2R6B
C=Model (型号) GTM96605-GEN2-A1-T2
D=Input (输入) 100-240V~, 50-60Hz, 1.5A

GlobTek, Inc. www.globtek.com 186 Veterans Drive, Northvale, NJ 07647 Tel. (201) 784-1000 Fax (201) 784-0111	Drawing Title: GTM96605-GEN2-A1-T2, USB Adaptive Power Source ITE/Medical Power supply, Efficiency Level: VI, Case Color/Style: GlobTek Black, Desktop/External, USB Adaptive Power Supply AC Adaptor, Input Rating: 100-240V~, 50-60Hz, IEC 60320/C8, Output Rating: 60W, 5V, 5.8V, 9V, 12V, 15V, 20V@4.6A, 4.6A, 4.4A, 4A,3.6A,3AA, Output Configuration: 1500 mm, 2C 20 + 3C 28/5C + Shield Cond, N/A, USB Type-C Connector, Ferrite: None, GlobTek Black, GT Cord # C16294, Pin Out: +V: A4, A9, B4, B9, GND: A1, A12, B1, B12, CC1: A5, D+:A6, D-:A7, Blades/Input Cord: Not Applicable, Approvals: RCM; CE; PSE; WEEE; VCCI; RoHS; China RoHS; Level VI; Double Insulation; EAC; Ukraine; CB 60601-1 2MOPP; CB 60950; CB 62368; CCC; ETL 62368; ETL; cETLus 60601-1 3rd; cETLus 60601; UL 1310; RCM; S-Mark 60950; S-Mark IEC/EN 60601-1;	
	Model No. GTM96605-GEN2-A1-T2	
	Part No./Ordering No. TR9KZ3000USBCFG2R6B	Rev F

E=Output (輸出)

5V	===	4.6A
5.8V	===	4.6A
9V	===	4.4A
12V	===	4A
15V	===	3.6A
20V	===	3A

- AGENCY ONLINE DOCUMENTS <http://www.globtek.info/certs/GTM96605-GEN2/>
- CE EC-Declaration for Medical [Contact GlobTek for more information](#)
- CE EC-Declaration for Industrial/Commercial/ITE http://globtek.force.com/models/ec_declaration?id=a000c00000PGI8DEAX
- CE EC-Declaration for Household [Contact GlobTek for more information](#)
- RoHS/RoHS3 Declaration https://www.globtek.com/pdf/rohs_cert/01t0c000006lorvAAC
- REACH Declaration https://www.globtek.com/pdf/iso_certificates/REACH.pdf
- Conflict Minerals Declaration <https://www.globtek.com/pdf/conflict-minerals.pdf>
- IPXY rating is based on 3rd party testing and customers should check suitability and test system level IPXY rating before ordering.

Regulatory Certifications/Label Markings

LATEST PRODUCT/MODEL CERTIFICATIONS: <http://en.globtek.com/datasheet/id/a000c00000PGI8D>

AGENCY ONLINE DOCUMENTS: <http://www.globtek.info/certs/GTM96605-GEN2/>



(F1) Class II / Double Insulated



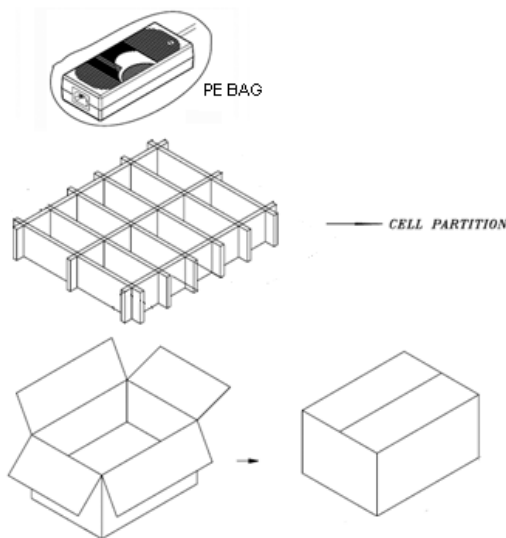
+V: A4, A9, B4, B9,
 GND: A1, A12, B1, B12,
 CC1: A5,
 D+:A6,
 D-:A7

GloTek, Inc. www.globtek.com 186 Veterans Drive, Northvale, NJ 07647 Tel. (201) 784-1000 Fax (201) 784-0111	Drawing Title: GTM96605-GEN2-A1-T2, USB Adaptive Power Source ITE/Medical Power supply, Efficiency Level: VI, Case Color/Style: GlobTek Black, Desktop/External, USB Adaptive Power Supply AC Adaptor, Input Rating: 100-240V~, 50-60Hz, IEC 60320/C8 , Output Rating: 60W, 5V, 5.8V, 9V, 12V, 15V, 20VV@4.6A, 4.6A, 4.4A, 4A,3.6A,3AA, Output Configuration: 1500 mm, 2C 20 + 3C 28/5C + Shield Cond, N/A, USB Type-C Connector, Ferrite: None, GlobTek Black, GT Cord # C16294, Pin Out: +V: A4, A9, B4, B9, GND: A1, A12, B1, B12, CC1: A5, D+:A6, D-:A7, Blades/Input Cord: Not Applicable, Approvals: RCM; CE; PSE; WEEE; VCCI; RoHS; China RoHS; Level VI; Double Insulation; EAC; Ukraine; CB 60601-1 2MOPP; CB 60950; CB 62368; CCC; ETL 62368; ETL; cETLus 60601-1 3rd; cETLus 60601; UL 1310; RCM; S-Mark 60950; S-Mark IEC/EN 60601-1;	
	Model No. GTM96605-GEN2-A1-T2	
	Part No./Ordering No. TR9KZ3000USBCFG2R6B	Rev F

PACKAGING

Packing Spec P/N:	Standard DT, Cellular packaging, User manual
Box Qty:	20
Gift Box Size (mm):	Egg Crate
Gift Box Color:	None
Master Carton Size (mm):	427 x 405 x 158
Master Carton Cubic Volume (m ³):	0.03
Master GW (Kg):	15.6 kg
BLADES INCLUDED:	N/A:
BLADE/CORD INSTALLED:	N/A:
USER MANUAL:	809-DESKTOPUSERMANUAL on A4 paper
USER MANUAL WEB LINK:	https://en.globtek.com/pdf/809-DESKTOPUSERMANUA...

If specific packaging is required, this section must specify all requirements and note "no exceptions". If this section does not specify packaging, it is subject to change without notice at GlobTek's discretion.



PROPRIETARY INFORMATION

GloTek, Inc. www.globtek.com 186 Veterans Drive, Northvale, NJ 07647 Tel. (201) 784-1000 Fax (201) 784-0111	Drawing Title: GTM96605-GEN2-A1-T2, USB Adaptive Power Source ITE/Medical Power supply, Efficiency Level: VI, Case Color/Style: GlobTek Black, Desktop/External, USB Adaptive Power Supply AC Adaptor, Input Rating: 100-240V~, 50-60Hz, IEC 60320/C8 , Output Rating: 60W, 5V, 5.8V, 9V, 12V, 15V, 20VV@4.6A, 4.6A, 4.4A, 4A,3.6A,3AA, Output Configuration: 1500 mm, 2C 20 + 3C 28/5C + Shield Cond, N/A, USB Type-C Connector, Ferrite: None, GlobTek Black, GT Cord # C16294, Pin Out: +V: A4, A9, B4, B9, GND: A1, A12, B1, B12, CC1: A5, D+:A6, D-:A7, Blades/Input Cord: Not Applicable, Approvals: RCM; CE; PSE; WEEE; VCCI; RoHS; China RoHS; Level VI; Double Insulation; EAC; Ukraine; CB 60601-1 2MOPP; CB 60950; CB 62368; CCC; ETL 62368; ETL; cETLus 60601-1 3rd; cETLus 60601; UL 1310; RCM; S-Mark 60950; S-Mark IEC/EN 60601-1;	
	Model No. GTM96605-GEN2-A1-T2	
	Part No./Ordering No. TR9KZ3000USBCFG2R6B	Rev F

INSTRUCTIONS TO THE OEM SYSTEMS ENGINEER

It is the responsibility of the OEM systems engineer to provide the end system user instructions and warnings for the use of this product in the end system.

If an input cord is required for this product, AC Mains voltage should be provided to the power supply by a power supply cord approved to the national standards of the country in which it will be used.

This power supply is not designed to be repaired. No serviceable parts inside. A blown internal fuse is an indication of catastrophic failure of circuit component(s). If a Failure Analysis is required for a failed power supply/battery charger, please return the damaged unit to Globtek for an accurate determination of the root cause of the failure.

EMC Compliance of the complete OEM product, including the GlobTek power supply/battery charger needs to be verified by the OEM systems engineer.

INSTRUCTION SHEET

N/A