

|   |   |       |
|---|---|-------|
| GlobTek, Inc.<br>www.globtek.com<br>186 Veterans Drive,<br>Northvale, NJ 07647<br>Tel. (201) 784-1000<br>Fax (201) 784-0111 | Drawing Title: GTM961600P16019-T3, Medical/ITE/Household use Power Supply, Efficiency Level: VI, Case Color/Style: GlobTek Black, Desktop/External, Regulated Switchmode AC-DC Power Supply AC Adaptor, Input Rating: 100-240V~, 50-60 Hz, IEC 60320/C14, Output Rating: 160W, 19V@8.42A, Output Configuration: 1200 mm, 14/1C + Shield Cond, UL 1185, Female Barrel 5.5*2.1*11mm w/ Spring Clip & Locking Notch or Equal, Ferrite: None, GlobTek Black, GT Cord # C19506, Pin Out: Center Positive (+V), Blades/Input Cord: (Order Separately), Approvals: cETLus; CB 60601-1-11; CB 60601-1; cETLus; S-Mark IEC/EN 60601-1; EAC; Korea (18V Only); CB 60950; CB 60335; cETLus 60601-1 3rd; Korea (18V Only); CE; RoHS; China RoHS; Ukraine; WEEE; VCCI; Class I; Level VI; PSE; PSE; PSE; |       |
|   | Model No. GTM961600P16019-T3  |       |
|   | Part No./Ordering No. TR9CZ8421CCPIMR6B   | Rev B |

## REVISION HISTORY

| REV | DESCRIPTION   | SUB | DATE       | APPROVED |
|-----|---|-----|------------|----------|
| B   | Update O/P cord to UL1185 14AWG (from CL!/C10800 to CL!/C19506) |     | 12/17/2018 | QA       |
| A   | Initial release   |     | 07/06/2018 | QA       |

In Addition to GlobTek Inc.'s renewed ISO9001:2015 - Quality Management System Certification, GlobTek Inc. is now certified to:

ISO13485:2016 - Medical Devices Quality Management System Certification

ISO14001:2015 - Environmental Management System Certification

ISO Certificates are available online at <https://www.globtek.com/iso-certificates/>

### Customer Approval of Specification:

Please approve, sign and send back to GlobTek so we can complete order processing.

A delay in receipt of this form will delay delivery schedule.

Company Name:

Customer P/N:

Quote Number:

Date:

Authorized Representative Name:

Authorized Representative Signature:

The acceptance of this specification and use of the product described in this document indicates the acceptance and binding of the customer to Globtek terms and conditions, which supersede all other agreements, terms, and conditions (<https://en.globtek.com/terms-and-conditions/>).

### Footnote:

GlobTek Inc. will not be liable for the safety and performance of these power supplies if unauthorized access and repair occurs. End user should consult applicable UL, CSA or EN standards for proper installation instruction.

### Limitation of Use:

GlobTek products are intended for use with commercial, medical, and/or industrial equipment only. GlobTek product are not authorized for use as mission critical components in life support hazardous environment, nuclear or aircraft applications without prior written approval from the CEO of GlobTek Inc.

Contents of this document are subject to change without prior notice.

|   |   |       |
|---|---|-------|
| GlobTek, Inc.<br>www.globtek.com<br>186 Veterans Drive,<br>Northvale, NJ 07647<br>Tel. (201) 784-1000<br>Fax (201) 784-0111 | Drawing Title: GTM961600P16019-T3, Medical/ITE/Household use Power Supply, Efficiency Level: VI, Case Color/Style: GlobTek Black, Desktop/External, Regulated Switchmode AC-DC Power Supply AC Adaptor, Input Rating: 100-240V~, 50-60 Hz, IEC 60320/C14, Output Rating: 160W, 19V@8.42A, Output Configuration: 1200 mm, 14/1C + Shield Cond, UL 1185, Female Barrel 5.5*2.1*11mm w/ Spring Clip & Locking Notch or Equal, Ferrite: None, GlobTek Black, GT Cord # C19506, Pin Out: Center Positive (+V), Blades/Input Cord: (Order Separately), Approvals: cETLus; CB 60601-1-11; CB 60601-1; cETLus; S-Mark IEC/EN 60601-1; EAC; Korea (18V Only); CB 60950; CB 60335; cETLus 60601-1 3rd; Korea (18V Only); CE; RoHS; China RoHS; Ukraine; WEEE; VCCI; Class I; Level VI; PSE; PSE; PSE; |       |
|   | Model No. GTM961600P16019-T3  |       |
|   | Part No./Ordering No. TR9CZ8421CCPIMR6B   | Rev B |

## POWER SUPPLY INFORMATION

|                          |   |
|--------------------------|---|
| TYPE:                    | Desktop/External  |
| TECHNOLOGY:              | Regulated Switchmode AC-DC Power Supply AC Adaptor  |
| CASE COLOR:              | GlobTek Black   |
| NAMEPLATE RATED INPUT:   | 100-240V~, 50-60 Hz, 2.2A   |
| INPUT CONFIG:            | IEC 60320/C14   |
| WATTS:                   | 160.0   |
| VOLTS OUT:               | 19  |
| CURRENT OUT (Amps):      | 8.42  |
| BLADE/CORD INCLUDED:     | None  |
| BLADE/CORD INSTALLED:    | None  |
| INGRESS PROTECTION:      | IP41  |
| GROUNDING CONFIGURATION: | (F2) Isolated Functional Earth for GTM96 series, Improved EMC   |
| EFFICIENCY LEVEL:        | VI  |
| OUTPUT CONFIGURATION:    | 1200 mm, 14/1C + Shield Cond, UL 1185, Female Barrel 5.5*2.1*11mm w/ Spring Clip & Locking Notch or Equal, Ferrite: None, GlobTek Black, GT Cord # C19506 |
| OVERMOLDED:              | Yes   |
| CONNECTOR PIN OUT:       | Center Positive (+V)  |
| LABEL SPECS:             | Standard GT,L-1186  |
| SPECIAL BARCODE LABEL    |   |
| MATERIAL:                |   |
| PACK SPEC:               | Standard DT, Cellular packaging, User manual  |
| USER MANUAL:             | 809-DESKTOPUSERMANUAL on A4 paper   |

Notes/Modifications/Customizations (notes in this section supersede the values shown in the standard spec):

DIMENSIONS ARE IN MM UNLESS SPECIFIED OTHERWISE.

### PROPRIETARY INFORMATION

PROPRIETARY OF GLOBTEK, INC. ANY REPRODUCTION, DISCLOSURE OR USE OF THIS DRAWING, IN WHOLE OR IN PART, IS HEREBY PROHIBITED EXCEPT AS SPECIFIED IN

WRITING BY GLOBTEK, INC. © GlobTek, Inc. 2018 - 2019

quest /08/17/2019 5:58:06 PM CLONED FROM TR9CI6666MF6C1MR6B

|   |   |       |
|---|---|-------|
| GloBtek, Inc.<br>www.globtek.com<br>186 Veterans Drive,<br>Northvale, NJ 07647<br>Tel. (201) 784-1000<br>Fax (201) 784-0111 | Drawing Title: GTM961600P16019-T3, Medical/ITE/Household use Power Supply, Efficiency Level: VI, Case Color/Style: GlobTek Black, Desktop/External, Regulated Switchmode AC-DC Power Supply AC Adaptor, Input Rating: 100-240V~, 50-60 Hz, IEC 60320/C14, Output Rating: 160W, 19V@8.42A, Output Configuration: 1200 mm, 14/1C + Shield Cond, UL 1185, Female Barrel 5.5*2.1*11mm w/ Spring Clip & Locking Notch or Equal, Ferrite: None, GlobTek Black, GT Cord # C19506, Pin Out: Center Positive (+V), Blades/Input Cord: (Order Separately), Approvals: cETLus; CB 60601-1-11; CB 60601-1; cETLus; S-Mark IEC/EN 60601-1; EAC; Korea (18V Only); CB 60950; CB 60335; cETLus 60601-1 3rd; Korea (18V Only); CE; RoHS; China RoHS; Ukraine; WEEE; VCCI; Class I; Level VI; PSE; PSE; PSE; |       |
|   | Model No. GTM961600P16019-T3  |       |
|   | Part No./Ordering No. TR9CZ8421CCPIMR6B   | Rev B |

## ELECTRICAL SPECIFICATIONS

### A) ELECTRICAL SPECIFICATIONS:

01. Input Voltage: Specified 90-264 Vac, Nameplate rated: 100-240Vac  
90-264Vac range @ 100% of rated load current  
85-264 Vac range @ 90% of rated load current
02. Input Frequency: Specified 47-63 Hz, Nameplate rated 50/60Hz
03. Power Factor: 0.90 minimum @ 230Vac, 0.97 minimum @ 115Vac
04. Output Regulation: +/- 4% measured at the output connector
05. Line Voltage Regulation: +/- 0.5% typical measured at full load
06. Green Power On Indicator LED
07. Output Ripple (Vp-p): 1% or 200 mV whichever is greater, measured at 20 MHz bandwidth with 0.1 uF ceramic capacitor in parallel with a low impedance 47 uF electrolytic capacitor connected at the end of the output connector at nominal line
08. Turn-ON/OFF Overshoot: 5% maximum, 1 mS typical recovery time for 25% to 50% step load
09. Turn-ON Delay: 1 second typical
10. Hold-Up Time: 20 mS minimum
11. Inrush Current: 30A maximum at 115Vac input and 60A maximum at 230Vac input
12. Switching Frequency: Varies from 25KHz to 125KHz
13. Efficiency: Compliant with DoE Efficiency Level VI standard and CoC Tier 2
14. No Load Standby Power: <0.15 W @ 230Vac

### B) PROTECTION

01. Input Protection: Input line fusing and 300Vac rated MOV
02. Short Circuit/ Overload: Electronically Protected unit will auto recover upon removal of fault  
Output Current Limit: Current limited to less than 240W / Vnom and 18A for low voltage models  
(Vnom = nominal rated output voltage)
03. Over-Temperature: Latching Electronic Overtemperature protection. Cycle AC OFF to reset.
04. Output Over-Voltage: 110% to 135% of nominal output voltage under full load condition, and less than 60V max. Latching protection, cycle AC OFF to reset.

### C) SAFETY

01. Dielectric Withstand Voltage: 4000Vac or 5656Vdc from input to output, On Class I models, 3000Vac or 4242Vdc from input to earth
02. Earth Leakage Current: Class I models < 300uA, N/A for Class II models
03. Touch Current: Class I models < 20uA, Class II models < 70uA
04. [Output Isolation Options](#):
  - a) C8 or C18 Inlet, Class II
  - b) C6 or C14 Inlet, Class II FE, Output Isolated from Earth contact
  - c) C6 or C14 Inlet, Class I, Output negative directly attached to Earth contact
05. Earth Continuity Test: < 0.1 Ohm between Earth Pin at AC input and PCB termination point (Class I models only)
06. Means of Protection: 2 x MOPP
07. Primary to Secondary Bridging Capacitance: Two IEC60384-14 certified Y1 type capacitors in series
08. Compliant Standards: See listings at end of this drawing for specifics

### D) EMC

EN 60601-1-2, 4<sup>th</sup> edition  
Emissions, per EN 55032, EN 61000-6-3, EN 61000-6-4, CISPR11 and CISPR22  
Conducted Emissions: Class B, FCC Part 15, Class B

#### PROPRIETARY INFORMATION

|  |   |       |
|--|---|-------|
| GloTek, Inc.<br>www.globtek.com<br>186 Veterans Drive,<br>Northvale, NJ 07647<br>Tel. (201) 784-1000<br>Fax (201) 784-0111 | Drawing Title: GTM961600P16019-T3, Medical/ITE/Household use Power Supply, Efficiency Level: VI, Case Color/Style: GlobTek Black, Desktop/External, Regulated Switchmode AC-DC Power Supply AC Adaptor, Input Rating: 100-240V~, 50-60 Hz, IEC 60320/C14, Output Rating: 160W, 19V@8.42A, Output Configuration: 1200 mm, 14/1C + Shield Cond, UL 1185, Female Barrel 5.5*2.1*11mm w/ Spring Clip & Locking Notch or Equal, Ferrite: None, GlobTek Black, GT Cord # C19506, Pin Out: Center Positive (+V), Blades/Input Cord: (Order Separately), Approvals: cETLus; CB 60601-1-11; CB 60601-1; cETLus; S-Mark IEC/EN 60601-1; EAC; Korea (18V Only); CB 60950; CB 60335; cETLus 60601-1 3rd; Korea (18V Only); CE; RoHS; China RoHS; Ukraine; WEEE; VCCI; Class I; Level VI; PSE; PSE; PSE; |       |
|  | Model No. GTM961600P16019-T3  |       |
|  | Part No./Ordering No. TR9CZ8421CCPIMR6B   | Rev B |

Radiated Emissions: Class B, FCC Part 15, Class B  
Line Frequency Harmonics EN61000-3-2, Class A  
Voltage Fluctuations/Flicker EN61000-3-3

Immunity, per EN 55024, EN 61000-6-1, EN 61000-6-2  
Static Discharge Immunity EN61000-4-2, 10kV Contact Discharge, 18kV air discharge  
Radiated RF Immunity EN61000-4-3, 10V/m 80-2.7GHz, 80% 1KHz AM.  
EFT/Burst Immunity EN61000-4-4, 4kV/100kHz.  
Line Surge Immunity EN61000-4-5, 2kV differential, 4kV common-mode  
Conducted RF Immunity EN61000-4-6, 3Vrms, 80% 1KHz AM  
Power Frequency Magnetic Field Immunity EN61000-4-8, 3A/m  
Voltage Dip Immunity EN61000-4-11, Criteria

E) OTHER:

01. MTBF: 1,000,000 Hours @ 40°C ambient temperature, Full Load
02. Operating Temperature: -10°C to 40°C ambient temperature with full load  
Regarding Operating Temperature,  
a- See below derating table for output power capability at alternate temperature  
b- Extended low end temperature range down to -40°C available as a custom option
03. Humidity: 0% to 95% relative humidity, non-condensing
04. Storage Temperature: -30°C to 80°C
05. Cooling: Convection
06. ROHS: Compliant with latest regulations, see approvals section below
07. Operational Altitude: 5000M

F) DESKTOP STYLE ENCLOSURE

01. Housing: High impact plastic, 94V0 polycarbonate, non-vented
02. Size: 176.5 x 74 x 40 +/-1.0 mm
03. Markings: Label or Laser printed
04. AC Input mechanical options: Desktop C6, C8, C14 or C18 IEC Inlet.

G) SPECIAL OPTIONS

01. Custom Cordsets, various cordage types, and connector types
02. Custom Markings
03. Short term Output Surge Power Capability, for motor applications, and short term intermittent high power need applications. 300W for 1 second is available, as a special design variant.
04. Reduced Leakage Current version, medical CF leakage current compliance
05. Tightened output voltage tolerance
06. Reduced Output Ripple Level
08. Reduced output power marking/rating
09. High Rel PCB laminate with Plated through Holes for IPC610 Class 2 Compliance
10. Special Housing Colors and Cordset Colors
11. LED Lighting Applications, Class C Line Harmonics
12. Constant Current output, for Vnom to 0.75xVnom. Add "-CC" suffix to model number. Current level is custom selectable.
13. Back EMF applications, custom solutions. For unusual motor load aps and other high inductance reverse energy flow requirements
14. Improved Ingress Protection Rating

H) OUTPUT CONNECTORS

PROPRIETARY INFORMATION

PROPRIETARY OF GLOBTEK, INC. ANY REPRODUCTION, DISCLOSURE OR USE OF THIS DRAWING, IN WHOLE OR IN PART, IS HEREBY PROHIBITED EXCEPT AS SPECIFIED IN

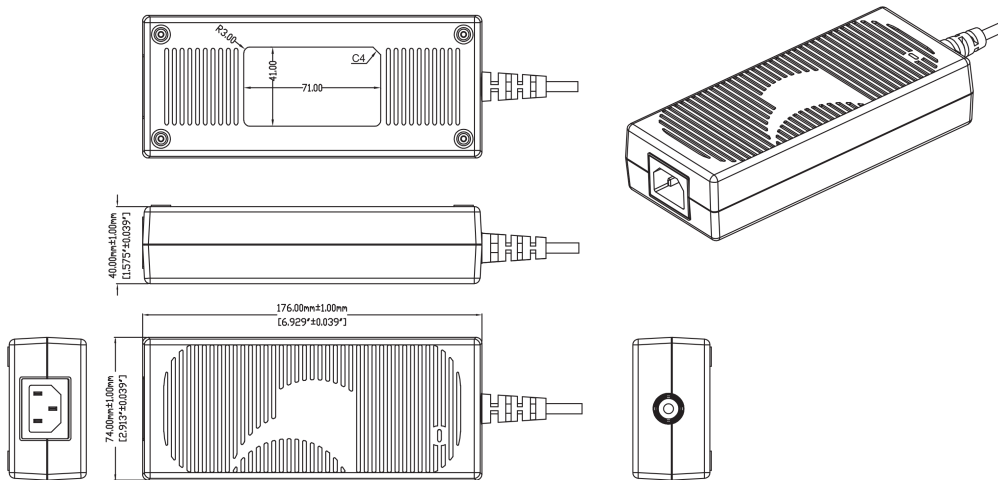
WRITING BY GLOBTEK, INC. © GlobTek, Inc. 2018 - 2019

quest/08/17/2019 5:58:06 PM CLONED FROM TR9CI6666MF6C1MR6B

|   |   |       |
|---|---|-------|
| GlobTek, Inc.<br>www.globtek.com<br>186 Veterans Drive,<br>Northvale, NJ 07647<br>Tel. (201) 784-1000<br>Fax (201) 784-0111 | Drawing Title: GTM961600P16019-T3, Medical/ITE/Household use Power Supply, Efficiency Level: VI, Case Color/Style: GlobTek Black, Desktop/External, Regulated Switchmode AC-DC Power Supply AC Adaptor, Input Rating: 100-240V~, 50-60 Hz, IEC 60320/C14, Output Rating: 160W, 19V@8.42A, Output Configuration: 1200 mm, 14/1C + Shield Cond, UL 1185, Female Barrel 5.5*2.1*11mm w/ Spring Clip & Locking Notch or Equal, Ferrite: None, GlobTek Black, GT Cord # C19506, Pin Out: Center Positive (+V), Blades/Input Cord: (Order Separately), Approvals: cETLus; CB 60601-1-11; CB 60601-1; cETLus; S-Mark IEC/EN 60601-1; EAC; Korea (18V Only); CB 60950; CB 60335; cETLus 60601-1 3rd; Korea (18V Only); CE; RoHS; China RoHS; Ukraine; WEEE; VCCI; Class I; Level VI; PSE; PSE; PSE; |       |
|   | Model No. GTM961600P16019-T3  |       |
|   | Part No./Ordering No. TR9CZ8421CCPIMR6B   | Rev B |

Several output connector options are available with various output current ratings. GlobTek can supply 10A rated 2.1mm and 2.5mm style DC Power Jacks, to complement our 10A output rated 2.1mm and 2.5mm DC power plugs used on our output cordsets. Please visit <https://en.globtek.com/news/high-current-coaxial-barrel-plug-jacks-for-high-wattage-power-supplies> for a real time product offering of mating connectors.

INGRESS PROTECTION: IP41



DERATING CURVE

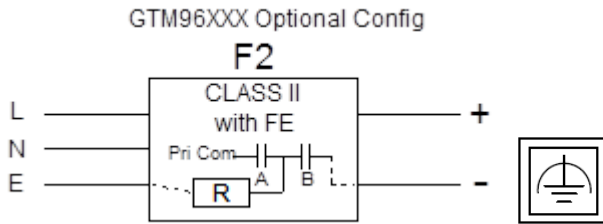
|  |  |              |
|--|--|--------------|
| <p>GlobTek, Inc.<br/> www.globtek.com<br/> 186 Veterans Drive,<br/> Northvale, NJ 07647<br/> Tel. (201) 784-1000<br/> Fax (201) 784-0111</p> | <p>Drawing Title: GTM961600P16019-T3, Medical/ITE/Household use Power Supply, Efficiency Level: VI, Case Color/Style: GlobTek Black, Desktop/External, Regulated Switchmode AC-DC Power Supply AC Adaptor, Input Rating: 100-240V~, 50-60 Hz, IEC 60320/C14, Output Rating: 160W, 19V@8.42A, Output Configuration: 1200 mm, 14/1C + Shield Cond, UL 1185, Female Barrel 5.5*2.1*11mm w/ Spring Clip &amp; Locking Notch or Equal, Ferrite: None, GlobTek Black, GT Cord # C19506, Pin Out: Center Positive (+V), Blades/Input Cord: (Order Separately), Approvals: cETLus; CB 60601-1-11; CB 60601-1; cETLus; S-Mark IEC/EN 60601-1; EAC; Korea (18V Only); CB 60950; CB 60335; cETLus 60601-1 3rd; Korea (18V Only); CE; RoHS; China RoHS; Ukraine; WEEE; VCCI; Class I; Level VI; PSE; PSE; PSE;</p> |              |
|  | <p>Model No. GTM961600P16019-T3</p>  |              |
|  | <p>Part No./Ordering No. TR9CZ8421CCPIMR6B</p>   | <p>Rev B</p> |



|   |   |       |
|---|---|-------|
| GlobTek, Inc.<br>www.globtek.com<br>186 Veterans Drive,<br>Northvale, NJ 07647<br>Tel. (201) 784-1000<br>Fax (201) 784-0111 | Drawing Title: GTM961600P16019-T3, Medical/ITE/Household use Power Supply, Efficiency Level: VI, Case Color/Style: GlobTek Black, Desktop/External, Regulated Switchmode AC-DC Power Supply AC Adaptor, Input Rating: 100-240V~, 50-60 Hz, IEC 60320/C14, Output Rating: 160W, 19V@8.42A, Output Configuration: 1200 mm, 14/1C + Shield Cond, UL 1185, Female Barrel 5.5*2.1*11mm w/ Spring Clip & Locking Notch or Equal, Ferrite: None, GlobTek Black, GT Cord # C19506, Pin Out: Center Positive (+V), Blades/Input Cord: (Order Separately), Approvals: cETLus; CB 60601-1-11; CB 60601-1; cETLus; S-Mark IEC/EN 60601-1; EAC; Korea (18V Only); CB 60950; CB 60335; cETLus 60601-1 3rd; Korea (18V Only); CE; RoHS; China RoHS; Ukraine; WEEE; VCCI; Class I; Level VI; PSE; PSE; PSE; |       |
|   | Model No. GTM961600P16019-T3  |       |
|   | Part No./Ordering No. TR9CZ8421CCPIMR6B   | Rev B |

## INPUT CONFIGURATION

(F2) Isolated Functional Earth for GTM96 series, Improved EMC



[Alternate grounding configurations](#) available upon request.

Blades/Cord Included:None:

Blades/Cord Installed:None:

IEC 60320/C14 AC Inlet Connector, Class I, Earth Ground



Mates with IEC 60320/C13 Plug

Optional Locking IEC60320 Receptable and cord option available on some models by request.:



### [Standard International IEC 320/C13 Cordsets](#)

Below are standard cordsets which are "not included" (unless stated above); these can be purchased separately or packaged with the power supply. Contact your Sales Engineer if the style required is not shown below. Many more available in different lengths, colors or cable material.

## Stock Power Supply Cords

| Part Number/ Link | Country | Plug | Termination | Length (mm) | (Ft) |
|-------------------|---------|------|-------------|-------------|------|
|                   |         |      |             |             |      |

### PROPRIETARY INFORMATION

PROPRIETARY OF GLOBTEK, INC. ANY REPRODUCTION, DISCLOSURE OR USE OF THIS DRAWING, IN WHOLE OR IN PART, IS HEREBY PROHIBITED EXCEPT AS SPECIFIED IN

WRITING BY GLOBTEK, INC. © GlobTek, Inc. 2018 - 2019

quest /08/17/2019 5:58:06 PM CLONED FROM TR9CI6666MF6CIMR6B

|  |   |       |
|--|---|-------|
| GloTek, Inc.<br>www.globtek.com<br>186 Veterans Drive,<br>Northvale, NJ 07647<br>Tel. (201) 784-1000<br>Fax (201) 784-0111 | Drawing Title: GTM961600P16019-T3, Medical/ITE/Household use Power Supply, Efficiency Level: VI, Case Color/Style: GlobTek Black, Desktop/External, Regulated Switchmode AC-DC Power Supply AC Adaptor, Input Rating: 100-240V~, 50-60 Hz, IEC 60320/C14, Output Rating: 160W, 19V@8.42A, Output Configuration: 1200 mm, 14/1C + Shield Cond, UL 1185, Female Barrel 5.5*2.1*11mm w/ Spring Clip & Locking Notch or Equal, Ferrite: None, GlobTek Black, GT Cord # C19506, Pin Out: Center Positive (+V), Blades/Input Cord: (Order Separately), Approvals: cETLus; CB 60601-1-11; CB 60601-1; cETLus; S-Mark IEC/EN 60601-1; EAC; Korea (18V Only); CB 60950; CB 60335; cETLus 60601-1 3rd; Korea (18V Only); CE; RoHS; China RoHS; Ukraine; WEEE; VCCI; Class I; Level VI; PSE; PSE; PSE; |       |
|  | Model No. GTM961600P16019-T3  |       |
|  | Part No./Ordering No. TR9CZ8421CCPIMR6B   | Rev B |

|  |  |  |             |      |   |
|--|--|--|-------------|------|---|
| <a href="#">3021457F701(R)</a>                     | N. American (Type B)                           | NEMA 5-15P   | IEC 320/C13 | 2150 | 7 |
| <a href="#">1191068F0701(R)</a>                    | N. American (Type B)                           | NEMA 5-15P Hospital                                    | IEC 320/C13 | 2459 | 8 |
| <a href="#">2194272M5701-T(R)</a>                  | Argentina (Type I)                             | IRAM 2073  | IEC 320/C13 | 2500 | 8 |
| <a href="#">5502022M5701A(R)</a>                   | Australian (Type I)                            | AS3112 / 3 PRONG                                       | IEC 320/C13 | 2500 | 8 |
| <a href="#">204B4272M5701(R)</a>                   | Brazil (Type N)                                | BRAZIL   | IEC 320/C13 | 2500 | 8 |
| <a href="#">6023602M5701(R)</a>                    | China (Type I)                                 | CCC GR2099   | IEC 320/C13 | 2500 | 8 |
| <a href="#">G8014272M5701(R)</a>                   | Danish (Type K)                                | AFSNIT SECTION 107-2-D1                                | IEC 320/C13 | 2500 | 8 |
| <a href="#">23144272M5701-T(R)</a>                 | Europe (Type E)                                | CEE 7/7  | IEC 320/C13 | 2500 | 8 |
| <a href="#">205IN4272M5701(R)</a>                  | India (Type D)                                 | India IS 1293 (also known as IA16A3 or BS546)          | IEC 320/C13 | 2500 | 8 |
| <a href="#">208IN4272M5701(R)</a>                  | India (Type M)                                 | India IS 1293 (also known as IA16A3 or BS546)          | IEC320/C13  | 2500 | 8 |
| <a href="#">377C4272M5701(R)</a>                   | Israel (Type H)                                | ISL 377C   | IEC 320/C13 | 2500 | 8 |
| <a href="#">23024272M5701(R)</a>                   | Italy (Type L)                                 | CEI 23-16/VII  | IEC 320/C13 | 2500 | 8 |
| <a href="#">3003339F701(R)</a><br>[3x1.25mm2]      | Japan (Type B)                                 | JIS 8303 / 3 PINS                                      | IEC 320/C13 | 2500 | 8 |
| <a href="#">3003068F2701-HK(R)</a><br>[3 x 2.0mm2] |  |  |             |      |   |
| <a href="#">302J115J6F0701J(R)</a>                 | Japan / North America (Type B – 12A)           | JIS 8303 / 3 PINS and NEMA 5-15P (PSE and UL/CUL appr) | IEC 320/C13 | 1830 | 6 |
| <a href="#">302J104J6F0701J(R)</a>                 | Japan / North America (Type B – 15A)           | JIS 8303 / 3 PINS and NEMA 5-15P (PSE and UL/CUL appr) | IEC 320/C13 | 1830 | 6 |
| <a href="#">2313K3432M5701(R)</a>                  | Korea (Type F)                                 | KS C 8305  | IEC 320/C13 | 2500 | 8 |
| <a href="#">5804272M5701(R)</a>                    | Russia (Type F)                                | GOST 7396  | IEC 320/C13 | 2500 | 8 |
| <a href="#">2084272M5701(R)</a>                    | South Africa (Type M)                          | South Africa SABS164-1 (16A type)                      | IEC 320/C13 | 2500 | 8 |
| <a href="#">23214272M5701(R)</a>                   | Switzerland (Type J)                           | SEV 1011   | IEC 320/C13 | 2500 | 8 |
| <a href="#">3003322M5701(R)</a>                    | Taiwan (Type B)                                | BSMI   | IEC 320/C13 | 2500 | 8 |
| <a href="#">PZ0800100-2M5BK13H(R)</a>              | UK, Hong Kong, Singapore, Gulf States (Type G) | BS 1363A   | IEC 320/C13 | 2500 | 8 |
| <a href="#">7055002M5701A(R)</a>                   | International                                  | IEC 320 C14-C13  | IEC 320/C13 | 2500 | 8 |

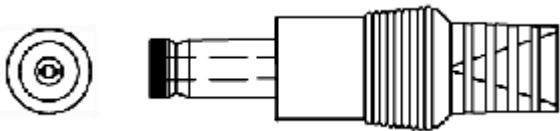


|   |  |       |
|---|--|-------|
| GlobTek, Inc.<br>www.globtek.com<br>186 Veterans Drive,<br>Northvale, NJ 07647<br>Tel. (201) 784-1000<br>Fax (201) 784-0111 | Drawing Title: GTM961600P16019-T3, Medical/ITE/Household use Power Supply, Efficiency Level: VI, Case Color/Style: GlobTek Black, Desktop/External, Regulated Switchmode AC-DC Power Supply AC Adaptor, Input Rating: 100-240V~, 50-60 Hz, IEC 60320/C14 , Output Rating: 160W, 19V@8.42A, Output Configuration: 1200 mm, 14/1C + Shield Cond, UL 1185, Female Barrel 5.5*2.1*11mm w/ Spring Clip & Locking Notch or Equal, Ferrite: None, GlobTek Black, GT Cord # C19506, Pin Out: Center Positive (+V), Blades/Input Cord: (Order Separately), Approvals: cETLus; CB 60601-1-11; CB 60601-1; cETLus; S-Mark IEC/EN 60601-1; EAC; Korea (18V Only); CB 60950; CB 60335; cETLus 60601-1 3rd; Korea (18V Only); CE; RoHS; China RoHS; Ukraine; WEEE; VCCI; Class I; Level VI; PSE; PSE; PSE; |       |
|   | Model No. GTM961600P16019-T3   |       |
|   | Part No./Ordering No. TR9CZ8421CCPIMR6B  | Rev B |

**OUTPUT CORD AND CONNECTOR: CL1/C19506**

ACTUAL CONNECTORS, OVERMOLDS, FERRITES MAY VARY SLIGHTLY FROM THE PICTURE BELOW

|   |  |
|---|--|
| CABLE TYPE                                      | UL 1185  |
| CABLE LENGTH (mm)                               | 1200   |
| CABLE TOLERANCE (mm)                            | +150, -0   |
| WIRE GAUGE (AWG)                                | 14   |
| CONDUCTORS                                      | 1C + Shield  |
| HANK DIMENSION (mm)                             | 80 ± 10  |
| CABLE / CONNECTOR OVERMOLD COLOR                | GlobTek Black  |
| FERRITE TYPE / DIMENSION                        | None   |
| FERRITE # OF TURNS <a href="#">(Definition)</a> | N/A  |
| FERRITE DIMENSION FROM STRAIN RELIEF            | N/A  |
| FERRITE DIMENSION FROM PLUG                     | N/A  |
| PLUG TYPE                                       | Female Barrel 5.5*2.1*11mm w/ Spring Clip & Locking Notch or Equal |
| OUTPUT CONNECTOR SEX                            |  |
| OVERMOLDED                                      | Yes  |
| OVER MOLD ORIENTATION                           | Straight   |
| CONNECTOR PIN OUT:                              | Center Positive (+V)   |
| ADDITIONAL REQUIREMENTS                         |  |



ADDITIONAL OUTPUT PLUG OPTIONS ARE AVAILABLE AT <https://www.globtek.com/connectors/>  
STANDARD PLUGS AND CONNECTORS CAN BE SEEN ONLINE AT <https://www.globtek.com/connectors/>

|   |   |       |
|---|---|-------|
| GlobTek, Inc.<br>www.globtek.com<br>186 Veterans Drive,<br>Northvale, NJ 07647<br>Tel. (201) 784-1000<br>Fax (201) 784-0111 | Drawing Title: GTM961600P16019-T3, Medical/ITE/Household use Power Supply, Efficiency Level: VI, Case Color/Style: GlobTek Black, Desktop/External, Regulated Switchmode AC-DC Power Supply AC Adaptor, Input Rating: 100-240V~, 50-60 Hz, IEC 60320/C14, Output Rating: 160W, 19V@8.42A, Output Configuration: 1200 mm, 14/1C + Shield Cond, UL 1185, Female Barrel 5.5*2.1*11mm w/ Spring Clip & Locking Notch or Equal, Ferrite: None, GlobTek Black, GT Cord # C19506, Pin Out: Center Positive (+V), Blades/Input Cord: (Order Separately), Approvals: cETLus; CB 60601-1-11; CB 60601-1; cETLus; S-Mark IEC/EN 60601-1; EAC; Korea (18V Only); CB 60950; CB 60335; cETLus 60601-1 3rd; Korea (18V Only); CE; RoHS; China RoHS; Ukraine; WEEE; VCCI; Class I; Level VI; PSE; PSE; PSE; |       |
|   | Model No. GTM961600P16019-T3  |       |
|   | Part No./Ordering No. TR9CZ8421CCPIMR6B   | Rev B |

LABEL:L-1186

LABEL P/N: Standard GT

MATERIAL: Flat Thermal Transfer, Imprintable, Polyester Label and/or Pad Printed and/or Molded, and/or Laser Engraved in the case

BACKGROUND COLOR: Black if housing is Black, White or Silver if housing is White or Gray.

TEXT COLOR: White or Silver if label is Black Background for Black housing. Black if label is White or Silver background and Housing is White or Gray

LABEL WIDTH (mm): 41

LABEL HEIGHT (mm): 71

SPECIAL BARCODE LABEL

MATERIAL:

Below is the minimum information which will appear on the label. NOTE: in the logo area additional/actual positioning of symbols and text is subjected to change as per agency updates/requirements or additional model approvals become available.



Regulatory certifications/label markings may be in logo area on the label or molded into the case housing outside the label area.

Information will be shown via label and/or pad printed and/or molded and/or laser engraved in the case. \* Date code markings at GlobTek option.



A=Medical/ITE/Household use Power Supply  
B=P/N: (料号) TR9CZ8421CCPIMR6B  
C=Model (型号) GTM961600P16019-T3  
D=Input (输入) 100-240V~, 50-60 Hz, 2.2A  
E=Output (输出) 19 V 8.42 A, 160.0W

|   |   |       |
|---|---|-------|
| GlobTek, Inc.<br>www.globtek.com<br>186 Veterans Drive,<br>Northvale, NJ 07647<br>Tel. (201) 784-1000<br>Fax (201) 784-0111 | Drawing Title: GTM961600P16019-T3, Medical/ITE/Household use Power Supply, Efficiency Level: VI, Case Color/Style: GlobTek Black, Desktop/External, Regulated Switchmode AC-DC Power Supply AC Adaptor, Input Rating: 100-240V~, 50-60 Hz, IEC 60320/C14, Output Rating: 160W, 19V@8.42A, Output Configuration: 1200 mm, 14/1C + Shield Cond, UL 1185, Female Barrel 5.5*2.1*11mm w/ Spring Clip & Locking Notch or Equal, Ferrite: None, GlobTek Black, GT Cord # C19506, Pin Out: Center Positive (+V), Blades/Input Cord: (Order Separately), Approvals: cETLus; CB 60601-1-11; CB 60601-1; cETLus; S-Mark IEC/EN 60601-1; EAC; Korea (18V Only); CB 60950; CB 60335; cETLus 60601-1 3rd; Korea (18V Only); CE; RoHS; China RoHS; Ukraine; WEEE; VCCI; Class I; Level VI; PSE; PSE; PSE; |       |
|   | Model No. GTM961600P16019-T3  |       |
|   | Part No./Ordering No. TR9CZ8421CCPIMR6B   | Rev B |

|  |   |
|--|---|
| AGENCY ONLINE DOCUMENTS  | <a href="http://www.globtek.info/certs/GTM961800P/">http://www.globtek.info/certs/GTM961800P/</a>   |
| CE EC-Declaration for Medical  | <a href="http://globtek.force.com/models/ec_declaration?id=a0Oa000000MmF9hEAF">http://globtek.force.com/models/ec_declaration?id=a0Oa000000MmF9hEAF</a> |
| CE EC-Declaration for Industrial/Commercial/ITE  | <a href="http://globtek.force.com/models/ec_declaration?id=a0Oa000000MmF9hEAF">http://globtek.force.com/models/ec_declaration?id=a0Oa000000MmF9hEAF</a> |
| CE EC-Declaration for Household  | <a href="http://globtek.force.com/models/ec_declaration?id=a0Oa000000MmF9hEAF">http://globtek.force.com/models/ec_declaration?id=a0Oa000000MmF9hEAF</a> |
| RoHS/RoHS3 Declaration   | <a href="https://www.globtek.com/pdf/rohs_cert/01t0c000008P8xZAAS">https://www.globtek.com/pdf/rohs_cert/01t0c000008P8xZAAS</a>                         |
| REACH Declaration  | <a href="https://www.globtek.com/pdf/iso_certificates/REACH.pdf">https://www.globtek.com/pdf/iso_certificates/REACH.pdf</a>                             |
| Conflict Minerals Declaration  | <a href="https://www.globtek.com/pdf/conflict-minerals.pdf">https://www.globtek.com/pdf/conflict-minerals.pdf</a>                                       |
| IPXY rating is based on 3rd party testing and customers should check suitability and test system level IPXY rating before ordering.                      |   |
| <h3>Regulatory Certifications/Label Markings</h3>  |   |
| LATEST PRODUCT/MODEL CERTIFICATIONS: <a href="http://en.globtek.com/datasheet/id/a0Oa000000MmF9h">http://en.globtek.com/datasheet/id/a0Oa000000MmF9h</a> |   |
| AGENCY ONLINE DOCUMENTS: <a href="http://www.globtek.info/certs/GTM961800P/">http://www.globtek.info/certs/GTM961800P/</a>                               |   |
|    | (F2) Isolated Functional Earth for GTM96 series, Improved EMC   |
|   | Center Positive (+V)  |

|   |   |       |
|---|---|-------|
| GlobTek, Inc.<br>www.globtek.com<br>186 Veterans Drive,<br>Northvale, NJ 07647<br>Tel. (201) 784-1000<br>Fax (201) 784-0111 | Drawing Title: GTM961600P16019-T3, Medical/ITE/Household use Power Supply, Efficiency Level: VI, Case Color/Style: GlobTek Black, Desktop/External, Regulated Switchmode AC-DC Power Supply AC Adaptor, Input Rating: 100-240V~, 50-60 Hz, IEC 60320/C14, Output Rating: 160W, 19V@8.42A, Output Configuration: 1200 mm, 14/1C + Shield Cond, UL 1185, Female Barrel 5.5*2.1*11mm w/ Spring Clip & Locking Notch or Equal, Ferrite: None, GlobTek Black, GT Cord # C19506, Pin Out: Center Positive (+V), Blades/Input Cord: (Order Separately), Approvals: cETLus; CB 60601-1-11; CB 60601-1; cETLus; S-Mark IEC/EN 60601-1; EAC; Korea (18V Only); CB 60950; CB 60335; cETLus 60601-1 3rd; Korea (18V Only); CE; RoHS; China RoHS; Ukraine; WEEE; VCCI; Class I; Level VI; PSE; PSE; PSE; |       |
|   | Model No. GTM961600P16019-T3  |       |
|   | Part No./Ordering No. TR9CZ8421CCPIMR6B   | Rev B |

## PACKAGING

|   |   |
|---|---|
| Packing Spec P/N:                             | Standard DT, Cellular packaging, User manual  |
| Box Qty:                                      | 20  |
| Gift Box Size (mm):                           | Cellular Packaging  |
| Gift Box Color:                               | None  |
| Master Carton Size (mm):                      | 450 x 461 x 182   |
| Master Carton Cubic Volume (m <sup>3</sup> ): | 0.04  |
| Master GW (Kg):                               | 16.0 kg   |
| BLADES INCLUDED:                              | None:   |
| BLADE/CORD INSTALLED:                         | None:   |
| USER MANUAL:                                  | 809-DESKTOPUSERMANUAL on A4 paper   |
| USER MANUAL WEB LINK:                         | <a href="https://en.globtek.com/pdf/809-DESKTOPUSERMANUA...">https://en.globtek.com/pdf/809-DESKTOPUSERMANUA...</a> |

If specific packaging is required, this section must specify all requirements and note "no exceptions". If this section does not specify packaging, it is subject to change without notice at GlobTek's discretion.



### PROPRIETARY INFORMATION

|  |  |       |
|--|--|-------|
| GloTek, Inc.<br>www.globtek.com<br>186 Veterans Drive,<br>Northvale, NJ 07647<br>Tel. (201) 784-1000<br>Fax (201) 784-0111 | Drawing Title: GTM961600P16019-T3, Medical/ITE/Household use Power Supply, Efficiency Level: VI, Case Color/Style: GlobTek Black, Desktop/External, Regulated Switchmode AC-DC Power Supply AC Adaptor, Input Rating: 100-240V~, 50-60 Hz, IEC 60320/C14 , Output Rating: 160W, 19V@8.42A, Output Configuration: 1200 mm, 14/1C + Shield Cond, UL 1185, Female Barrel 5.5*2.1*11mm w/ Spring Clip & Locking Notch or Equal, Ferrite: None, GlobTek Black, GT Cord # C19506, Pin Out: Center Positive (+V), Blades/Input Cord: (Order Separately), Approvals: cETLus; CB 60601-1-11; CB 60601-1; cETLus; S-Mark IEC/EN 60601-1; EAC; Korea (18V Only); CB 60950; CB 60335; cETLus 60601-1 3rd; Korea (18V Only); CE; RoHS; China RoHS; Ukraine; WEEE; VCCI; Class I; Level VI; PSE; PSE; PSE; |       |
|  | Model No. GTM961600P16019-T3   |       |
|  | Part No./Ordering No. TR9CZ8421CCPIMR6B  | Rev B |

## INSTRUCTIONS TO THE OEM SYSTEMS ENGINEER

It is the responsibility of the OEM systems engineer to provide the end system user instructions and warnings for the use of this product in the end system.

If an input cord is required for this product, AC Mains voltage should be provided to the power supply by a power supply cord approved to the national standards of the country in which it will be used.

This power supply is not designed to be repaired. No serviceable parts inside. A blown internal fuse is an indication of catastrophic failure of circuit component(s). If a Failure Analysis is required for a failed power supply/battery charger, please return the damaged unit to Globtek for an accurate determination of the root cause of the failure.

EMC Compliance of the complete OEM product, including the GlobTek power supply/battery charger needs to be verified by the OEM systems engineer.

## INSTRUCTION SHEET

N/A