

GloTek, Inc. www.globtek.com 186 Veterans Drive, Northvale, NJ 07647 Tel. (201) 784-1000 Fax (201) 784-0111	Drawing Title: GTM96605-GEN2-A1-T3, Adaptive Power USB Source, ITE/Medical, Efficiency Level: VI, Case Color/Style: GlobTek Black, Desktop/External, USB Adaptive Power Supply AC Adaptor, Input Rating: 100-240V~, 50-60Hz, IEC 60320/C14 , Output Rating: 60W, 5V, 5.8V, 9V, 12V, 15V, 20VV@4.6A, 4.6A, 4.4A, 4A, 3.6A, 3AA, Output Configuration: 1500 mm, 2C 20 + 3C 28/5C + Shield Cond, N/A, USB Type-C Connector, Ferrite: None, GlobTek Black, GT Cord # C16294, Pin Out: +V: A4, A9, B4, B9, GND: A1, A12, B1, B12, CC1: A5, D+:A6, D-:A7, Blades/Input Cord: Not Applicable, Approvals: WEEE; S-Mark IEC/EN 60601-1; VCCI; CE; China RoHS; RoHS; Level VI; Class I; EAC; Ukraine; CB 60601-1 2MOPP; CB 60950; UL 1310; CB 62368; CCC; ETL 62368; ETL; cETLus 60601-1 3rd; cETLus 60601; RCM; S-Mark 60950; PSE;	
	Model No. GTM96605-GEN2-A1-T3	
	Part No./Ordering No. TR9CZ3000USBCG2R6BF2	Rev C

## REVISION HISTORY

REV	DESCRIPTION	SUB	DATE	APPROVED
C	Update Grounding configuration to F2	QA	11/28/2018	QA
B	Update approvals	QA	06/11/2018	QA
A	Initial Release	svlas	06/04/2018	QA

In Addition to GlobTek Inc.'s renewed ISO9001:2015 - Quality Management System Certification, GlobTek Inc. is now certified to:

ISO13485:2016 - Medical Devices Quality Management System Certification

ISO14001:2015 - Environmental Management System Certification

ISO Certificates are available online at <https://www.globtek.com/iso-certificates/>

### Customer Approval of Specification:

Please approve, sign and send back to GlobTek so we can complete order processing.

A delay in receipt of this form will delay delivery schedule.

Company Name:

Customer P/N:

Quote Number:

Date:

Authorized Representative Name:

Authorized Representative Signature:

The acceptance of this specification and use of the product described in this document indicates the acceptance and binding of the customer to Globtek terms and conditions, which supersede all other agreements, terms, and conditions (<https://en.globtek.com/terms-and-conditions/>).

### Footnote:

GlobTek Inc. will not be liable for the safety and performance of these power supplies if unauthorized access and repair occurs. End user should consult applicable UL, CSA or EN standards for proper installation instruction.

### Limitation of Use:

GlobTek products are intended for use with commercial, medical, and/or industrial equipment only. GlobTek product are not authorized for use as mission critical components in life support hazardous environment, nuclear or aircraft applications without prior written approval from the CEO of GlobTek Inc.

Contents of this document are subject to change without prior notice.

<b>GlobTek, Inc.</b> www.globtek.com 186 Veterans Drive, Northvale, NJ 07647 Tel. (201) 784-1000 Fax (201) 784-0111	Drawing Title: GTM96605-GEN2-A1-T3, Adaptive Power USB Source, ITE/Medical, Efficiency Level: VI, Case Color/Style: GlobTek Black, Desktop/External, USB Adaptive Power Supply AC Adaptor, Input Rating: 100-240V~, 50-60Hz, IEC 60320/C14 , Output Rating: 60W, 5V, 5.8V, 9V, 12V, 15V, 20VV@4.6A, 4.6A, 4.4A, 4A, 3.6A, 3AA, Output Configuration: 1500 mm, 2C 20 + 3C 28/5C + Shield Cond, N/A, USB Type-C Connector, Ferrite: None, GlobTek Black, GT Cord # C16294, Pin Out: +V: A4, A9, B4, B9, GND: A1, A12, B1, B12, CC1: A5, D+:A6, D-:A7, Blades/Input Cord: Not Applicable, Approvals: WEEE; S-Mark IEC/EN 60601-1; VCCI; CE; China RoHS; RoHS; Level VI; Class I; EAC; Ukraine; CB 60601-1 2MOPP; CB 60950; UL 1310; CB 62368; CCC; ETL 62368; ETL; cETLus 60601-1 3rd; cETLus 60601; RCM; S-Mark 60950; PSE;	
	Model No. GTM96605-GEN2-A1-T3	
	Part No./Ordering No. TR9CZ3000USBCG2R6BF2	Rev C

## POWER SUPPLY INFORMATION

TYPE:	Desktop/External
TECHNOLOGY:	USB Adaptive Power Supply AC Adaptor
CASE COLOR:	GlobTek Black
NAMEPLATE RATED INPUT:	100-240V~, 50-60Hz, 1.5A
INPUT CONFIG:	IEC 60320/C14
WATTS:	60.0
VOLTS OUT:	5V, 5.8V, 9V, 12V, 15V, 20V
CURRENT OUT (Amps):	4.6A, 4.6A, 4.4A, 4A, 3.6A, 3A
BLADE/CORD INCLUDED:	N/A
BLADE/CORD INSTALLED:	N/A
INGRESS PROTECTION:	
GROUNDING CONFIGURATION:	(F2) Isolated Functional Earth for GTM96 series, Improved EMC
EFFICIENCY LEVEL:	VI
OUTPUT CONFIGURATION:	1500 mm, 2C 20 + 3C 28/5C + Shield Cond, N/A, USB Type-C Connector, Ferrite: None, GlobTek Black, GT Cord # C16294
OVERMOLDED:	Yes
CONNECTOR PIN OUT:	+V: A4, A9, B4, B9, GND: A1, A12, B1, B12, CC1: A5, D+:A6, D-:A7
LABEL SPECS:	Standard GT,L-1186
SPECIAL BARCODE LABEL	
MATERIAL:	No
PACK SPEC:	Standard DT, Cellular packaging, User manual
USER MANUAL:	809-DESKTOPUSERMANUAL

Notes/Modifications/Customizations (notes in this section supersede the values shown in the standard spec):

DIMENSIONS ARE IN MM UNLESS SPECIFIED OTHERWISE.

### PROPRIETARY INFORMATION

PROPRIETARY OF GLOBTEK, INC. ANY REPRODUCTION, DISCLOSURE OR USE OF THIS DRAWING, IN WHOLE OR IN PART, IS HEREBY PROHIBITED EXCEPT AS SPECIFIED IN WRITING BY GLOBTEK, INC. © GlobTek, Inc. 2018 - 2019

<b>GlobTek, Inc.</b> www.globtek.com 186 Veterans Drive, Northvale, NJ 07647 Tel. (201) 784-1000 Fax (201) 784-0111	Drawing Title: GTM96605-GEN2-A1-T3, Adaptive Power USB Source, ITE/Medical, Efficiency Level: VI, Case Color/Style: GlobTek Black, Desktop/External, USB Adaptive Power Supply AC Adaptor, Input Rating: 100-240V~, 50-60Hz, IEC 60320/C14 , Output Rating: 60W, 5V, 5.8V, 9V, 12V, 15V, 20VV@4.6A, 4.6A, 4.4A, 4A, 3.6A, 3AA, Output Configuration: 1500 mm, 2C 20 + 3C 28/5C + Shield Cond, N/A, USB Type-C Connector, Ferrite: None, GlobTek Black, GT Cord # C16294, Pin Out: +V: A4, A9, B4, B9, GND: A1, A12, B1, B12, CC1: A5, D+:A6, D-:A7, Blades/Input Cord: Not Applicable, Approvals: WEEE; S-Mark IEC/EN 60601-1; VCCI; CE; China RoHS; RoHS; Level VI; Class I; EAC; Ukraine; CB 60601-1 2MOPP; CB 60950; UL 1310; CB 62368; CCC; ETL 62368; ETL; cETLus 60601-1 3rd; cETLus 60601; RCM; S-Mark 60950; PSE;	
	Model No. GTM96605-GEN2-A1-T3	
	Part No./Ordering No. TR9CZ3000USBCG2R6BF2	Rev C

## ELECTRICAL SPECIFICATIONS

### OUTPUT CAPABILITIES:

Following communication formats supported: USB PD 2.0/3.0, QC 2.0/3.0, QC 4.0/4.0+

### OUTPUT PARAMETERS for USB2.0/3.0 Applications

Communications: Using CC1 pin on USB type C connector

Initial Output State: 5V/2A

Advertised PDO Voltages/Currents rating:

-A1 option: 5V/4.6A, 5.8V/4.6A, 9V/4.4A, 12V/4A, 15V/3.6A and 20V/3A (high current)

-A2 option: 5V/3A, 5.8V/3A, 9V/3A, 12V/3A, 15V/3A and 20V/3A (limited current)

A1 option is the standard config, a permanently attached, 1.5M Length, 20 Gauge shielded power cable, with a 5A rated type C connector at the cord end is used.

A2 option is a non-standard config, for when a detachable output cable is required. Contact factory for availability.

### OUTPUT PARAMETERS for QC2.0/3.0 Applications

Communications: Using D+ and D- pins on the USB type C connector

Initial Output State: 5V/2A

HVDCP Class B Output Voltages/Currents rating:

D+	D-	Output
0.6V	GND	5V/4.6A
3.3V	0.6V	9V/4.4A
0.6V	0.6V	12V/4A
3.3V	3.3V	20V/3A
0.6V	3.3V	Continuous Mode, adjusts from 3.6V to 20V in 200mV steps

Permanently attached, 1.5M Length, 20 Gauge with shield power cable

### A) GENERAL ELECTRICAL SPECIFICATIONS:

01. Input Voltage: Specified 90-264 Vac, Nameplate rated: 100-240Vac

90-264 Vac range @ 100% of rated load current

85-264 Vac range @ 85% of rated load current

110-370 VDC range @ 100% of rated load current

02. Input Frequency: Specified 47-63 Hz, Nameplate rated 50-60Hz

03. Output Regulation: +/- 4% measured at the output connector

04. Line Voltage Regulation: +/- 0.5% typical measured at full load

05. Green Power On Indicator LED

06. Output Ripple (Vp-p): 100 mV, measured at 20 MHz bandwidth with 0.1 uf ceramic capacitor in parallel with a low impedance 47 uf electrolytic capacitor connected at the end of the output connector

07. Turn-ON/OFF Overshoot: 5% maximum, 1 mS typical recovery time for 40% to 70% step load

08. Turn-ON Delay: 1 second maximum @ full load, nominal line

09. Hold-Up Time: 8 mS typical @ nominal input voltage and full load

10. Inrush Current: 30A/60A maximum cold start @ 115/230Vac input

11. Efficiency: Compliant with Efficiency Level VI and CoC Tier 2 standards

12. No Load Standby Power: <0.075 W @ 230Vac

### B) PROTECTION

01. Input Protection: Input line fusing and 300Vac MOV

02. Short Circuit/ Overload: Electronically Protected unit will auto recover upon removal of fault

Output Current Limit: 110% to 135% of rated output current

## PROPRIETARY INFORMATION

PROPRIETARY OF GLOBTEK, INC. ANY REPRODUCTION, DISCLOSURE OR USE OF THIS DRAWING, IN WHOLE OR IN PART, IS HEREBY PROHIBITED EXCEPT AS SPECIFIED IN

WRITING BY GLOBTEK, INC. © GlobTek, Inc. 2018 - 2019

quest /05/20/2019 2:39:55 PM CLONED FROM TR9KZ3000USBCFG2R6B

GlobTek, Inc. www.globtek.com 186 Veterans Drive, Northvale, NJ 07647 Tel. (201) 784-1000 Fax (201) 784-0111	Drawing Title: GTM96605-GEN2-A1-T3, Adaptive Power USB Source, ITE/Medical, Efficiency Level: VI, Case Color/Style: GlobTek Black, Desktop/External, USB Adaptive Power Supply AC Adaptor, Input Rating: 100-240V~, 50-60Hz, IEC 60320/C14 , Output Rating: 60W, 5V, 5.8V, 9V, 12V, 15V, 20VV@4.6A, 4.6A, 4.4A, 4A, 3.6A, 3AA, Output Configuration: 1500 mm, 2C 20 + 3C 28/5C + Shield Cond, N/A, USB Type-C Connector, Ferrite: None, GlobTek Black, GT Cord # C16294, Pin Out: +V: A4, A9, B4, B9, GND: A1, A12, B1, B12, CC1: A5, D+:A6, D-:A7, Blades/Input Cord: Not Applicable, Approvals: WEEE; S-Mark IEC/EN 60601-1; VCCI; CE; China RoHS; RoHS; Level VI; Class I; EAC; Ukraine; CB 60601-1 2MOPP; CB 60950; UL 1310; CB 62368; CCC; ETL 62368; ETL; cETLus 60601-1 3rd; cETLus 60601; RCM; S-Mark 60950; PSE;	
	Model No. GTM96605-GEN2-A1-T3	
	Part No./Ordering No. TR9CZ3000USBCG2R6BF2	Rev C

03. Output Over-Voltage: 25Vdc max

C) SAFETY

01. Dielectric Withstand Voltage: 4000Vac or 5656Vdc from input to output,
02. Earth Leakage Current: 3 conductor AC input models < 300uA, N/A for 2 conductor input models
03. Touch Current: 3 conductor AC input models < 20uA, 2 conductor input models < 65uA
04. Output Isolation Options:
  - a) C8 Inlet, Class II (Standard)
  - b) C6 or C14 Inlet, Class II FE, Output Isolated from Earth contact (Standard)
  - c) C6 or C14 Inlet, Class I, Output directly attached to Earth contact
05. Means of Protection: 2 x MOPP
06. Compliant Standards: See listings at end of this drawing for specifics

D) EMC

- EN 60601-1-2, 4<sup>th</sup> edition  
Emissions, per EN 55032, EN 61000-6-3, EN 61000-6-4  
Conducted Emissions: Class B, FCC Part 15, Class B  
Radiated Emissions: Class B, FCC Part 15, Class B  
Line Frequency Harmonics EN61000-3-2, Class A  
Voltage Fluctuations/Flicker EN61000-3-3
- Immunity, per EN 55024, EN 61000-6-1, EN 61000-6-2  
Static Discharge Immunity EN61000-4-2, 10kV Contact Discharge, 20kV air discharge  
Radiated RF Immunity EN61000-4-3, 10V/m 80-1000MHz, 3V/m 1-2.7GHz, 80% 1KHz AM.  
EFT/Burst Immunity EN61000-4-4, 4kV/100kHz.  
Line Surge Immunity EN61000-4-5, 2kV differential, 4kV common-mode  
Conducted RF Immunity EN61000-4-6, 3Vrms, 80% 1KHz AM  
Power Frequency Magnetic Field Immunity EN61000-4-8, 3A/m  
Voltage Dip Immunity EN61000-4-11, Criteria

E) OTHER:

01. MTBF: 300,000 Hours @ 25°C ambient temperature
02. Operating Temperature: -10°C to 40°C ambient temperature at full load, -10°C to 50°C ambient temperature with derating to 80% load
03. Operating Humidity: 0% to 95% relative humidity, non-condensing
04. Storage Temperature: -30°C to 80°C
05. Operating Altitude: 5000 Meters
06. ROHS 2: Complies with EU 2011/65/EU and China SJ/T 11363-2006

F) ENCLOSURE

01. Housing: High impact plastic, 94V0 polycarbonate, non-vented
02. Markings: Label or Laser Printed
03. AC Input mechanical options: Desktop C6, C8, C14 or C18 IEC Inlet.  
Hybrid option (Desktop or Wall Plug-in) Class I or Class II input

G) SPECIAL OPTIONS

01. Detachable USB C Output Cordset (contact factory for availability)
02. Special Fixed Output Cord length, 1M, 2M or 3M lengths
03. Custom Markings, and Marking methods
04. Special Housing Colors and Cordset Colors

PROPRIETARY INFORMATION

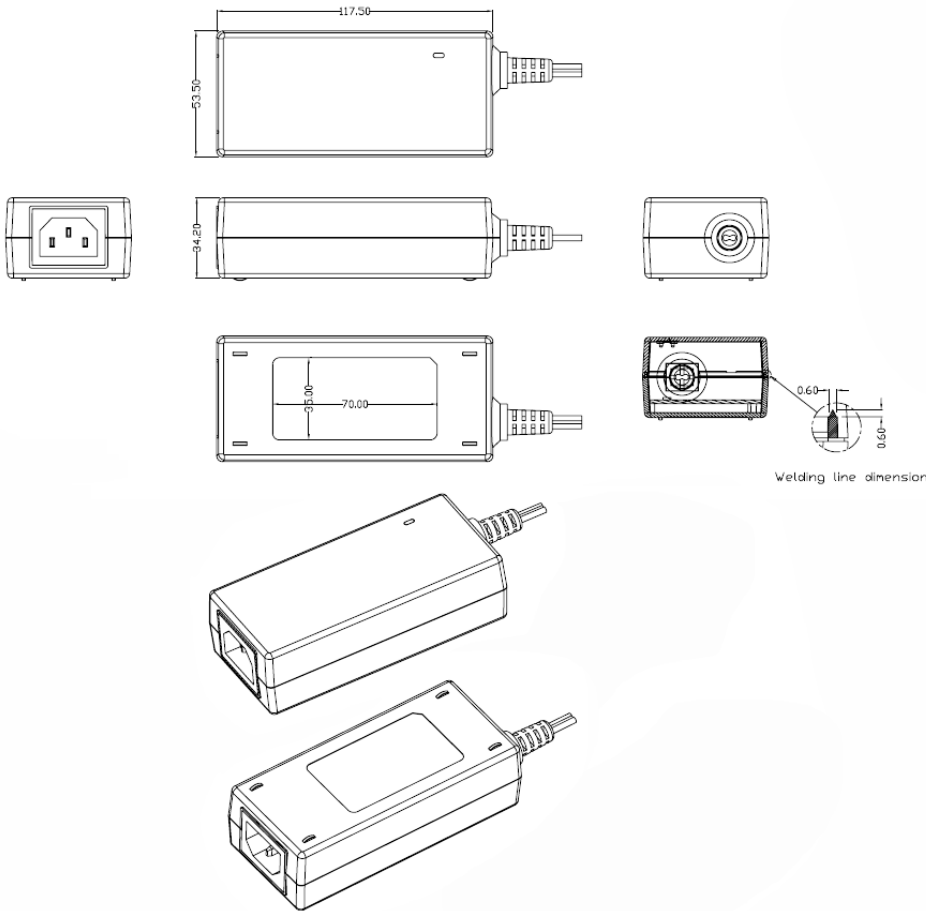
PROPRIETARY OF GLOBTEK, INC. ANY REPRODUCTION, DISCLOSURE OR USE OF THIS DRAWING, IN WHOLE OR IN PART, IS HEREBY PROHIBITED EXCEPT AS SPECIFIED IN

WRITING BY GLOBTEK, INC. © GlobTek, Inc. 2018 - 2019

quest/05/20/2019 2:39:55 PM CLONED FROM TR9KZ3000USBCFG2R6B

GlobTek, Inc. www.globtek.com 186 Veterans Drive, Northvale, NJ 07647 Tel. (201) 784-1000 Fax (201) 784-0111	Drawing Title: GTM96605-GEN2-A1-T3, Adaptive Power USB Source, ITE/Medical, Efficiency Level: VI, Case Color/Style: GlobTek Black, Desktop/External, USB Adaptive Power Supply AC Adaptor, Input Rating: 100-240V~, 50-60Hz, IEC 60320/C14, Output Rating: 60W, 5V, 5.8V, 9V, 12V, 15V, 20VV@4.6A, 4.6A, 4.4A, 4A, 3.6A, 3AA, Output Configuration: 1500 mm, 2C 20 + 3C 28/5C + Shield Cond, N/A, USB Type-C Connector, Ferrite: None, GlobTek Black, GT Cord # C16294, Pin Out: +V: A4, A9, B4, B9, GND: A1, A12, B1, B12, CC1: A5, D+:A6, D-:A7, Blades/Input Cord: Not Applicable, Approvals: WEEE; S-Mark IEC/EN 60601-1; VCCI; CE; China RoHS; RoHS; Level VI; Class I; EAC; Ukraine; CB 60601-1 2MOPP; CB 60950; UL 1310; CB 62368; CCC; ETL 62368; ETL; cETLus 60601-1 3rd; cETLus 60601; RCM; S-Mark 60950; PSE;	
	Model No. GTM96605-GEN2-A1-T3	
	Part No./Ordering No. TR9CZ3000USBCG2R6BF2	Rev C

- 05. USB Micro B connector at end of cordset for QC2.0/3.0 applications.
- 06. Tighter output voltage tolerance
- 07. Special PD3.0 output voltage, selectable between 3.6V and 20V
- 08. Constant Current battery Charging, with constant Voltage Top-off, and max charge duration timer



DERATING CURVE

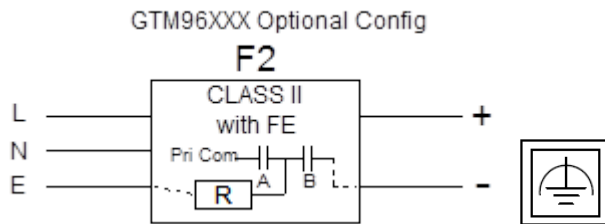
GlobTek, Inc. www.globtek.com 186 Veterans Drive, Northvale, NJ 07647 Tel. (201) 784-1000 Fax (201) 784-0111	Drawing Title: GTM96605-GEN2-A1-T3, Adaptive Power USB Source, ITE/Medical, Efficiency Level: VI, Case Color/Style: GlobTek Black, Desktop/External, USB Adaptive Power Supply AC Adaptor, Input Rating: 100-240V~, 50-60Hz, IEC 60320/C14, Output Rating: 60W, 5V, 5.8V, 9V, 12V, 15V, 20VV@4.6A, 4.6A, 4.4A, 4A, 3.6A, 3AA, Output Configuration: 1500 mm, 2C 20 + 3C 28/5C + Shield Cond, N/A, USB Type-C Connector, Ferrite: None, GlobTek Black, GT Cord # C16294, Pin Out: +V: A4, A9, B4, B9, GND: A1, A12, B1, B12, CC1: A5, D+:A6, D-:A7, Blades/Input Cord: Not Applicable, Approvals: WEEE; S-Mark IEC/EN 60601-1; VCCI; CE; China RoHS; RoHS; Level VI; Class I; EAC; Ukraine; CB 60601-1 2MOPP; CB 60950; UL 1310; CB 62368; CCC; ETL 62368; ETL; cETLus 60601-1 3rd; cETLus 60601; RCM; S-Mark 60950; PSE;	
	Model No. GTM96605-GEN2-A1-T3	
	Part No./Ordering No. TR9CZ3000USBCG2R6BF2	Rev C



GlobTek, Inc. www.globtek.com 186 Veterans Drive, Northvale, NJ 07647 Tel. (201) 784-1000 Fax (201) 784-0111	Drawing Title: GTM96605-GEN2-A1-T3, Adaptive Power USB Source, ITE/Medical, Efficiency Level: VI, Case Color/Style: GlobTek Black, Desktop/External, USB Adaptive Power Supply AC Adaptor, Input Rating: 100-240V~, 50-60Hz, IEC 60320/C14 , Output Rating: 60W, 5V, 5.8V, 9V, 12V, 15V, 20VV@4.6A, 4.6A, 4.4A, 4A, 3.6A, 3AA, Output Configuration: 1500 mm, 2C 20 + 3C 28/5C + Shield Cond, N/A, USB Type-C Connector, Ferrite: None, GlobTek Black, GT Cord # C16294, Pin Out: +V: A4, A9, B4, B9, GND: A1, A12, B1, B12, CC1: A5, D+:A6, D-:A7, Blades/Input Cord: Not Applicable, Approvals: WEEE; S-Mark IEC/EN 60601-1; VCCI; CE; China RoHS; RoHS; Level VI; Class I; EAC; Ukraine; CB 60601-1 2MOPP; CB 60950; UL 1310; CB 62368; CCC; ETL 62368; ETL; cETLus 60601-1 3rd; cETLus 60601; RCM; S-Mark 60950; PSE;	
	Model No. GTM96605-GEN2-A1-T3	
	Part No./Ordering No. TR9CZ3000USBCG2R6BF2	Rev C

## INPUT CONFIGURATION

(F2) Isolated Functional Earth for GTM96 series, Improved EMC

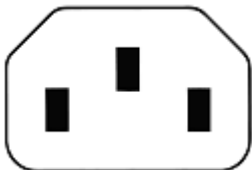


[Alternate grounding configurations](#) available upon request.

Blades/Cord Included:N/A:

Blades/Cord Installed:N/A:

IEC 60320/C14 AC Inlet Connector, Class I, Earth Ground



Mates with IEC 60320/C13 Plug

Optional Locking IEC60320 Receptacle and cord option available on some models by request.:



## [Standard International IEC 320/C13 Cordsets](#)

Below are standard cordsets which are "not included" (unless stated above); these can be purchased separately or packaged with the power supply. Contact your Sales Engineer if the style required is not shown below. Many more available in different lengths, colors or cable material.

## Stock Power Supply Cords

Part Number/ Link	Country	Plug	Termination	Length (mm)	(Ft)

### PROPRIETARY INFORMATION

PROPRIETARY OF GLOBTEK, INC. ANY REPRODUCTION, DISCLOSURE OR USE OF THIS DRAWING, IN WHOLE OR IN PART, IS HEREBY PROHIBITED EXCEPT AS SPECIFIED IN

WRITING BY GLOBTEK, INC. © GlobTek, Inc. 2018 - 2019

quest /05/20/2019 2:39:55 PM CLONED FROM TR9KZ3000USBCFG2R6B

GlobTek, Inc. www.globtek.com 186 Veterans Drive, Northvale, NJ 07647 Tel. (201) 784-1000 Fax (201) 784-0111	Drawing Title: GTM96605-GEN2-A1-T3, Adaptive Power USB Source, ITE/Medical, Efficiency Level: VI, Case Color/Style: GlobTek Black, Desktop/External, USB Adaptive Power Supply AC Adaptor, Input Rating: 100-240V~, 50-60Hz, IEC 60320/C14, Output Rating: 60W, 5V, 5.8V, 9V, 12V, 15V, 20VV@4.6A, 4.6A, 4.4A, 4A, 3.6A, 3AA, Output Configuration: 1500 mm, 2C 20 + 3C 28/5C + Shield Cond, N/A, USB Type-C Connector, Ferrite: None, GlobTek Black, GT Cord # C16294, Pin Out: +V: A4, A9, B4, B9, GND: A1, A12, B1, B12, CC1: A5, D+:A6, D-:A7, Blades/Input Cord: Not Applicable, Approvals: WEEE; S-Mark IEC/EN 60601-1; VCCI; CE; China RoHS; RoHS; Level VI; Class I; EAC; Ukraine; CB 60601-1 2MOPP; CB 60950; UL 1310; CB 62368; CCC; ETL 62368; ETL; cETLus 60601-1 3rd; cETLus 60601; RCM; S-Mark 60950; PSE;	
	Model No. GTM96605-GEN2-A1-T3	
	Part No./Ordering No. TR9CZ3000USBCG2R6BF2	Rev C

<a href="#">3021457F701(R)</a>	N. American (Type B)	NEMA 5-15P	IEC 320/C13	2150	7
<a href="#">1191068F0701(R)</a>	N. American (Type B)	NEMA 5-15P Hospital	IEC 320/C13	2459	8
<a href="#">2194272M5701-T(R)</a>	Argentina (Type I)	IRAM 2073	IEC 320/C13	2500	8
<a href="#">5502022M5701A(R)</a>	Australian (Type I)	AS3112 / 3 PRONG	IEC 320/C13	2500	8
<a href="#">204B4272M5701(R)</a>	Brazil (Type N)	BRAZIL	IEC 320/C13	2500	8
<a href="#">6023602M5701(R)</a>	China (Type I)	CCC GR2099	IEC 320/C13	2500	8
<a href="#">G8014272M5701(R)</a>	Danish (Type K)	AFSNIT SECTION 107-2-D1	IEC 320/C13	2500	8
<a href="#">23144272M5701-T(R)</a>	Europe (Type E)	CEE 7/7	IEC 320/C13	2500	8
<a href="#">205IN4272M5701(R)</a>	India (Type D)	India IS 1293 (also known as IA16A3 or BS546)	IEC 320/C13	2500	8
<a href="#">208IN4272M5701(R)</a>	India (Type M)	India IS 1293 (also known as IA16A3 or BS546)	IEC320/C13	2500	8
<a href="#">377C4272M5701(R)</a>	Israel (Type H)	ISL 377C	IEC 320/C13	2500	8
<a href="#">23024272M5701(R)</a>	Italy (Type L)	CEI 23-16/VII	IEC 320/C13	2500	8
<a href="#">3003339F701(R)</a> [3x1.25mm2]	Japan (Type B)	JIS 8303 / 3 PINS	IEC 320/C13	2500	8
<a href="#">3003068F2701-HK(R)</a> [3 x 2.0mm2]					
<a href="#">302J115J6F0701J(R)</a>	Japan / North America (Type B – 12A)	JIS 8303 / 3 PINS and NEMA 5-15P (PSE and UL/CUL appr)	IEC 320/C13	1830	6
<a href="#">302J104J6F0701J(R)</a>	Japan / North America (Type B – 15A)	JIS 8303 / 3 PINS and NEMA 5-15P (PSE and UL/CUL appr)	IEC 320/C13	1830	6
<a href="#">2313K3432M5701(R)</a>	Korea (Type F)	KS C 8305	IEC 320/C13	2500	8
<a href="#">5804272M5701(R)</a>	Russia (Type F)	GOST 7396	IEC 320/C13	2500	8
<a href="#">205SA4272M5701(R)</a>	South Africa (Type D)	South Africa SABS164-1 (6A type)	IEC 320/C13	2500	8
<a href="#">2084272M5701(R)</a>	South Africa (Type M)	South Africa SABS164-1 (16A type)	IEC 320/C13	2500	8
<a href="#">23214272M5701(R)</a>	Switzerland (Type J)	SEV 1011	IEC 320/C13	2500	8
<a href="#">3003322M5701(R)</a>	Taiwan (Type B)	BSMI	IEC 320/C13	2500	8
<a href="#">PZ0800100-2M5BK13H(R)</a>	UK, Hong Kong, Singapore, Gulf States (Type G)	BS 1363A	IEC 320/C13	2500	8
<a href="#">7055002M5701A(R)</a>	International	IEC 320 C14-C13	IEC 320/C13	2500	8



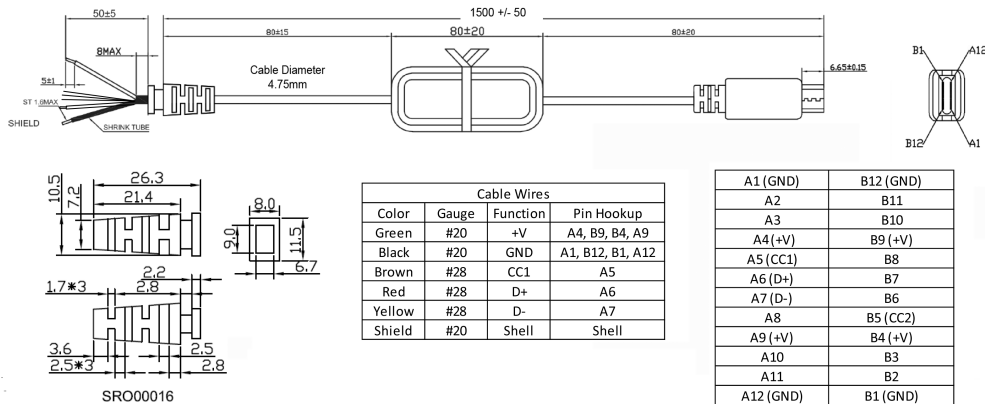
GlobTek, Inc. www.globtek.com 186 Veterans Drive, Northvale, NJ 07647 Tel. (201) 784-1000 Fax (201) 784-0111	Drawing Title: GTM96605-GEN2-A1-T3, Adaptive Power USB Source, ITE/Medical, Efficiency Level: VI, Case Color/Style: GlobTek Black, Desktop/External, USB Adaptive Power Supply AC Adaptor, Input Rating: 100-240V~, 50-60Hz, IEC 60320/C14, Output Rating: 60W, 5V, 5.8V, 9V, 12V, 15V, 20VV@4.6A, 4.6A, 4.4A, 4A, 3.6A, 3AA, Output Configuration: 1500 mm, 2C 20 + 3C 28/5C + Shield Cond, N/A, USB Type-C Connector, Ferrite: None, GlobTek Black, GT Cord # C16294, Pin Out: +V: A4, A9, B4, B9, GND: A1, A12, B1, B12, CC1: A5, D+:A6, D-:A7, Blades/Input Cord: Not Applicable, Approvals: WEEE; S-Mark IEC/EN 60601-1; VCCI; CE; China RoHS; RoHS; Level VI; Class I; EAC; Ukraine; CB 60601-1 2MOPP; CB 60950; UL 1310; CB 62368; CCC; ETL 62368; ETL; cETLus 60601-1 3rd; cETLus 60601; RCM; S-Mark 60950; PSE;	
	Model No. GTM96605-GEN2-A1-T3	
	Part No./Ordering No. TR9CZ3000USBCG2R6BF2	Rev C

**OUTPUTCORD AND CONNECTOR: USBC31/C16294**

ACTUAL CONNECTORS, OVERMOLDS, FERRITES MAY VARY SLIGHTLY FROM THE PICTURE BELOW

CABLE TYPE	N/A
CABLE LENGTH#160;(mm)	1500
CABLE TOLERANCE#160;(mm)	±50
WIRE GAUGE (AWG)	2C 20 + 3C 28
CONDUCTORS	5C + Shield
HANK DIMENSION (mm)	80+/-20
CABLE / CONNECTOR OVERMOLD COLOR	GlobTek Black
FERRITE TYPE / DIMENSION	None
FERRITE # OF TURNS(Definition)	N/A
FERRITE DIMENSION FROM STRAIN RELIEF	N/A
FERRITE DIMENSION FROM PLUG	N/A
PLUG TYPE	USB Type-C Connector
OUTPUT CONNECTOR SEX	
OVERMOLDED	Yes
OVER MOLD ORIENTATION	Straight
CONNECTOR PIN OUT:	+V: A4, A9, B4, B9, GND: A1, A12, B1, B12, CC1: A5, D+:A6, D-:A7

**ADDITIONAL REQUIREMENTS**



ADDITIONAL OUTPUT PLUG OPTIONS ARE AVAILABLE AT <https://www.globtek.com/connectors/>  
 STANDARD PLUGS AND CONNECTORS CAN BE SEEN ONLINE AT <https://www.globtek.com/connectors/>

GlobTek, Inc. www.globtek.com 186 Veterans Drive, Northvale, NJ 07647 Tel. (201) 784-1000 Fax (201) 784-0111	Drawing Title: GTM96605-GEN2-A1-T3, Adaptive Power USB Source, ITE/Medical, Efficiency Level: VI, Case Color/Style: GlobTek Black, Desktop/External, USB Adaptive Power Supply AC Adaptor, Input Rating: 100-240V~, 50-60Hz, IEC 60320/C14 , Output Rating: 60W, 5V, 5.8V, 9V, 12V, 15V, 20VV@4.6A, 4.6A, 4.4A, 4A, 3.6A, 3AA, Output Configuration: 1500 mm, 2C 20 + 3C 28/5C + Shield Cond, N/A, USB Type-C Connector, Ferrite: None, GlobTek Black, GT Cord # C16294, Pin Out: +V: A4, A9, B4, B9, GND: A1, A12, B1, B12, CC1: A5, D+:A6, D-:A7, Blades/Input Cord: Not Applicable, Approvals: WEEE; S-Mark IEC/EN 60601-1; VCCI; CE; China RoHS; RoHS; Level VI; Class I; EAC; Ukraine; CB 60601-1 2MOPP; CB 60950; UL 1310; CB 62368; CCC; ETL 62368; ETL; cETLus 60601-1 3rd; cETLus 60601; RCM; S-Mark 60950; PSE;	
	Model No. GTM96605-GEN2-A1-T3	
	Part No./Ordering No. TR9CZ3000USBCG2R6BF2	Rev C

LABEL:L-1186

LABEL P/N: Standard GT  
MATERIAL: Flat Thermal Transfer, Imprintable, Polyester Label and/or Pad Printed and/or Molded, and/or Laser Engraved in the case  
BACKGROUND COLOR: Black if housing is Black, White or Silver if housing is White or Gray.  
TEXT COLOR: White or Silver if label is Black Background for Black housing. Black if label is White or Silver background and Housing is White or Gray  
LABEL WIDTH (mm):  
LABEL HEIGHT (mm):  
SPECIAL BARCODE LABEL No  
MATERIAL:

Below is the minimum information which will appear on the label. NOTE: in the logo area additional/actual positioning of symbols and text is subjected to change as per agency updates/requirements or additional model approvals become available.  
Regulatory certifications/label markings may be in logo area on the label or molded into the case housing outside the label area.  
Information will be shown via label and/or pad printed and/or molded and/or laser engraved in the case. \* Date code markings at GlobTek option.



A=Adaptive Power USB Source, ITE/Medical  
B=P/N: (料号) TR9CZ3000USBCG2R6BF2  
C=Model (型号) GTM96605-GEN2-A1-T3  
D=Input (输入) 100-240V~, 50-60Hz, 1.5A

GlobTek, Inc. www.globtek.com 186 Veterans Drive, Northvale, NJ 07647 Tel. (201) 784-1000 Fax (201) 784-0111	Drawing Title: GTM96605-GEN2-A1-T3, Adaptive Power USB Source, ITE/Medical, Efficiency Level: VI, Case Color/Style: GlobTek Black, Desktop/External, USB Adaptive Power Supply AC Adaptor, Input Rating: 100-240V~, 50-60Hz, IEC 60320/C14 , Output Rating: 60W, 5V, 5.8V, 9V, 12V, 15V, 20VV@4.6A, 4.6A, 4.4A, 4A, 3.6A, 3AA, Output Configuration: 1500 mm, 2C 20 + 3C 28/5C + Shield Cond, N/A, USB Type-C Connector, Ferrite: None, GlobTek Black, GT Cord # C16294, Pin Out: +V: A4, A9, B4, B9, GND: A1, A12, B1, B12, CC1: A5, D+:A6, D-:A7, Blades/Input Cord: Not Applicable, Approvals: WEEE; S-Mark IEC/EN 60601-1; VCCI; CE; China RoHS; RoHS; Level VI; Class I; EAC; Ukraine; CB 60601-1 2MOPP; CB 60950; UL 1310; CB 62368; CCC; ETL 62368; ETL; cETLus 60601-1 3rd; cETLus 60601; RCM; S-Mark 60950; PSE;	
	Model No. GTM96605-GEN2-A1-T3	
	Part No./Ordering No. TR9CZ3000USBCG2R6BF2	Rev C

E=Output (輸出)

5V	===	4.6A
5.8V	===	4.6A
9V	===	4.4A
12V	===	4A
15V	===	3.6A
20V	===	3A

- AGENCY ONLINE DOCUMENTS <http://www.globtek.info/certs/GTM96605-GEN2/>
- CE EC-Declaration for Medical [Contact GlobTek for more information](#)
- CE EC-Declaration for Industrial/Commercial/ITE [http://globtek.force.com/models/ec\\_declaration?id=a000c00000PILwIEAH](http://globtek.force.com/models/ec_declaration?id=a000c00000PILwIEAH)
- CE EC-Declaration for Household [Contact GlobTek for more information](#)
- RoHS/RoHS3 Declaration [https://www.globtek.com/pdf/rohs\\_cert/01t0c000008l4ZqAAI](https://www.globtek.com/pdf/rohs_cert/01t0c000008l4ZqAAI)
- REACH Declaration [https://www.globtek.com/pdf/iso\\_certificates/REACH.pdf](https://www.globtek.com/pdf/iso_certificates/REACH.pdf)
- Conflict Minerals Declaration <https://www.globtek.com/pdf/conflict-minerals.pdf>
- IPXY rating is based on 3rd party testing and customers should check suitability and test system level IPXY rating before ordering.

## Regulatory Certifications/Label Markings

- LATEST PRODUCT/MODEL CERTIFICATIONS: <http://en.globtek.com/datasheet/id/a000c00000PILwI>
- AGENCY ONLINE DOCUMENTS: <http://www.globtek.info/certs/GTM96605-GEN2/>



(F2) Isolated Functional Earth for GTM96 series, Improved EMC



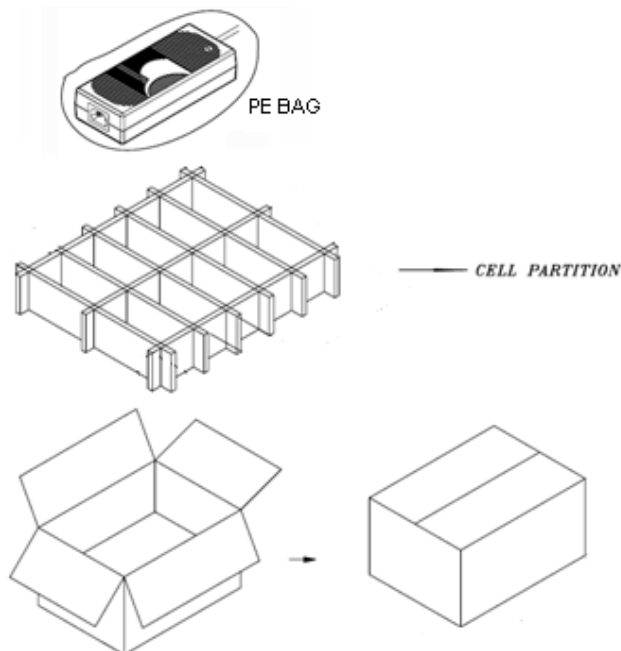
+V: A4, A9, B4, B9,  
GND: A1, A12, B1, B12,  
CC1: A5,  
D+:A6,  
D-:A7

GlobTek, Inc. www.globtek.com 186 Veterans Drive, Northvale, NJ 07647 Tel. (201) 784-1000 Fax (201) 784-0111	Drawing Title: GTM96605-GEN2-A1-T3, Adaptive Power USB Source, ITE/Medical, Efficiency Level: VI, Case Color/Style: GlobTek Black, Desktop/External, USB Adaptive Power Supply AC Adaptor, Input Rating: 100-240V~, 50-60Hz, IEC 60320/C14 , Output Rating: 60W, 5V, 5.8V, 9V, 12V, 15V, 20VV@4.6A, 4.6A, 4.4A, 4A, 3.6A, 3AA, Output Configuration: 1500 mm, 2C 20 + 3C 28/5C + Shield Cond, N/A, USB Type-C Connector, Ferrite: None, GlobTek Black, GT Cord # C16294, Pin Out: +V: A4, A9, B4, B9, GND: A1, A12, B1, B12, CC1: A5, D+:A6, D-:A7, Blades/Input Cord: Not Applicable, Approvals: WEEE; S-Mark IEC/EN 60601-1; VCCI; CE; China RoHS; RoHS; Level VI; Class I; EAC; Ukraine; CB 60601-1 2MOPP; CB 60950; UL 1310; CB 62368; CCC; ETL 62368; ETL; cETLus 60601-1 3rd; cETLus 60601; RCM; S-Mark 60950; PSE;	
	Model No. GTM96605-GEN2-A1-T3	
	Part No./Ordering No. TR9CZ3000USBCG2R6BF2	Rev C

## PACKAGING

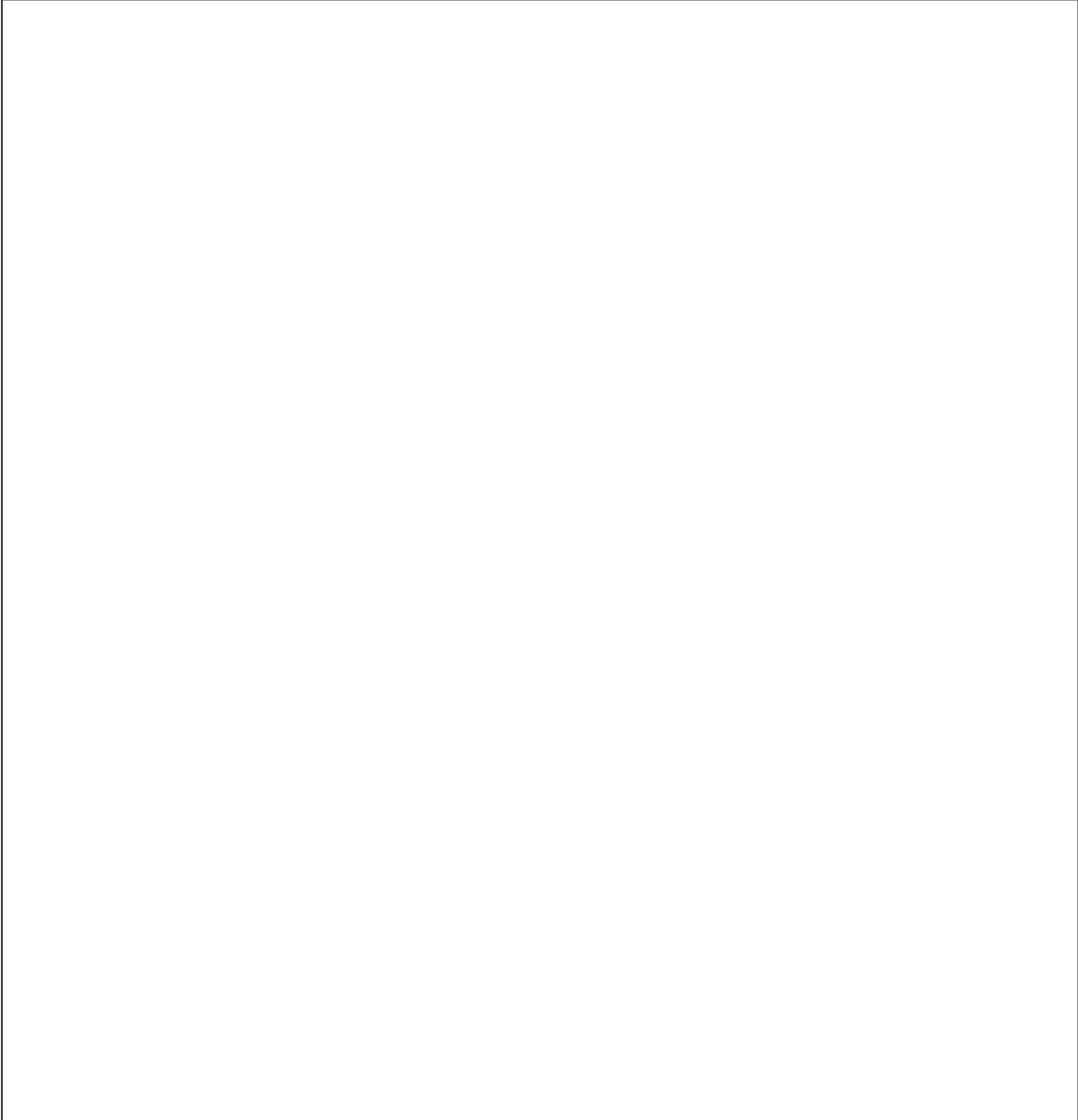
Packing Spec P/N:	Standard DT, Cellular packaging, User manual
Box Qty:	20
Gift Box Size (mm):	Egg Crate
Gift Box Color:	None
Master Carton Size (mm):	427 x 405 x 158
Master Carton Cubic Volume (m <sup>3</sup> ):	0.03
Master GW (Kg):	15.6 kg
BLADES INCLUDED:	N/A:
BLADE/CORD INSTALLED:	N/A:
USER MANUAL:	809-DESKTOPUSERMANUAL
USER MANUAL WEB LINK:	<a href="https://en.globtek.com/pdf/809-DESKTOPUSERMANUA...">https://en.globtek.com/pdf/809-DESKTOPUSERMANUA...</a>

If specific packaging is required, this section must specify all requirements and note "no exceptions". If this section does not specify packaging, it is subject to change without notice at GlobTek's discretion.



### PROPRIETARY INFORMATION

<p>GlobTek, Inc.  www.globtek.com  186 Veterans Drive,  Northvale, NJ 07647  Tel. (201) 784-1000  Fax (201) 784-0111</p>	<p>Drawing Title: GTM96605-GEN2-A1-T3, Adaptive Power USB Source, ITE/Medical, Efficiency Level: VI, Case Color/Style: GlobTek Black, Desktop/External, USB Adaptive Power Supply AC Adaptor, Input Rating: 100-240V~, 50-60Hz, IEC 60320/C14 , Output Rating: 60W, 5V, 5.8V, 9V, 12V, 15V, 20VV@4.6A, 4.6A, 4.4A, 4A, 3.6A, 3AA, Output Configuration: 1500 mm, 2C 20 + 3C 28/5C + Shield Cond, N/A, USB Type-C Connector, Ferrite: None, GlobTek Black, GT Cord # C16294, Pin Out: +V: A4, A9, B4, B9, GND: A1, A12, B1, B12, CC1: A5, D+:A6, D-:A7, Blades/Input Cord: Not Applicable, Approvals: WEEE; S-Mark IEC/EN 60601-1; VCCI; CE; China RoHS; RoHS; Level VI; Class I; EAC; Ukraine; CB 60601-1 2MOPP; CB 60950; UL 1310; CB 62368; CCC; ETL 62368; ETL; cETLus 60601-1 3rd; cETLus 60601; RCM; S-Mark 60950; PSE;</p>
<p>Model No. GTM96605-GEN2-A1-T3</p>	
<p>Part No./Ordering No. TR9CZ3000USBCG2R6BF2</p>	<p>Rev C</p>



GlobTek, Inc. www.globtek.com 186 Veterans Drive, Northvale, NJ 07647 Tel. (201) 784-1000 Fax (201) 784-0111	Drawing Title: GTM96605-GEN2-A1-T3, Adaptive Power USB Source, ITE/Medical, Efficiency Level: VI, Case Color/Style: GlobTek Black, Desktop/External, USB Adaptive Power Supply AC Adaptor, Input Rating: 100-240V~, 50-60Hz, IEC 60320/C14 , Output Rating: 60W, 5V, 5.8V, 9V, 12V, 15V, 20VV@4.6A, 4.6A, 4.4A, 4A, 3.6A, 3AA, Output Configuration: 1500 mm, 2C 20 + 3C 28/5C + Shield Cond, N/A, USB Type-C Connector, Ferrite: None, GlobTek Black, GT Cord # C16294, Pin Out: +V: A4, A9, B4, B9, GND: A1, A12, B1, B12, CC1: A5, D+:A6, D-:A7, Blades/Input Cord: Not Applicable, Approvals: WEEE; S-Mark IEC/EN 60601-1; VCCI; CE; China RoHS; RoHS; Level VI; Class I; EAC; Ukraine; CB 60601-1 2MOPP; CB 60950; UL 1310; CB 62368; CCC; ETL 62368; ETL; cETLus 60601-1 3rd; cETLus 60601; RCM; S-Mark 60950; PSE;	
	Model No. GTM96605-GEN2-A1-T3	
	Part No./Ordering No. TR9CZ3000USBCG2R6BF2	Rev C

## INSTRUCTIONS TO THE OEM SYSTEMS ENGINEER

It is the responsibility of the OEM systems engineer to provide the end system user instructions and warnings for the use of this product in the end system.

If an input cord is required for this product, AC Mains voltage should be provided to the power supply by a power supply cord approved to the national standards of the country in which it will be used.

This power supply is not designed to be repaired. No serviceable parts inside. A blown internal fuse is an indication of catastrophic failure of circuit component(s). If a Failure Analysis is required for a failed power supply/battery charger, please return the damaged unit to Globtek for an accurate determination of the root cause of the failure.

EMC Compliance of the complete OEM product, including the GlobTek power supply/battery charger needs to be verified by the OEM systems engineer.

## INSTRUCTION SHEET

N/A