

GloTek, Inc. www.globtek.com 186 Veterans Drive, Northvale, NJ 07647 Tel. (201) 784-1000 Fax (201) 784-0111	Drawing Title: GTM43007-A3809-1.5-F, ITE / Medical Power Supply, Efficiency Level: N/A, Case Color/Style: PCB, Open Frame/Internal, Regulated Switchmode AC-DC Power Supply AC Adaptor, Input Rating: 100-240V~, 50-60 Hz, Molex Header (or equal) , Output Rating: 37.5W, 7.5V@5.0A, Output Configuration: N/A mm, N/A/4 Cond. , Molex 2.54mm Pitch 4-Pin Header PN: 22-11-2042 MATES W/ PN: 22-01-2047 or Equivalent, Ferrite: None, N/A, GT Cord # C0127, Pin Out: Pins 1 and 2: +V, Pins 3 and 4: -V, Blades/Input Cord: Not Applicable, Approvals: PSE; VCCI; CB 62368; ETL 62368; EAC; CCC; Book 60601; China RoHS; Class I; RoHS; Ukraine; WEEE; CE; CB 60601-1 2MOPP; CE; FCC; CB 60950; CB EN/IEC 60335-1; cETLus; cETLus ES60601; cETLus 60601-1 3rd; NEMKO EN/IEC 60335-1; S-Mark IEC/EN 60601-1 60950; Level V; WDaE; Fuse 60335; Fuse 60335;	
	Model No. GTM43007-A3809-1.5-F	
	Part No./Ordering No. GTM43007-A3807.5-F(R)	Rev A

## REVISION HISTORY

REV	DESCRIPTION	SUB	DATE	APPROVED
A	INITIAL RELEASE		05/01/2019	QA

In Addition to GlobTek Inc.'s renewed ISO9001:2015 - Quality Management System Certification, GlobTek Inc. is now certified to:

ISO13485:2016 - Medical Devices Quality Management System Certification

ISO14001:2015 - Environmental Management System Certification

ISO Certificates are available online at <https://www.globtek.com/iso-certificates/>

### Customer Approval of Specification:

Please approve, sign and send back to GlobTek so we can complete order processing.

A delay in receipt of this form will delay delivery schedule.

Company Name:

Customer P/N:

Quote Number:

Date:

Authorized Representative Name:

Authorized Representative Signature:

The acceptance of this specification and use of the product described in this document indicates the acceptance and binding of the customer to Globtek terms and conditions, which supersede all other agreements, terms, and conditions (<https://en.globtek.com/terms-and-conditions/>).

The purchaser of this product (Customer) agrees that it is their sole responsibility to determine suitability/fitness of the product described in this specification for their application and to take precautions for protection against any hazards attendant to the handling and use of the product.

### Footnote:

GlobTek Inc. will not be liable for the safety and performance of these power supplies if unauthorized access and repair occurs. End user should consult applicable UL, CSA or EN standards for proper installation instruction.

### Limitation of Use:

GlobTek products are intended for use with commercial, medical, and/or industrial equipment only. GlobTek product are not authorized for use as mission critical components in life support hazardous environment, nuclear or aircraft applications without prior written approval from the CEO of GlobTek Inc.

Contents of this document are subject to change without prior notice.

GloTek, Inc. www.globtek.com 186 Veterans Drive, Northvale, NJ 07647 Tel. (201) 784-1000 Fax (201) 784-0111	Drawing Title: GTM43007-A3809-1.5-F, ITE / Medical Power Supply, Efficiency Level: N/A, Case Color/Style: PCB, Open Frame/Internal, Regulated Switchmode AC-DC Power Supply AC Adaptor, Input Rating: 100-240V~, 50-60 Hz, Molex Header (or equal) , Output Rating: 37.5W, 7.5V@5.0A, Output Configuration: N/A mm, N/A/4 Cond, , Molex 2.54mm Pitch 4-Pin Header PN: 22-11-2042 MATES W/ PN: 22-01-2047 or Equivalent, Ferrite: None, N/A, GT Cord # C0127, Pin Out: Pins 1 and 2: +V, Pins 3 and 4: -V, Blades/Input Cord: Not Applicable, Approvals: PSE; VCCI; CB 62368; ETL 62368; EAC; CCC; Book 60601; China RoHS; Class I; RoHS; Ukraine; WEEE; CE; CB 60601-1 2MOPP; CE; FCC; CB 60950; CB EN/IEC 60335-1; cETLus; cETLus ES60601; cETLus 60601-1 3rd; NEMKO EN/IEC 60335-1; S-Mark IEC/EN 60601-1 60950; Level V; WDaE; Fuse 60335; Fuse 60335;	
	Model No. GTM43007-A3809-1.5-F	
	Part No./Ordering No. GTM43007-A3807.5-F(R)	Rev A

## POWER SUPPLY INFORMATION

TYPE:	Open Frame/Internal
TECHNOLOGY:	Regulated Switchmode AC-DC Power Supply AC Adaptor
CASE COLOR:	PCB
NAMEPLATE RATED INPUT:	100-240V~, 50-60 Hz, 1.5A
INPUT CONFIG:	Molex Header (or equal)
WATTS:	37.5
VOLTS OUT:	7.5
CURRENT OUT (Amps):	5.0
INGRESS PROTECTION:	N/A
GROUNDING CONFIGURATION:	(E1) Earthed output
EFFICIENCY LEVEL:	
OUTPUT CONFIGURATION:	N/A mm, N/A/4 Cond, , Molex 2.54mm Pitch 4-Pin Header PN: 22-11-2042 MATES W/ PN: 22-01-2047 or Equivalent, Ferrite: None, N/A, GT Cord # C0127
OVERMOLDED:	No
CONNECTOR PIN OUT:	Pins 1 and 2: +V, Pins 3 and 4: -V
LABEL SPECS:	Standard GT,L-1186
SPECIAL BARCODE LABEL	
MATERIAL:	
PACK SPEC:	
USER MANUAL:	

### PROPRIETARY INFORMATION

GlobTek, Inc. www.globtek.com 186 Veterans Drive, Northvale, NJ 07647 Tel. (201) 784-1000 Fax (201) 784-0111	Drawing Title: GTM43007-A3809-1.5-F, ITE / Medical Power Supply, Efficiency Level: N/A, Case Color/Style: PCB, Open Frame/Internal, Regulated Switchmode AC-DC Power Supply AC Adaptor, Input Rating: 100-240V~, 50-60 Hz, Molex Header (or equal) , Output Rating: 37.5W, 7.5V@5.0A, Output Configuration: N/A mm, N/A/4 Cond, , Molex 2.54mm Pitch 4-Pin Header PN: 22-11-2042 MATES W/ PN: 22-01-2047 or Equivalent, Ferrite: None, N/A, GT Cord # C0127, Pin Out: Pins 1 and 2: +V, Pins 3 and 4: -V, Blades/Input Cord: Not Applicable, Approvals: PSE; VCCI; CB 62368; ETL 62368; EAC; CCC; Book 60601; China RoHS; Class I; RoHS; Ukraine; WEEE; CE; CB 60601-1 2MOPP; CE; FCC; CB 60950; CB EN/IEC 60335-1; cETLus; cETLus ES60601; cETLus 60601-1 3rd; NEMKO EN/IEC 60335-1; S-Mark IEC/EN 60601-1 60950; Level V; WDaE; Fuse 60335; Fuse 60335;	
	Model No. GTM43007-A3809-1.5-F	
	Part No./Ordering No. GTM43007-A3807.5-F(R)	Rev A

Notes/Modifications/Customizations (notes in this section supersede the values shown in the standard spec):  
DIMENSIONS ARE IN MM UNLESS SPECIFIED OTHERWISE.

GlobTek, Inc. www.globtek.com 186 Veterans Drive, Northvale, NJ 07647 Tel. (201) 784-1000 Fax (201) 784-0111	Drawing Title: GTM43007-A3809-1.5-F, ITE / Medical Power Supply, Efficiency Level: N/A, Case Color/Style: PCB, Open Frame/Internal, Regulated Switchmode AC-DC Power Supply AC Adaptor, Input Rating: 100-240V~, 50-60 Hz, Molex Header (or equal) , Output Rating: 37.5W, 7.5V@5.0A, Output Configuration: N/A mm, N/A/4 Cond. , Molex 2.54mm Pitch 4-Pin Header PN: 22-11-2042 MATES W/ PN: 22-01-2047 or Equivalent, Ferrite: None, N/A, GT Cord # C0127, Pin Out: Pins 1 and 2: +V, Pins 3 and 4: -V, Blades/Input Cord: Not Applicable, Approvals: PSE; VCCI; CB 62368; ETL 62368; EAC; CCC; Book 60601; China RoHS; Class I; RoHS; Ukraine; WEEE; CE; CB 60601-1 2MOPP; CE; FCC; CB 60950; CB EN/IEC 60335-1; cETLus; cETLus ES60601; cETLus 60601-1 3rd; NEMKO EN/IEC 60335-1; S-Mark IEC/EN 60601-1 60950; Level V; WDaE; Fuse 60335; Fuse 60335;	
	Model No. GTM43007-A3809-1.5-F	
	Part No./Ordering No. GTM43007-A3807.5-F(R)	Rev A

## ELECTRICAL SPECIFICATIONS

### A) ELECTRICAL SPECIFICATIONS:

01. Input Voltage: Specified 90-264 Vac, Nameplate rated: 100-240Vac
02. Input Frequency: Specified 47-63 Hz, Nameplate rated 50-60Hz
03. Output Regulation: +/- 3% measured at the output connector
04. Line Voltage Regulation: +/- 0.5% maximum measured at full load
05. Output Ripple (Vp-p): 1% or 150 mV whichever is greater, measured at 20 MHz bandwidth with 0.1 uf ceramic capacitor in parallel with a low impedance 47 uf electrolytic capacitor connected 3" from the output connector .
06. Turn-ON/OFF: 5% maximum, 1 mS typical recovery time for 25% step load
07. Turn-ON Delay: 3 Sec max
08. Hold-Up Time: 8 mS typical @ nominal input voltage and full load
09. Inrush Current: 30A maximum @ 115 Vac input, 60A maximum @ 230 Vac input
10. Switching Frequency: 65 KHz typical
11. Efficiency: 87% @115Vac, 89% @ 230Vac typical at full load
12. No Load Power: < 300mW @ 230Vac

### B) PROTECTION

01. Overvoltage Protection: 110% to 130% of nominal output voltage, and less than 60Vdc
02. Short Circuit/Over-load: momentary short circuit protected, output will auto recover upon removal of short
03. Input Protection: Input line fusing and 300Vac MOV

### C) SAFETY

01. Dielectric Withstand Voltage: 4000Vac / 5656Vdc from primary to secondary
02. [Output Isolation Options](#): Class I or Class II
03. Earth Leakage Current: Does not exceed 300uA in NORMAL CONDITION and 1000uA in SINGLE FAULT CONDITION
04. Output Leakage Current: Does not exceed 75uA NC(Normal condition) 300uA SFC(single fault condition)
05. Means of Protection: 2 x MOPP
06. Compliant Standards: See listings at end of this drawing for specifics

### D) EMC

- EN 60601-1-2, 4<sup>th</sup> edition
- Emissions, per EN 55032, EN 61000-6-3, EN 61000-6-4, CISPR11 and CISPR22
- Conducted Emissions: Class B, FCC Part 15, Class B
  - Radiated Emissions: Class B, FCC Part 15, Class B
- Line Frequency Harmonics EN61000-3-2, Class A
- Voltage Fluctuations/Flicker EN61000-3-3
- Immunity, per EN 55024, EN 61000-6-1, EN 61000-6-2
- Static Discharge Immunity EN61000-4-2, 10kV Contact Discharge, 20kV air discharge
  - Radiated RF Immunity EN61000-4-3, 10V/m 80-1000MHz, 3V/m 1-2.7GHz, 80% 1KHz AM.
  - EFT/Burst Immunity EN61000-4-4, 4kV/100kHz.
  - Line Surge Immunity EN61000-4-5, 2kV differential, 4kV common-mode
  - Conducted RF Immunity EN61000-4-6, 3Vrms, 80% 1KHz AM
  - Power Frequency Magnetic Field Immunity EN61000-4-8, 3A/m
  - Voltage Dip Immunity EN61000-4-11, Criteria

### E) OTHER

#### PROPRIETARY INFORMATION

GlobTek, Inc. www.globtek.com 186 Veterans Drive, Northvale, NJ 07647 Tel. (201) 784-1000 Fax (201) 784-0111	Drawing Title: GTM43007-A3809-1.5-F, ITE / Medical Power Supply, Efficiency Level: N/A, Case Color/Style: PCB, Open Frame/Internal, Regulated Switchmode AC-DC Power Supply AC Adaptor, Input Rating: 100-240V~, 50-60 Hz, Molex Header (or equal) , Output Rating: 37.5W, 7.5V@5.0A, Output Configuration: N/A mm, N/A/4 Cond. , Molex 2.54mm Pitch 4-Pin Header PN: 22-11-2042 MATES W/ PN: 22-01-2047 or Equivalent, Ferrite: None, N/A, GT Cord # C0127, Pin Out: Pins 1 and 2: +V, Pins 3 and 4: -V, Blades/Input Cord: Not Applicable, Approvals: PSE; VCCI; CB 62368; ETL 62368; EAC; CCC; Book 60601; China RoHS; Class I; RoHS; Ukraine; WEEE; CE; CB 60601-1 2MOPP; CE; FCC; CB 60950; CB EN/IEC 60335-1; cETLus; cETLus ES60601; cETLus 60601-1 3rd; NEMKO EN/IEC 60335-1; S-Mark IEC/EN 60601-1 60950; Level V; WDaE; Fuse 60335; Fuse 60335;	
	Model No. GTM43007-A3809-1.5-F	
	Part No./Ordering No. GTM43007-A3807.5-F(R)	Rev A

01. MTBF: 1,000,000 Hours @ 45°C ambient temperature, Full Load
02. Operating Temperature: -10°C to 45°C ambient temperature
03. Humidity: 0% to 95% relative humidity
04. Storage Temperature: -30°C to 80°C
05. Cooling: Convection
06. Elevation: 5000M
07. ROHS 2: Complies with EU 2011/65/EU and China SJ/T 11363-2006

#### F) MECHANICAL FORMAT

01. Type: Open Frame
02. Size: A suffix version, (2"x3"), 76.2 x 50.8 x 30.5 mm
03. Size: B suffix version, (2"x4"), 101.6 x 50.8 x 30.5 mm
04. Size: C suffix version, (3"x5"), 127.0 x 76.2 x 30.5 mm

#### G) SPECIAL OPTIONS

01. Custom Label Markings
02. Short term Output Surge Capability
03. Reduced Leakage Current versions
04. Tightened output voltage tolerance
05. Reduced output ripple level
06. High Rel PCB laminate with Plated through Holes for IPC610 Class 2 Compliance
07. Low Temperature operation, down to -40°C
08. Quasi Constant Current Output, for Lead-Acid Battery Charger Applications
09. Special Input or Output Connectors
10. Over-Temperature Protection, Latched Shut-Down

TO ADDRESS SYSTEM-LEVEL EMI CONCERNS, FERRITE CHOKES/BEADS MAY BE ADDED/REVISED UPON REQUEST. A SAMPLE KIT OF GLOBTEK'S STANDARD FERRITES IS AVAILABLE UNDER GLOBTEK P/N: EMI-MITIGATION-KIT1

FOR ADDITIONAL INFORMATION, PLEASE READ OUR WHITE PAPER AT:

<https://en.globtek.com/technical-articles/ferrite-kit-radiated-emi-suppression-kit-for-globtek-power-supplies-cable-assemblies>

INGRESS PROTECTION: N/A

#### PROPRIETARY INFORMATION

PROPRIETARY OF GLOBTEK, INC. ANY REPRODUCTION, DISCLOSURE OR USE OF THIS DRAWING, IN WHOLE OR IN PART, IS HEREBY PROHIBITED EXCEPT AS SPECIFIED IN

WRITING BY GLOBTEK, INC. © GlobTek, Inc. 2019 - 2020

quest /08/14/2020 7:39:11 AM CLONED FROM GTM43007-A4509-F(R)

GlobTek, Inc.  
 www.globtek.com  
 186 Veterans Drive,  
 Northvale, NJ 07647  
 Tel. (201) 784-1000  
 Fax (201) 784-0111

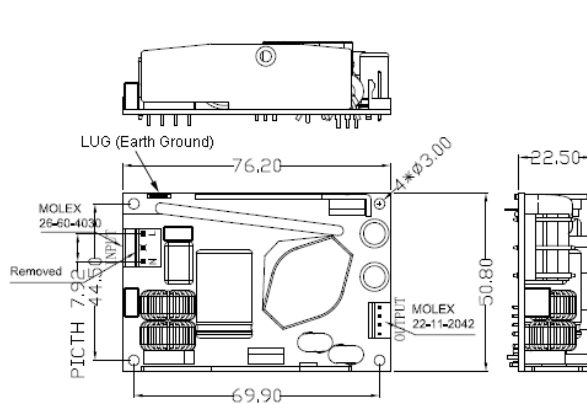
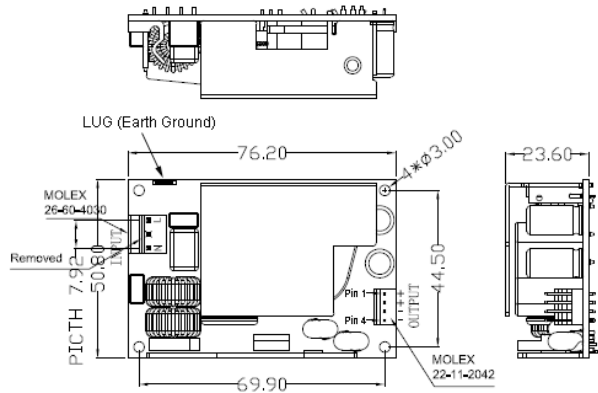
Drawing Title: GTM43007-A3809-1.5-F, ITE / Medical Power Supply, Efficiency Level: N/A, Case Color/Style: PCB, Open Frame/Internal, Regulated Switchmode AC-DC Power Supply AC Adaptor, Input Rating: 100-240V~, 50-60 Hz, Molex Header (or equal) , Output Rating: 37.5W, 7.5V@5.0A, Output Configuration: N/A mm, N/A/4 Cond. , Molex 2.54mm Pitch 4-Pin Header PN: 22-11-2042 MATES W/ PN: 22-01-2047 or Equivalent, Ferrite: None, N/A, GT Cord # C0127, Pin Out: Pins 1 and 2: +V, Pins 3 and 4: -V, Blades/Input Cord: Not Applicable, Approvals: PSE; VCCI; CB 62368; ETL 62368; EAC; CCC; Book 60601; China RoHS; Class I; RoHS; Ukraine; WEEE; CE; CB 60601-1 2MOPP; CE; FCC; CB 60950; CB EN/IEC 60335-1; cETLus; cETLus ES60601; cETLus 60601-1 3rd; NEMKO EN/IEC 60335-1; S-Mark IEC/EN 60601-1 60950; Level V; WDaE; Fuse 60335; Fuse 60335;

Model No. GTM43007-A3809-1.5-F

Part No./Ordering No. GTM43007-A3807.5-F(R)

Rev A

Top Diagram is for 5V-14V models, Bottom Diagram is for 15V-48V models



GlobTek, Inc.  
 www.globtek.com  
 186 Veterans Drive,  
 Northvale, NJ 07647  
 Tel. (201) 784-1000  
 Fax (201) 784-0111

Drawing Title: GTM43007-A3809-1.5-F, ITE / Medical Power Supply, Efficiency Level: N/A, Case Color/Style: PCB, Open Frame/Internal, Regulated Switchmode AC-DC Power Supply AC Adaptor, Input Rating: 100-240V~, 50-60 Hz, Molex Header (or equal) , Output Rating: 37.5W, 7.5V@5.0A, Output Configuration: N/A mm, N/A/4 Cond. , Molex 2.54mm Pitch 4-Pin Header PN: 22-11-2042 MATES W/ PN: 22-01-2047 or Equivalent, Ferrite: None, N/A, GT Cord # C0127, Pin Out: Pins 1 and 2: +V, Pins 3 and 4: -V, Blades/Input Cord: Not Applicable, Approvals: PSE; VCCI; CB 62368; ETL 62368; EAC; CCC; Book 60601; China RoHS; Class I; RoHS; Ukraine; WEEE; CE; CB 60601-1 2MOPP; CE; FCC; CB 60950; CB EN/IEC 60335-1; cETLus; cETLus ES60601; cETLus 60601-1 3rd; NEMKO EN/IEC 60335-1; S-Mark IEC/EN 60601-1 60950; Level V; WDaE; Fuse 60335; Fuse 60335;

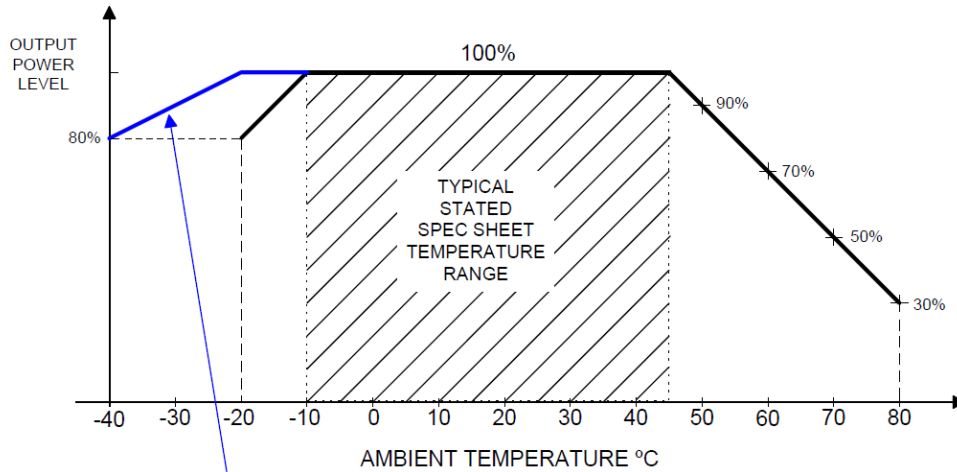
Model No. GTM43007-A3809-1.5-F

Part No./Ordering No. GTM43007-A3807.5-F(R)

Rev A

### DERATING CURVE

#### 45C CONTINUOUS OPERATION POWER SUPPLY DERATING CURVE

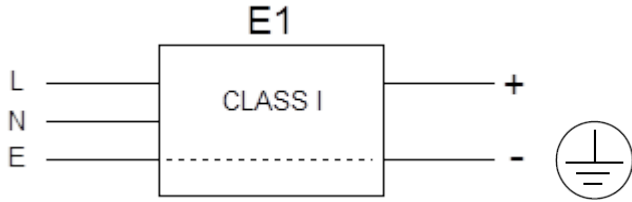


Blue Line represents special/optional Low Temperature, High Performance Construction

<p>GlobTek, Inc. www.globtek.com 186 Veterans Drive, Northvale, NJ 07647 Tel. (201) 784-1000 Fax (201) 784-0111</p>	<p>Drawing Title: GTM43007-A3809-1.5-F, ITE / Medical Power Supply, Efficiency Level: N/A, Case Color/Style: PCB, Open Frame/Internal, Regulated Switchmode AC-DC Power Supply AC Adaptor, Input Rating: 100-240V~, 50-60 Hz, Molex Header (or equal) , Output Rating: 37.5W, 7.5V@5.0A, Output Configuration: N/A mm, N/A/4 Cond. , Molex 2.54mm Pitch 4-Pin Header PN: 22-11-2042 MATES W/ PN: 22-01-2047 or Equivalent, Ferrite: None, N/A, GT Cord # C0127, Pin Out: Pins 1 and 2: +V, Pins 3 and 4: -V, Blades/Input Cord: Not Applicable, Approvals: PSE; VCCI; CB 62368; ETL 62368; EAC; CCC; Book 60601; China RoHS; Class I; RoHS; Ukraine; WEEE; CE; CB 60601-1 2MOPP; CE; FCC; CB 60950; CB EN/IEC 60335-1; cETLus; cETLus ES60601; cETLus 60601-1 3rd; NEMKO EN/IEC 60335-1; S-Mark IEC/EN 60601-1 60950; Level V; WDaE; Fuse 60335; Fuse 60335;</p> <p>Model No. GTM43007-A3809-1.5-F</p> <p>Part No./Ordering No. GTM43007-A3807.5-F(R) <span style="float: right;">Rev A</span></p>
---	--

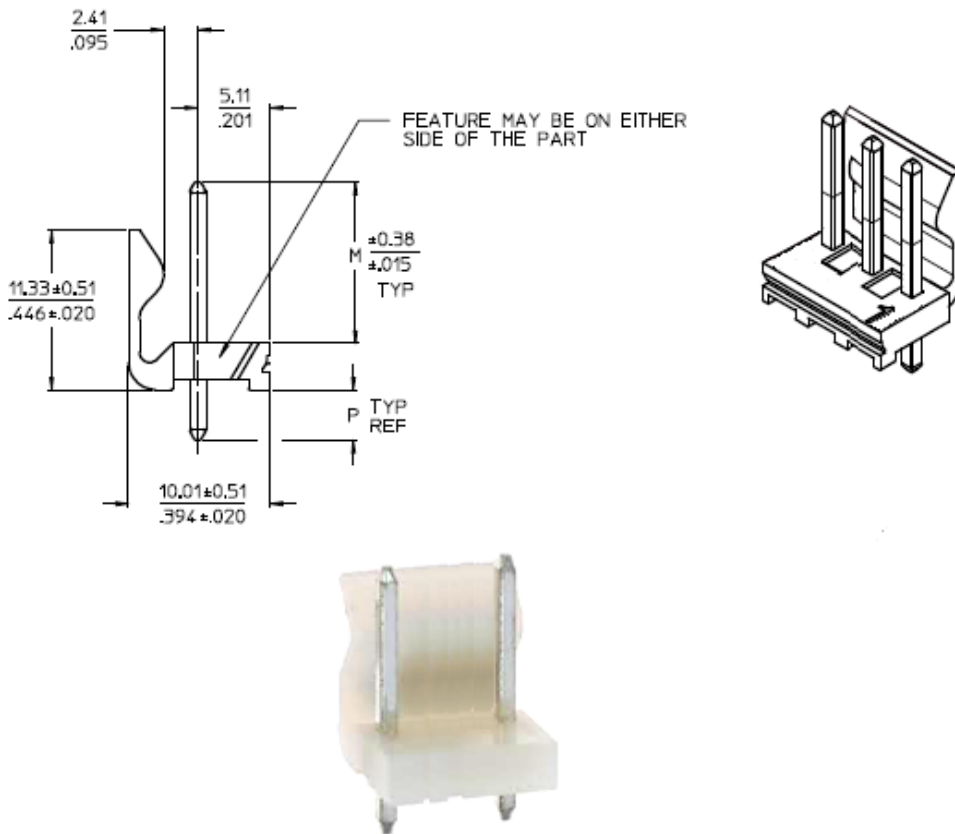
### INPUT CONFIGURATION

(E1) Earthed output



[Alternate grounding configurations](#) available upon request.

Molex 26-60-4030 3 Position Header Pin 1: Line, Pin 2: Removed, PIN 3: Neutral





GlobTek, Inc. www.globtek.com 186 Veterans Drive, Northvale, NJ 07647 Tel. (201) 784-1000 Fax (201) 784-0111	Drawing Title: GTM43007-A3809-1.5-F, ITE / Medical Power Supply, Efficiency Level: N/A, Case Color/Style: PCB, Open Frame/Internal, Regulated Switchmode AC-DC Power Supply AC Adaptor, Input Rating: 100-240V~, 50-60 Hz, Molex Header (or equal) , Output Rating: 37.5W, 7.5V@5.0A, Output Configuration: N/A mm, N/A/4 Cond, , Molex 2.54mm Pitch 4-Pin Header PN: 22-11-2042 MATES W/ PN: 22-01-2047 or Equivalent, Ferrite: None, N/A, GT Cord # C0127, Pin Out: Pins 1 and 2: +V, Pins 3 and 4: -V, Blades/Input Cord: Not Applicable, Approvals: PSE; VCCI; CB 62368; ETL 62368; EAC; CCC; Book 60601; China RoHS; Class I; RoHS; Ukraine; WEEE; CE; CB 60601-1 2MOPP; CE; FCC; CB 60950; CB EN/IEC 60335-1; cETLus; cETLus ES60601; cETLus 60601-1 3rd; NEMKO EN/IEC 60335-1; S-Mark IEC/EN 60601-1 60950; Level V; WDaE; Fuse 60335; Fuse 60335;	
	Model No. GTM43007-A3809-1.5-F	
	Part No./Ordering No. GTM43007-A3807.5-F(R)	Rev A

Optional Input Wiring Kits are available:

PN/Ordering No	Length	End A	End B
<a href="#">XHP410070M7MLX3(R)</a>	70	JST XHP-4	Molex 09-93-0300
<a href="#">C810070M6MLX3(R)</a>	60	IEC60320 C8	Molex 09-93-0300
<a href="#">C1410070M6MLX3(R)</a>	60	IEC60320 C14	Molex 09-93-0300

Custom lengths, construction, cable types, ferrites, filters, and termination available upon request.

GloTek, Inc. www.globtek.com 186 Veterans Drive, Northvale, NJ 07647 Tel. (201) 784-1000 Fax (201) 784-0111	Drawing Title: GTM43007-A3809-1.5-F, ITE / Medical Power Supply, Efficiency Level: N/A, Case Color/Style: PCB, Open Frame/Internal, Regulated Switchmode AC-DC Power Supply AC Adaptor, Input Rating: 100-240V~, 50-60 Hz, Molex Header (or equal) , Output Rating: 37.5W, 7.5V@5.0A, Output Configuration: N/A mm, N/A/4 Cond. , Molex 2.54mm Pitch 4-Pin Header PN: 22-11-2042 MATES W/ PN: 22-01-2047 or Equivalent, Ferrite: None, N/A, GT Cord # C0127, Pin Out: Pins 1 and 2: +V, Pins 3 and 4: -V, Blades/Input Cord: Not Applicable, Approvals: PSE; VCCI; CB 62368; ETL 62368; EAC; CCC; Book 60601; China RoHS; Class I; RoHS; Ukraine; WEEE; CE; CB 60601-1 2MOPP; CE; FCC; CB 60950; CB EN/IEC 60335-1; cETLus; cETLus ES60601; cETLus 60601-1 3rd; NEMKO EN/IEC 60335-1; S-Mark IEC/EN 60601-1 60950; Level V; WDaE; Fuse 60335; Fuse 60335;	
	Model No. GTM43007-A3809-1.5-F	
	Part No./Ordering No. GTM43007-A3807.5-F(R)	Rev A

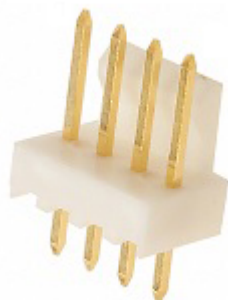
OUTPUT CORD AND CONNECTOR: MOLI/C0127

ACTUAL CONNECTORS, OVERMOLDS, FERRITES MAY VARY SLIGHTLY FROM THE PICTURE BELOW

CABLE TYPE

CABLE LENGTH (mm)	N/A
CABLE TOLERANCE (mm)	N/A
WIRE GAUGE (AWG)	N/A
CONDUCTORS	4
HANK DIMENSION (mm)	N/A
CABLE / CONNECTOR OVERMOLD COLOR	N/A
FERRITE TYPE / DIMENSION	None
FERRITE # OF TURNS <a href="#">(Definition)</a>	N/A
FERRITE DIMENSION FROM STRAIN RELIEF	N/A
FERRITE DIMENSION FROM PLUG	N/A
PLUG TYPE	Molex 2.54mm Pitch 4-Pin Header PN: 22-11-2042 MATES W/ PN: 22-01-2047 or Equivalent
OUTPUT CONNECTOR GENDER	
OVERMOLDED	No
OVER MOLD ORIENTATION	
CONNECTOR PIN OUT:	Pins 1 and 2: +V, Pins 3 and 4: -V

ADDITIONAL REQUIREMENTS



Optional wiring kits available:

PN/Ordering No	Length	End A	End B
<a href="#">XHP410070M7XHP4(R)</a>	70	JST XHP-4	JST XHP-4
<a href="#">XHP410070M7MLX3(R)</a>	70	JST XHP-4	Molex 09-93-0300

Custom lengths, construction, cable types, ferrites, filters, and termination available upon request.

ADDITIONAL OUTPUT PLUG OPTIONS ARE AVAILABLE AT <https://www.globtek.com/connectors/>

STANDARD PLUGS AND CONNECTORS CAN BE SEEN ONLINE AT <https://www.globtek.com/connectors/>

CALCULATE VOLTAGE REGULATION/DROP WITH OUR ONLINE CALCULATOR: <https://en.globtek.com/output-cable-regulation-calculator/>

PROPRIETARY INFORMATION

GloTek, Inc. www.globtek.com 186 Veterans Drive, Northvale, NJ 07647 Tel. (201) 784-1000 Fax (201) 784-0111	Drawing Title: GTM43007-A3809-1.5-F, ITE / Medical Power Supply, Efficiency Level: N/A, Case Color/Style: PCB, Open Frame/Internal, Regulated Switchmode AC-DC Power Supply AC Adaptor, Input Rating: 100-240V~, 50-60 Hz, Molex Header (or equal) , Output Rating: 37.5W, 7.5V@5.0A, Output Configuration: N/A mm, N/A/4 Cond. , Molex 2.54mm Pitch 4-Pin Header PN: 22-11-2042 MATES W/ PN: 22-01-2047 or Equivalent, Ferrite: None, N/A, GT Cord # C0127, Pin Out: Pins 1 and 2: +V, Pins 3 and 4: -V, Blades/Input Cord: Not Applicable, Approvals: PSE; VCCI; CB 62368; ETL 62368; EAC; CCC; Book 60601; China RoHS; Class I; RoHS; Ukraine; WEEE; CE; CB 60601-1 2MOPP; CE; FCC; CB 60950; CB EN/IEC 60335-1; cETLus; cETLus ES60601; cETLus 60601-1 3rd; NEMKO EN/IEC 60335-1; S-Mark IEC/EN 60601-1 60950; Level V; WDaE; Fuse 60335; Fuse 60335;	
	Model No. GTM43007-A3809-1.5-F	
	Part No./Ordering No. GTM43007-A3807.5-F(R)	Rev A

**OUTPUT CONNECTOR HOOK UP**

TO ADDRESS SYSTEM-LEVEL EMI CONCERNS, FERRITE CHOKES/BEADS MAY BE ADDED/REVISED UPON REQUEST. A SAMPLE KIT OF GLOBTEK'S STANDARD FERRITES IS AVAILABLE UNDER GLOBTEK P/N: EMI-MITIGATION-KIT1

FOR ADDITIONAL INFORMATION, PLEASE READ OUR WHITE PAPER AT:

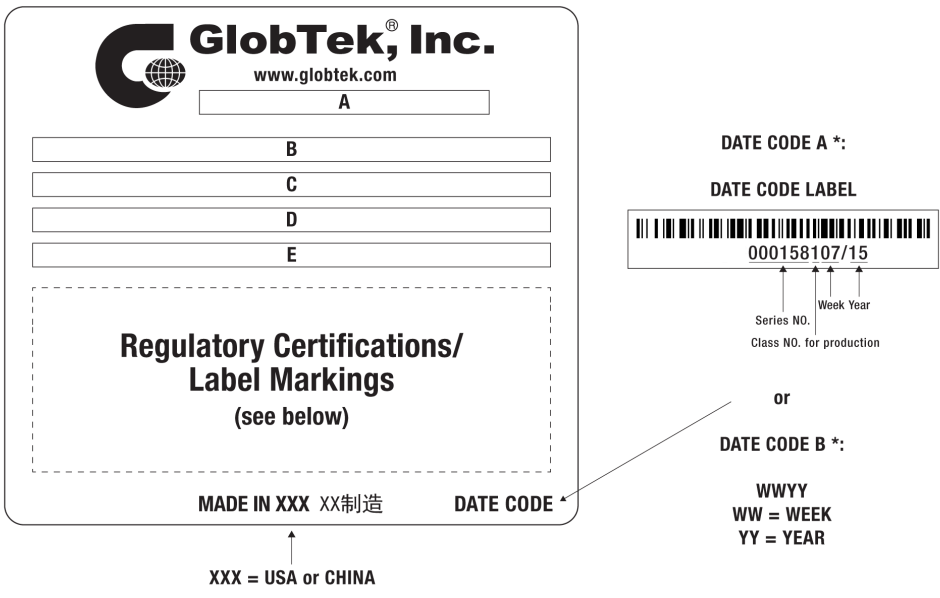
<https://en.globtek.com/technical-articles/ferrite-kit-radiated-emi-suppression-kit-for-globtek-power-supplies-cable-assemblies>

GlobTek, Inc. www.globtek.com 186 Veterans Drive, Northvale, NJ 07647 Tel. (201) 784-1000 Fax (201) 784-0111	Drawing Title: GTM43007-A3809-1.5-F, ITE / Medical Power Supply, Efficiency Level: N/A, Case Color/Style: PCB, Open Frame/Internal, Regulated Switchmode AC-DC Power Supply AC Adaptor, Input Rating: 100-240V~, 50-60 Hz, Molex Header (or equal) , Output Rating: 37.5W, 7.5V@5.0A, Output Configuration: N/A mm, N/A/4 Cond. , Molex 2.54mm Pitch 4-Pin Header PN: 22-11-2042 MATES W/ PN: 22-01-2047 or Equivalent, Ferrite: None, N/A, GT Cord # C0127, Pin Out: Pins 1 and 2: +V, Pins 3 and 4: -V, Blades/Input Cord: Not Applicable, Approvals: PSE; VCCI; CB 62368; ETL 62368; EAC; CCC; Book 60601; China RoHS; Class I; RoHS; Ukraine; WEEE; CE; CB 60601-1 2MOPP; CE; FCC; CB 60950; CB EN/IEC 60335-1; cETLus; cETLus ES60601; cETLus 60601-1 3rd; NEMKO EN/IEC 60335-1; S-Mark IEC/EN 60601-1 60950; Level V; WDaE; Fuse 60335; Fuse 60335;	
	Model No. GTM43007-A3809-1.5-F Part No./Ordering No. GTM43007-A3807.5-F(R)	Rev A

LABEL:L-1186

LABEL P/N:	Standard GT
MATERIAL:	Flat Thermal Transfer, Imprintable, Polyester Label and/or Pad Printed and/or Molded, and/or Laser Engraved in the case
BACKGROUND COLOR:	Black if housing is Black, White or Silver if housing is White or Gray.
TEXT COLOR:	White or Silver if label is Black Background for Black housing. Black if label is White or Silver background and Housing is White or Gray.
LABEL WIDTH (mm):	25.0
LABEL HEIGHT (mm):	18.0
SPECIAL BARCODE LABEL MATERIAL:	

Below is the minimum information which will appear on the label. NOTE: in the logo area additional/actual positioning of symbols and text is subjected to change as per agency updates/requirements or additional model approvals become available. Regulatory certifications/label markings may be in logo area on the label or molded into the case housing outside the label area. Information will be shown via label and/or pad printed and/or molded and/or laser engraved in the case. \* Date code markings at GlobTek option



A=ITE / Medical Power Supply  
 B=P/N: (料号) GTM43007-A3807.5-F(R)  
 C=Model (型号) GTM43007-A3809-1.5-F  
 D=Input (输入)100-240V~, 50-60 Hz, 1.5A  
 E=Output (输出)7.5 V  $\equiv$  5.0 A, 37.5W

GloTek, Inc. www.globtek.com 186 Veterans Drive, Northvale, NJ 07647 Tel. (201) 784-1000 Fax (201) 784-0111	Drawing Title: GTM43007-A3809-1.5-F, ITE / Medical Power Supply, Efficiency Level: N/A, Case Color/Style: PCB, Open Frame/Internal, Regulated Switchmode AC-DC Power Supply AC Adaptor, Input Rating: 100-240V~, 50-60 Hz, Molex Header (or equal) , Output Rating: 37.5W, 7.5V@5.0A, Output Configuration: N/A mm, N/A/4 Cond. , Molex 2.54mm Pitch 4-Pin Header PN: 22-11-2042 MATES W/ PN: 22-01-2047 or Equivalent, Ferrite: None, N/A, GT Cord # C0127, Pin Out: Pins 1 and 2: +V, Pins 3 and 4: -V, Blades/Input Cord: Not Applicable, Approvals: PSE; VCCI; CB 62368; ETL 62368; EAC; CCC; Book 60601; China RoHS; Class I; RoHS; Ukraine; WEEE; CE; CB 60601-1 2MOPP; CE; FCC; CB 60950; CB EN/IEC 60335-1; cETLus; cETLus ES60601; cETLus 60601-1 3rd; NEMKO EN/IEC 60335-1; S-Mark IEC/EN 60601-1 60950; Level V; WDaE; Fuse 60335; Fuse 60335;	
	Model No. GTM43007-A3809-1.5-F	
	Part No./Ordering No. GTM43007-A3807.5-F(R)	Rev A

AGENCY ONLINE DOCUMENTS

<http://www.globtek.info/certs/GTM43007/>

CE EC-Declaration for Medical

[http://globtek.force.com/models/ec\\_declaration\\_product?id=01t0c0000097ldj&m=1](http://globtek.force.com/models/ec_declaration_product?id=01t0c0000097ldj&m=1)

CE EC-Declaration for Industrial/Commercial/ITE

[http://globtek.force.com/models/ec\\_declaration\\_product?id=01t0c0000097ldj&i=3](http://globtek.force.com/models/ec_declaration_product?id=01t0c0000097ldj&i=3)

CE EC-Declaration for Household

[Contact GlobTek for more information](#)

Morocco SDoC Declaration

[https://globtek.secure.force.com/models/Morocco\\_SDoC\\_Declaration?id=a00a000000K8gLUeAZ](https://globtek.secure.force.com/models/Morocco_SDoC_Declaration?id=a00a000000K8gLUeAZ)

RoHS/RoHS3 Declaration

[https://www.globtek.com/pdf/rohs\\_cert/01t0c0000097ldjAAE](https://www.globtek.com/pdf/rohs_cert/01t0c0000097ldjAAE)

REACH Declaration

[https://www.globtek.com/pdf/iso\\_certificates/REACH.pdf](https://www.globtek.com/pdf/iso_certificates/REACH.pdf)

Conflict Minerals Declaration

<https://www.globtek.com/pdf/conflict-minerals.pdf>

IPXY rating is based on 3rd party testing and customers should check suitability and test system level IPXY rating before ordering.

## Regulatory Certifications/Label Markings

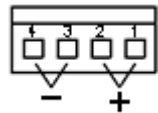
LATEST PRODUCT/MODEL CERTIFICATIONS: <http://en.globtek.com/datasheet/id/a00a000000K8gLU>

AGENCY ONLINE DOCUMENTS:

<http://www.globtek.info/certs/GTM43007/>



(E1) Earthed output



Pins 1 and 2: +V,

Pins 3 and 4: -V

GlobTek, Inc. www.globtek.com 186 Veterans Drive, Northvale, NJ 07647 Tel. (201) 784-1000 Fax (201) 784-0111	Drawing Title: GTM43007-A3809-1.5-F, ITE / Medical Power Supply, Efficiency Level: N/A, Case Color/Style: PCB, Open Frame/Internal, Regulated Switchmode AC-DC Power Supply AC Adaptor, Input Rating: 100-240V~, 50-60 Hz, Molex Header (or equal) , Output Rating: 37.5W, 7.5V@5.0A, Output Configuration: N/A mm, N/A/4 Cond. , Molex 2.54mm Pitch 4-Pin Header PN: 22-11-2042 MATES W/ PN: 22-01-2047 or Equivalent, Ferrite: None, N/A, GT Cord # C0127, Pin Out: Pins 1 and 2: +V, Pins 3 and 4: -V, Blades/Input Cord: Not Applicable, Approvals: PSE; VCCI; CB 62368; ETL 62368; EAC; CCC; Book 60601; China RoHS; Class I; RoHS; Ukraine; WEEE; CE; CB 60601-1 2MOPP; CE; FCC; CB 60950; CB EN/IEC 60335-1; cETLus; cETLus ES60601; cETLus 60601-1 3rd; NEMKO EN/IEC 60335-1; S-Mark IEC/EN 60601-1 60950; Level V; WDaE; Fuse 60335; Fuse 60335;	
	Model No. GTM43007-A3809-1.5-F	
	Part No./Ordering No. GTM43007-A3807.5-F(R)	Rev A

## PACKAGING

Packing Spec P/N:

Box Qty:	124
Gift Box Size (mm):	95*65*35
Gift Box Color:	White
Master Carton Size (mm):	442 x 330 x 275
Master Carton Cubic Volume (m <sup>3</sup> ):	0.04
Master GW (Kg):	15.2 kg
BLADES INCLUDED:	:
BLADE/CORD INSTALLED:	:
USER MANUAL*:	
USER MANUAL WEB LINK:	

\* This specification sheet is considered the user manual for all applications. It is expected that the buyer of this product will use it to formulate their own user manual for their end product and a user manual specifically for the power adapter is not usually required. If a user manual is not specifically listed above then none will be provided with this unit.

## PROPRIETARY INFORMATION

GloTek, Inc. www.globtek.com 186 Veterans Drive, Northvale, NJ 07647 Tel. (201) 784-1000 Fax (201) 784-0111	Drawing Title: GTM43007-A3809-1.5-F, ITE / Medical Power Supply, Efficiency Level: N/A, Case Color/Style: PCB, Open Frame/Internal, Regulated Switchmode AC-DC Power Supply AC Adaptor, Input Rating: 100-240V~, 50-60 Hz, Molex Header (or equal) , Output Rating: 37.5W, 7.5V@5.0A, Output Configuration: N/A mm, N/A/4 Cond, , Molex 2.54mm Pitch 4-Pin Header PN: 22-11-2042 MATES W/ PN: 22-01-2047 or Equivalent, Ferrite: None, N/A, GT Cord # C0127, Pin Out: Pins 1 and 2: +V, Pins 3 and 4: -V, Blades/Input Cord: Not Applicable, Approvals: PSE; VCCI; CB 62368; ETL 62368; EAC; CCC; Book 60601; China RoHS; Class I; RoHS; Ukraine; WEEE; CE; CB 60601-1 2MOPP; CE; FCC; CB 60950; CB EN/IEC 60335-1; cETLus; cETLus ES60601; cETLus 60601-1 3rd; NEMKO EN/IEC 60335-1; S-Mark IEC/EN 60601-1 60950; Level V; WDaE; Fuse 60335; Fuse 60335;	
	Model No. GTM43007-A3809-1.5-F	
	Part No./Ordering No. GTM43007-A3807.5-F(R)	Rev A

## INSTRUCTIONS TO THE OEM SYSTEMS ENGINEER

It is the responsibility of the OEM systems engineer to provide the end system user instructions and warnings for the use of this product in the end system.

If an input cord is required for this product, AC Mains voltage should be provided to the power supply by a power supply cord approved to the national standards of the country in which it will be used.

This power supply is not designed to be repaired. No serviceable parts inside. A blown internal fuse is an indication of catastrophic failure of circuit component(s). If a Failure Analysis is required for a failed power supply/battery charger, please return the damaged unit to Globtek for an accurate determination of the root cause of the failure.

EMC Compliance of the complete OEM product, including the GlobTek power supply/battery charger needs to be verified by the OEM systems engineer.

## INSTRUCTION SHEET

N/A