

GlobTek, Inc. www.globtek.com 186 Veterans Drive, Northvale, NJ 07647 Tel. (201) 784-1000 Fax (201) 784-0111	Drawing Title: GTM91128LI3CEL, ITE / Medical Power Supply, Efficiency Level: N/A, Case Color/Style: GlobTek Black, Wall Plug-in+Desktop Combination, Li-Ion Battery Charger, Input Rating: 100-240V~, 50-60 Hz, IEC 60320/C8 w/ Wall Blades Option , Output Rating: 12.6W, 12.6V@1A, Output Configuration: 1830 mm, 18/1C + Shield Cond, UL 1185, 2 Pin DC Jack, Ferrite: Core Size: 14.2*28.5*8.2, GlobTek Black, GT Cord # C0780, Pin Out: Pin2: (-)/Pin1: (+), Blades/Input Cord: (Order Separately), Approvals: CB 60950; ETL; EAC; SIQ 61558; SIQ; SIQ; SIQ; GS; S-Mark 60950; cRUus; cRUus; CE; RoHS; China RoHS; WEEE; PSE; Ukraine; Double Insulation; ETL; CB 60335; Book 60601; VCCI; IP54;	
	Model No. GTM91128LI3CEL	
	Part No./Ordering No. GTM91128LI3C1000XFX9	Rev

REVISION HISTORY

REV	DESCRIPTION	SUB	DATE	APPROVED
-----	-------------	-----	------	----------

In Addition to GlobTek Inc.'s renewed ISO9001:2015 - Quality Management System Certification, GlobTek Inc. is now certified to:

- ISO13485:2016 - Medical Devices Quality Management System Certification
- ISO14001:2015 - Environmental Management System Certification

ISO Certificates are available online at <https://www.globtek.com/iso-certificates/>

Customer Approval of Specification:

Please approve, sign and send back to GlobTek so we can complete order processing.

A delay in receipt of this form will delay delivery schedule.

Company Name:

Customer P/N:

Quote Number:

Date:

Authorized Representative Name:

Authorized Representative Signature:

The acceptance of this specification and use of the product described in this document indicates the acceptance and binding of the customer to Globtek terms and conditions, which supersede all other agreements, terms, and conditions (<https://en.globtek.com/terms-and-conditions/>).

Footnote:

GlobTek Inc. will not be liable for the safety and performance of these power supplies if unauthorized access and repair occurs. End user should consult applicable UL, CSA or EN standards for proper installation instruction.

Limitation of Use:

GlobTek products are intended for use with commercial, medical, and/or industrial equipment only. GlobTek product are not authorized for use as mission critical components in life support hazardous environment, nuclear or aircraft applications without prior written approval from the CEO of GlobTek Inc. Contents of this document are subject to change without prior notice.

GlobTek, Inc. www.globtek.com 186 Veterans Drive, Northvale, NJ 07647 Tel. (201) 784-1000 Fax (201) 784-0111	Drawing Title: GTM91128LI3CEL, ITE / Medical Power Supply, Efficiency Level: N/A, Case Color/Style: GlobTek Black, Wall Plug-in+Desktop Combination, Li-Ion Battery Charger, Input Rating: 100-240V~, 50-60 Hz, IEC 60320/C8 w/ Wall Blades Option , Output Rating: 12.6W, 12.6V@1A, Output Configuration: 1830 mm, 18/1C + Shield Cond, UL 1185, 2 Pin DC Jack, Ferrite: Core Size: 14.2*28.5*8.2, GlobTek Black, GT Cord # C0780, Pin Out: Pin2: (-)/Pin1: (+), Blades/Input Cord: (Order Separately), Approvals: CB 60950; ETL; EAC; SIQ 61558; SIQ; SIQ; SIQ; GS; S-Mark 60950; cRUus; cRUus; CE; RoHS; China RoHS; WEEE; PSE; Ukraine; Double Insulation; ETL; CB 60335; Book 60601; VCCI; IP54;	
	Model No. GTM91128LI3CEL	
	Part No./Ordering No. GTM91128LI3C1000XF9	Rev

POWER SUPPLY INFORMATION

TYPE: Wall Plug-in+Desktop Combination
TECHNOLOGY: Li-Ion Battery Charger
CASE COLOR: GlobTek Black
NAMEPLATE RATED INPUT: 100-240V~, 50-60 Hz, 1.5A
INPUT CONFIG: IEC 60320/C8 w/ Wall Blades Option
WATTS: 12.6
VOLTS OUT: 12.6
CURRENT OUT (Amps): 1
BLADE/CORD INCLUDED: None
BLADE/CORD INSTALLED: None
INGRESS PROTECTION: Indoor Use
GROUNDING CONFIGURATION:
EFFICIENCY LEVEL: N/A
OUTPUT CONFIGURATION: 1830 mm, 18/1C + Shield Cond, UL 1185, 2 Pin DC Jack, Ferrite: Core Size: 14.2*28.5*8.2, GlobTek Black, GT Cord # C0780
CONNECTOR PIN OUT: Pin2: (-)/Pin1: (+)
LABEL SPECS: ISO 15223 medical device compliant label,L-1470
SPECIAL BARCODE LABEL
MATERIAL: No
PACK SPEC: Standard DT, Cellular packaging, User manual
USER MANUAL: 809-DESKTOPUSERMANUAL

Notes/Modifications/Customizations (notes in this section supersede the values shown in the standard spec):

DIMENSIONS ARE IN MM UNLESS SPECIFIED OTHERWISE.

GlobTek, Inc. www.globtek.com 186 Veterans Drive, Northvale, NJ 07647 Tel. (201) 784-1000 Fax (201) 784-0111	Drawing Title: GTM91128LI3CEL, ITE / Medical Power Supply, Efficiency Level: N/A, Case Color/Style: GlobTek Black, Wall Plug-in+Desktop Combination, Li-Ion Battery Charger, Input Rating: 100-240V~, 50-60 Hz, IEC 60320/C8 w/ Wall Blades Option , Output Rating: 12.6W, 12.6V@1A, Output Configuration: 1830 mm, 18/1C + Shield Cond, UL 1185, 2 Pin DC Jack, Ferrite: Core Size: 14.2*28.5*8.2, GlobTek Black, GT Cord # C0780, Pin Out: Pin2: (-)/Pin1: (+), Blades/Input Cord: (Order Separately), Approvals: CB 60950; ETL; EAC; SIQ 61558; SIQ; SIQ; SIQ; GS; S-Mark 60950; cRUus; cRUus; CE; RoHS; China RoHS; WEEE; PSE; Ukraine; Double Insulation; ETL; CB 60335; Book 60601; VCCI; IP54;	
	Model No. GTM91128LI3CEL	
	Part No./Ordering No. GTM91128LI3C1000XFX9	Rev

ELECTRICAL SPECIFICATIONS

A) ELECTRICAL SPECIFICATIONS

Input Voltage: Specified 90-264 Vac, Nameplate rated: 100-240Vac

Input Frequency: Specified 47-63 Hz, Nameplate rated 50-60Hz

Input Current: < 1.5A RMS Max

01. Pre-Charge Current: 10% of bulk charge current (typical)

02. Bulk Charge Current: see table for nominal value, $\pm 10\%$ max variance

03. Full Charge Voltage: 1 cell: 4.2Vdc; 2 cell: 8.4Vdc, 3 cell: 12.6Vdc, +/-1% Max Variance

04. Charge Termination Current: 10% of bulk charge current (typical)

05. Pre-Charge to Bulk Charge Battery Transition Voltage: 1 cell: 2.86Vdc to 3.15Vdc, 2 cell: 5.72Vdc to 6.30Vdc; 3 cell: 8.58Vdc to 9.45Vdc Charger will be in pre-charge mode when the battery voltage is below the transition voltage.

06. Battery Charging Ambient Temperature: 0°C to 35°C

07. Back-Up Charge Termination Timer: 3 hours standard. Timer may be set to 3 to 12 hours range for batteries with high Ahr capacity by GT engineering. Charger will terminate charging when timer expired. Please advise Sales dept of you battery Ahr capacity.

08. LED Charge Status Indicator

a. Pre-Charge: Solid Amber

b. Bulk Charge: Solid Amber

c. Charge Complete: Solid Green

d. No battery or Fault: Green and Amber LED off

B) ENERGY EFFICIENCY PERFORMANCE

01. CEC Compliant, to Battery Charger Requirements, with up to 10Ahr battery

02. DOE Compliant, to Battery Charger Requirements, with up to 10Ahr battery

C) PROTECTION MODES*

01. Over Voltage Protection: 1 cell: 4.6Vdc - 5.0Vdc, 2 cell: 9.2Vdc - 10.0Vdc; 3 cell: 9.2Vdc - 10.0Vdc Charger will terminate charging when over voltage occurs

02. Short Circuit Protection: Charger will not commence charging when BAT+ and BAT- are shorted

03. Over Temperature Protection: Charger will terminate charging if battery temperature reached 45°C $\pm 3^\circ$ C. Charger will autorecover when temperature drops to about 30°C $\pm 3^\circ$ C. For this feature, 10Kohm thermistor (NTC, 103AT) is required to be installed inside the battery pack. For battery packs without the thermistor, over temperature protection feature is not available and a 10K Ohm resistor is installed inside the charger to bypass the over temperature protection circuit.

04. Reverse Battery Protection: Battery should be mechanically protected from being installed reversed

05. Defective Battery Protection: If battery voltage will not rise above the pre-charge to bulk charge transition voltage (2.86Vdc to 3.15Vdc) within 30 minutes from the time pre-charging begins, the battery is considered defective and the charger will terminate charging.

*When fault condition occurs, the battery has to be removed from the charger and reinstalled after at least 3 seconds to reset the protection. Charging will commence after battery reinstallation only when the fault is cleared.

D) SAFETY

1. IEC 60950-1, IEC 60601-1, IEC 60335-1, IEC 61558-1.

2. Dielectric Withstand Voltage: 5656 Vdc from primary to secondary

3. Earth Leakage Current: N/A for Class II units, there is no PE Ground pin, so Earth Leakage current is not measured

4. Touch Current: Maximum allowed values: 100uA NC(Normal condition) 500uA SFC(single fault condition)

E) OTHER:

PROPRIETARY INFORMATION

PROPRIETARY OF GLOBTEK, INC. ANY REPRODUCTION, DISCLOSURE OR USE OF THIS DRAWING, IN WHOLE OR IN PART, IS HEREBY PROHIBITED EXCEPT AS SPECIFIED IN WRITING BY GLOBTEK, INC. © GlobTek, Inc. 2012 - 2019

quest /05/20/2019 3:00:08 PM

GlobTek, Inc. www.globtek.com 186 Veterans Drive, Northvale, NJ 07647 Tel. (201) 784-1000 Fax (201) 784-0111	Drawing Title: GTM91128LI3CEL, ITE / Medical Power Supply, Efficiency Level: N/A, Case Color/Style: GlobTek Black, Wall Plug-in+Desktop Combination, Li-Ion Battery Charger, Input Rating: 100-240V~, 50-60 Hz, IEC 60320/C8 w/ Wall Blades Option , Output Rating: 12.6W, 12.6V@1A, Output Configuration: 1830 mm, 18/1C + Shield Cond, UL 1185, 2 Pin DC Jack, Ferrite: Core Size: 14.2*28.5*8.2, GlobTek Black, GT Cord # C0780, Pin Out: Pin2: (-)/Pin1: (+), Blades/Input Cord: (Order Separately), Approvals: CB 60950; ETL; EAC; SIQ 61558; SIQ; SIQ; SIQ; GS; S-Mark 60950; cRUus; cRUus; CE; RoHS; China RoHS; WEEE; PSE; Ukraine; Double Insulation; ETL; CB 60335; Book 60601; VCCI; IP54;	
	Model No. GTM91128LI3CEL	
	Part No./Ordering No. GTM91128LI3C1000XFX9	Rev

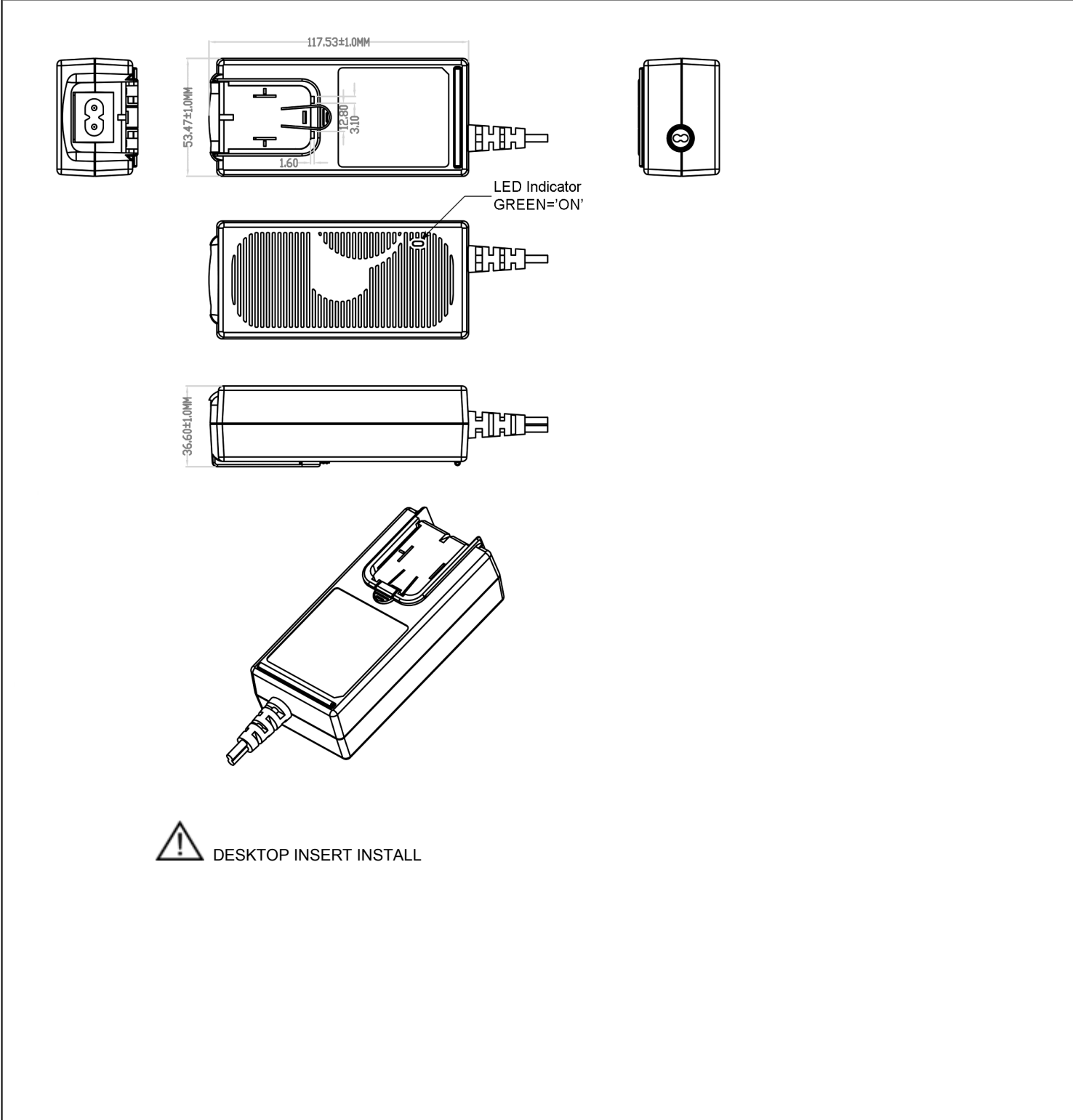
01. MTBF: 300,000 Hours @ 25°C ambient temperature
02. Operating Temperature: 0°C to 35°C ambient temperature
03. Humidity: 0% to 90% relative humidity
04. Storage Temperature: -10°C to 70°C
05. Cooling: Convection

F) ENCLOSURE

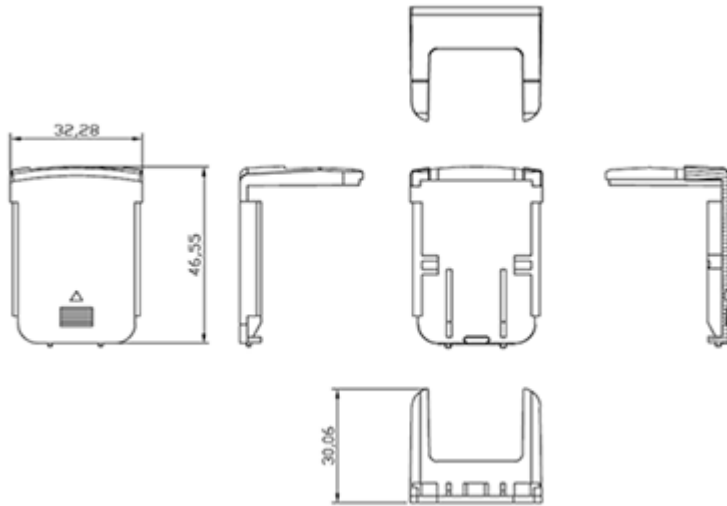
01. Housing: High impact plastic, 94V0 polycarbonate, non-vented
02. Size: 53.47*117.53*36.6 +/-1.0 mm
03. Markings: Label and/or Pad Printed and/or Molded in the case
04. GREEN LED to indicate (see above electrical specifications)

INGRESS PROTECTION: Indoor Use

<p>GlobTek, Inc. www.globtek.com 186 Veterans Drive, Northvale, NJ 07647 Tel. (201) 784-1000 Fax (201) 784-0111</p>	<p>Drawing Title: GTM91128LI3CEL, ITE / Medical Power Supply, Efficiency Level: N/A, Case Color/Style: GlobTek Black, Wall Plug-in+Desktop Combination, Li-Ion Battery Charger, Input Rating: 100-240V~, 50-60 Hz, IEC 60320/C8 w/ Wall Blades Option , Output Rating: 12.6W, 12.6V@1A, Output Configuration: 1830 mm, 18/1C + Shield Cond, UL 1185, 2 Pin DC Jack, Ferrite: Core Size: 14.2*28.5*8.2, GlobTek Black, GT Cord # C0780, Pin Out: Pin2: (-)/Pin1: (+), Blades/Input Cord: (Order Separately), Approvals: CB 60950; ETL; EAC; SIQ 61558; SIQ; SIQ; GS; S-Mark 60950; cRUus; cRUus; CE; RoHS; China RoHS; WEEE; PSE; Ukraine; Double Insulation; ETL; CB 60335; Book 60601; VCCI; IP54;</p>
	<p>Model No. GTM91128LI3CEL</p>
	<p>Part No./Ordering No. GTM91128LI3C1000XF9 Rev</p>



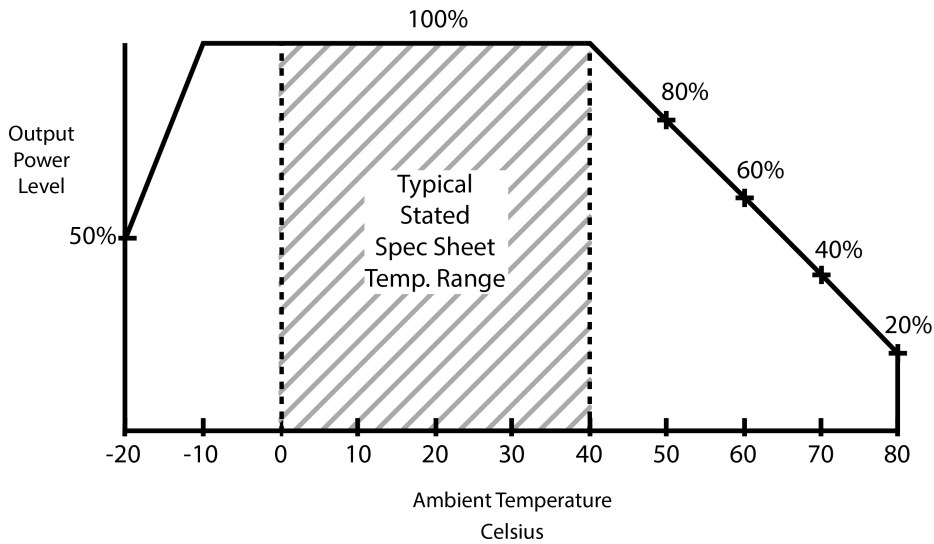
<p>GlobTek, Inc. www.globtek.com 186 Veterans Drive, Northvale, NJ 07647 Tel. (201) 784-1000 Fax (201) 784-0111</p>	<p>Drawing Title: GTM91128LI3CEL, ITE / Medical Power Supply, Efficiency Level: N/A, Case Color/Style: GlobTek Black, Wall Plug-in+Desktop Combination, Li-Ion Battery Charger, Input Rating: 100-240V~, 50-60 Hz, IEC 60320/C8 w/ Wall Blades Option , Output Rating: 12.6W, 12.6V@1A, Output Configuration: 1830 mm, 18/1C + Shield Cond, UL 1185, 2 Pin DC Jack, Ferrite: Core Size: 14.2*28.5*8.2, GlobTek Black, GT Cord # C0780, Pin Out: Pin2: (-)/Pin1: (+), Blades/Input Cord: (Order Separately), Approvals: CB 60950; ETL; EAC; SIQ 61558; SIQ; SIQ; SIQ; GS; S-Mark 60950; cRUus; cRUus; CE; RoHS; China RoHS; WEEE; PSE; Ukraine; Double Insulation; ETL; CB 60335; Book 60601; VCCI; IP54;</p>
<p>Model No. GTM91128LI3CEL</p>	
<p>Part No./Ordering No. GTM91128LI3C1000XF9</p>	<p>Rev</p>



DERATING CURVE

**Typical External
Power Supply Derating Curve**

(For Efficiency Level V and Efficiency Level VI Products)



PROPRIETARY INFORMATION

PROPRIETARY OF GLOBTEK, INC. ANY REPRODUCTION, DISCLOSURE OR USE OF THIS DRAWING, IN WHOLE OR IN PART, IS HEREBY PROHIBITED EXCEPT AS SPECIFIED IN WRITING BY GLOBTEK, INC. © GlobTek, Inc. 2012 - 2019

<p>GlobTek, Inc. www.globtek.com 186 Veterans Drive, Northvale, NJ 07647 Tel. (201) 784-1000 Fax (201) 784-0111</p>	<p>Drawing Title: GTM91128LI3CEL, ITE / Medical Power Supply, Efficiency Level: N/A, Case Color/Style: GlobTek Black, Wall Plug-in+Desktop Combination, Li-Ion Battery Charger, Input Rating: 100-240V~, 50-60 Hz, IEC 60320/C8 w/ Wall Blades Option , Output Rating: 12.6W, 12.6V@1A, Output Configuration: 1830 mm, 18/1C + Shield Cond, UL 1185, 2 Pin DC Jack, Ferrite: Core Size: 14.2*28.5*8.2, GlobTek Black, GT Cord # C0780, Pin Out: Pin2: (-)/Pin1: (+), Blades/Input Cord: (Order Separately), Approvals: CB 60950; ETL; EAC; SIQ 61558; SIQ; SIQ; SIQ; GS; S-Mark 60950; cRUus; cRUus; CE; RoHS; China RoHS; WEEE; PSE; Ukraine; Double Insulation; ETL; CB 60335; Book 60601; VCCI; IP54;</p>
	<p>Model No. GTM91128LI3CEL</p>
	<p>Part No./Ordering No. GTM91128LI3C1000XF9</p>
	<p>Rev</p>

INPUT CONFIGURATION

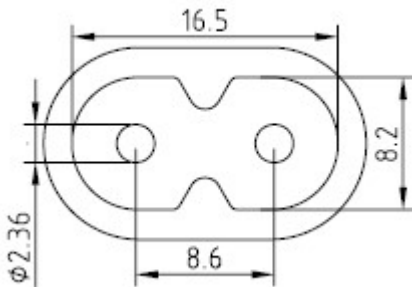
[Alternate grounding configurations](#) available upon request.

Blades/Cord Included:None:

Blades/Cord Installed:None:

IEC 60320/C8 AC Inlet connector

[Blade Insertion Instructions](#)
[R-Blade Style Instruction Video](#)



Mates with IEC 60320/C8 Plug

This series of Interchangeable Blade products may be used with Proprietary Interchangeable Blades as described below or with standard international power cords.

Optional INPUT BLADES: R-Socket: below are available blades configurations which are "not included" (unless stated above); may be purchased separately, packaged with power supply, or as a separate "R-KIT" if specified

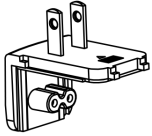
1. Class II model NEMA 1-15P AC power plug with 2 prongs, R-NA-2(R)
 2. Australian AS 3112 configuration: SAA 2 pins Class II, R-SAA-2(R)
 3. UK BS 1363 configuration: UK 2 pins (dummy Ground) Class II, R-UK-2(R)
 4. European CEE 7/16 configuration: Europlug 2 PINS, Class II, R-EU-2(R)
 5. China GB 2099 configuration: 2 blades, Class II; CN P/N:R-CN-2(R)
 6. Desktop Insert
- Kits
05. R-KIT: 1,2,3,4 above

PROPRIETARY INFORMATION

PROPRIETARY OF GLOBTEK, INC. ANY REPRODUCTION, DISCLOSURE OR USE OF THIS DRAWING, IN WHOLE OR IN PART, IS HEREBY PROHIBITED EXCEPT AS SPECIFIED IN WRITING BY GLOBTEK, INC. © GlobTek, Inc. 2012 - 2019

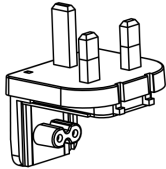
GlobTek, Inc. www.globtek.com 186 Veterans Drive, Northvale, NJ 07647 Tel. (201) 784-1000 Fax (201) 784-0111	Drawing Title: GTM91128LI3CEL, ITE / Medical Power Supply, Efficiency Level: N/A, Case Color/Style: GlobTek Black, Wall Plug-in+Desktop Combination, Li-Ion Battery Charger, Input Rating: 100-240V~, 50-60 Hz, IEC 60320/C8 w/ Wall Blades Option , Output Rating: 12.6W, 12.6V@1A, Output Configuration: 1830 mm, 18/1C + Shield Cond, UL 1185, 2 Pin DC Jack, Ferrite: Core Size: 14.2*28.5*8.2, GlobTek Black, GT Cord # C0780, Pin Out: Pin2: (-)/Pin1: (+), Blades/Input Cord: (Order Separately), Approvals: CB 60950; ETL; EAC; SIQ 61558; SIQ; SIQ; SIQ; GS; S-Mark 60950; cRUus; cRUus; CE; RoHS; China RoHS; WEEE; PSE; Ukraine; Double Insulation; ETL; CB 60335; Book 60601; VCCI; IP54;	
	Model No. GTM91128LI3CEL	
	Part No./Ordering No. GTM91128LI3C1000XFX9	Rev

06. R-KIT-INTL: 2,3,4 above



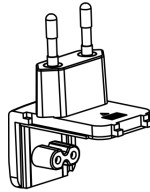
UL 2P

P/N: R-NA-2(R)
NORTH AMERICA
JAPAN



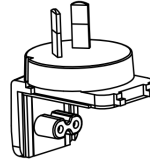
UK 2P

P/N: R-UK-2(R)
UNITED KINGDOM
HONG KONG
SINGAPORE



EU 2P

P/N: R-EU-2(R)
EUROPE
SOUTH AMERICA



AUS 2P

P/N: R-SAA-2(R)
AUSTRALIA

Standard Cordsets

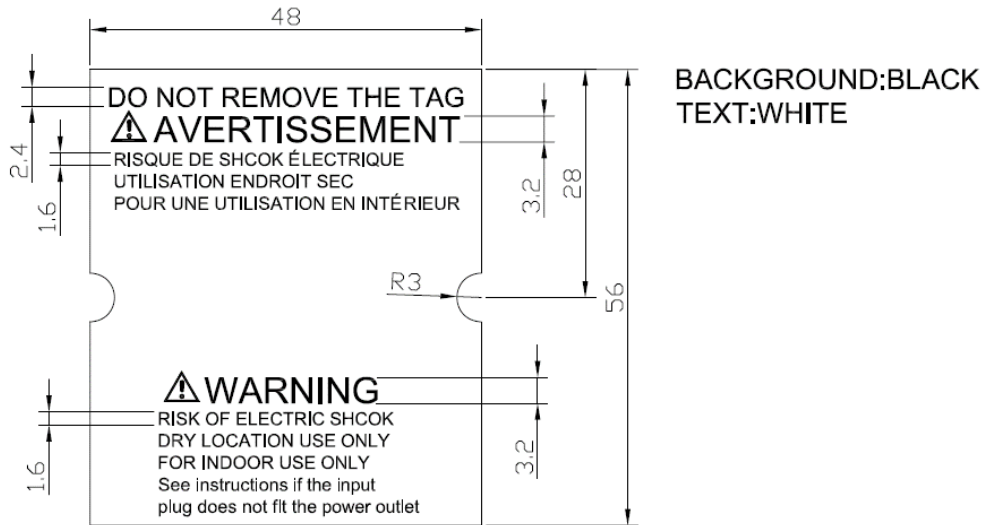
Below are standard cordsets which are "not included" (unless stated above); these may be purchased separately or packaged with the power supply. Contact your Sales Engineer if the style required is not shown below. Many more available in different lengths, colors or cable material.

Standard International IEC 320/C7 Cordsets

Part Number	Country	Plug	Connector	Length (mm)	Length (feet)
2094112M703(R)	Argentina (Type I)	IRAM 2063	IEC 320/C7	2000	7
5014112M703A(R)	Australian (Type I)	AS 3112	IEC 320/C7	2000	7
207B4111M8703(R)	Brazil (Type N)	NBR14136	IEC 320/C7	1800	6
4533501M8703(R)	China (Type A)	GB 2099.1	IEC 320/C7	1830	6
2074112M703A(R)	European (Type C)	CEE 7/16	IEC 320/C7	2000	7
2084111M8703(R)	India (Type M)	BS 546	IEC 320/C7	1800	6
451J3401M8703(R)	Japan (Type A)	JIS 8303	IEC 320/C7	1830	6
2044112M703A(R)	Korea (Type C)	KS C8305	IEC 320/C7	2000	7
4511116F703A(R)	N. American (Type A)	NEMA 1-15P	IEC 320/C7	1830	6
4033401M8703A(R)	Taiwan (Type A)	CNS690	IEC 320/C7	1830	6
6104112M703A(R)	UK, Hong Kong, Singapore, Gulf States (Type G)	BS1363	IEC 320/C7	2000	7

<p>GlobTek, Inc. www.globtek.com 186 Veterans Drive, Northvale, NJ 07647 Tel. (201) 784-1000 Fax (201) 784-0111</p>	<p>Drawing Title: GTM91128LI3CEL, ITE / Medical Power Supply, Efficiency Level: N/A, Case Color/Style: GlobTek Black, Wall Plug-in+Desktop Combination, Li-Ion Battery Charger, Input Rating: 100-240V~, 50-60 Hz, IEC 60320/C8 w/ Wall Blades Option , Output Rating: 12.6W, 12.6V@1A, Output Configuration: 1830 mm, 18/1C + Shield Cond, UL 1185, 2 Pin DC Jack, Ferrite: Core Size: 14.2*28.5*8.2, GlobTek Black, GT Cord # C0780, Pin Out: Pin2: (-)/Pin1: (+), Blades/Input Cord: (Order Separately), Approvals: CB 60950; ETL; EAC; SIQ 61558; SIQ; SIQ; GS; S-Mark 60950; cRUus; cRUus; CE; RoHS; China RoHS; WEEE; PSE; Ukraine; Double Insulation; ETL; CB 60335; Book 60601; VCCI; IP54;</p>
<p>Model No. GTM91128LI3CEL</p>	
<p>Part No./Ordering No. GTM91128LI3C1000XF9</p>	<p>Rev</p>

Warning label to be added to the cable (next to case strain relief):



ADDITIONAL OUTPUT PLUG OPTIONS ARE AVAILABLE AT <https://www.globtek.com/connectors/>
STANDARD PLUGS AND CONNECTORS CAN BE SEEN ONLINE AT <https://www.globtek.com/connectors/>

GlobTek, Inc. www.globtek.com 186 Veterans Drive, Northvale, NJ 07647 Tel. (201) 784-1000 Fax (201) 784-0111	Drawing Title: GTM91128LI3CEL, ITE / Medical Power Supply, Efficiency Level: N/A, Case Color/Style: GlobTek Black, Wall Plug-in+Desktop Combination, Li-Ion Battery Charger, Input Rating: 100-240V~, 50-60 Hz, IEC 60320/C8 w/ Wall Blades Option , Output Rating: 12.6W, 12.6V@1A, Output Configuration: 1830 mm, 18/1C + Shield Cond, UL 1185, 2 Pin DC Jack, Ferrite: Core Size: 14.2*28.5*8.2, GlobTek Black, GT Cord # C0780, Pin Out: Pin2: (-)/Pin1: (+), Blades/Input Cord: (Order Separately), Approvals: CB 60950; ETL; EAC; SIQ 61558; SIQ; SIQ; SIQ; GS; S-Mark 60950; cRUus; cRUus; CE; RoHS; China RoHS; WEEE; PSE; Ukraine; Double Insulation; ETL; CB 60335; Book 60601; VCCI; IP54;	
	Model No. GTM91128LI3CEL	
	Part No./Ordering No. GTM91128LI3C1000XFX9	Rev

LABEL:L-1470

LABEL P/N: ISO 15223 medical device compliant label

MATERIAL: Flat Thermal Transfer, Imprintable, Polyester Label and/or Pad Printed and/or Molded, and/or Laser Engraved in the case

BACKGROUND COLOR: Black if housing is Black, White or Silver if housing is White or Gray.

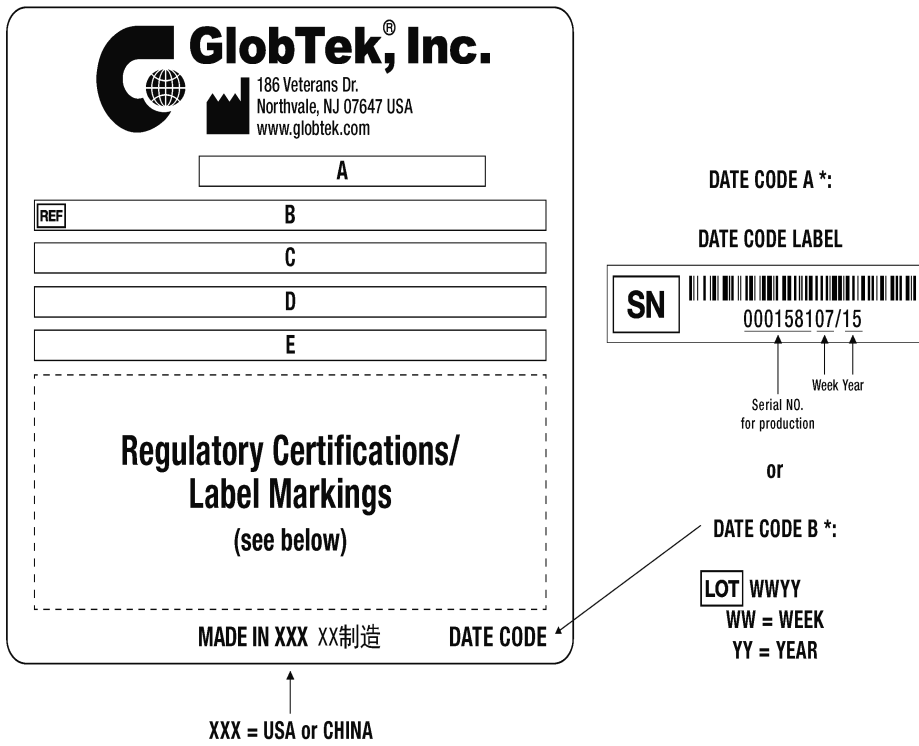
TEXT COLOR: White or Silver if label is Black Background for Black housing. Black if label is White or Silver background and Housing is White or Gray

LABEL WIDTH (mm): 45.0

LABEL HEIGHT (mm): 50.0

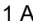
SPECIAL BARCODE LABEL MATERIAL: No

Below is the minimum information which will appear on the label. NOTE: in the logo area additional/actual positioning of symbols and text is subjected to change as per agency updates/requirements or additional model approvals become available. Agency logos may be in Regulatory Certifications/Label Markings area on the label or molded into the case housing outside the label area. Information will be shown via Label and/or Pad Printed and/or Molded in the case.



A=ITE / Medical Power Supply
B=P/N: (料号) GTM91128LI3C1000XFX9
C=Model (型号) GTM91128LI3CEL

GlobTek, Inc. www.globtek.com 186 Veterans Drive, Northvale, NJ 07647 Tel. (201) 784-1000 Fax (201) 784-0111	Drawing Title: GTM91128LI3CEL, ITE / Medical Power Supply, Efficiency Level: N/A, Case Color/Style: GlobTek Black, Wall Plug-in+Desktop Combination, Li-Ion Battery Charger, Input Rating: 100-240V~, 50-60 Hz, IEC 60320/C8 w/ Wall Blades Option , Output Rating: 12.6W, 12.6V@1A, Output Configuration: 1830 mm, 18/1C + Shield Cond, UL 1185, 2 Pin DC Jack, Ferrite: Core Size: 14.2*28.5*8.2, GlobTek Black, GT Cord # C0780, Pin Out: Pin2: (-)/Pin1: (+), Blades/Input Cord: (Order Separately), Approvals: CB 60950; ETL; EAC; SIQ 61558; SIQ; SIQ; SIQ; GS; S-Mark 60950; cRUus; cRUus; CE; RoHS; China RoHS; WEEE; PSE; Ukraine; Double Insulation; ETL; CB 60335; Book 60601; VCCI; IP54;	
	Model No. GTM91128LI3CEL	
	Part No./Ordering No. GTM91128LI3C1000XFX9	Rev

D=Input (輸入) 100-240V~, 50-60 Hz, 1.5A
E=Output (輸出) 12.6 V  1 A, 12.6W

- AGENCY ONLINE DOCUMENTS <http://globtek.info/certs/GTM91128%20Lithium%20Ion%20Battery/>
CE EC-Declaration for Medical http://globtek.force.com/models/ec_declaration?id=a0Oa000000C2KH4EAN
CE EC-Declaration for Industrial/Commercial/ITE http://globtek.force.com/models/ec_declaration?id=a0Oa000000C2KH4EAN
CE EC-Declaration for Household [Contact GlobTek for more information](#)
RoHS/RoHS3 Declaration https://www.globtek.com/pdf/rohs_cert/01ta0000003dRHZAAM
REACH Declaration https://www.globtek.com/pdf/iso_certificates/REACH.pdf
Conflict Minerals Declaration <https://www.globtek.com/pdf/conflict-minerals.pdf>

IPXY rating is based on 3rd party testing and customers should check suitability and test system level IPXY rating before ordering.

Regulatory Certifications/Label Markings

- LATEST PRODUCT/MODEL CERTIFICATIONS: <http://en.globtek.com/datasheet/id/a0Oa000000C2KH4>
AGENCY ONLINE DOCUMENTS: <http://globtek.info/certs/GTM91128%20Lithium%20Ion%20Battery/>

FRONT VIEW



Pin2: (-)/Pin1: (+)

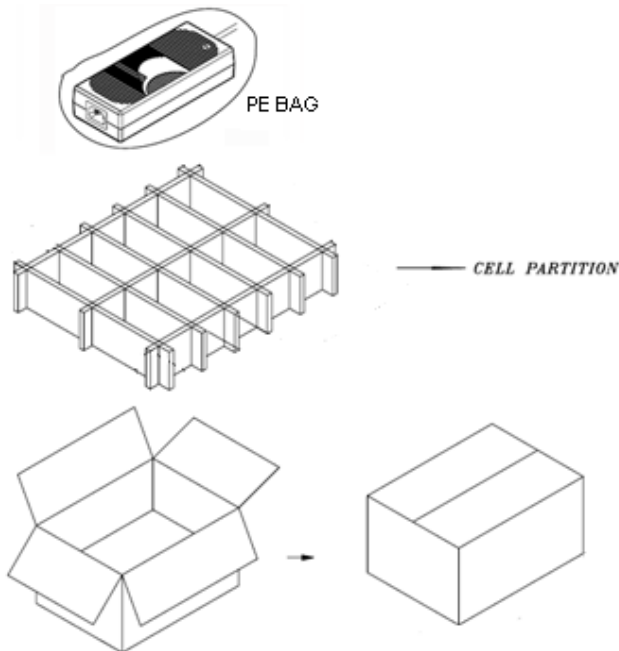
PIN2 - + PIN1

<p>GlobTek, Inc. www.globtek.com 186 Veterans Drive, Northvale, NJ 07647 Tel. (201) 784-1000 Fax (201) 784-0111</p>	<p>Drawing Title: GTM91128LI3CEL, ITE / Medical Power Supply, Efficiency Level: N/A, Case Color/Style: GlobTek Black, Wall Plug-in+Desktop Combination, Li-Ion Battery Charger, Input Rating: 100-240V~, 50-60 Hz, IEC 60320/C8 w/ Wall Blades Option , Output Rating: 12.6W, 12.6V@1A, Output Configuration: 1830 mm, 18/1C + Shield Cond, UL 1185, 2 Pin DC Jack, Ferrite: Core Size: 14.2*28.5*8.2, GlobTek Black, GT Cord # C0780, Pin Out: Pin2: (-)/Pin1: (+), Blades/Input Cord: (Order Separately), Approvals: CB 60950; ETL; EAC; SIQ 61558; SIQ; SIQ; SIQ; GS; S-Mark 60950; cRUus; cRUus; CE; RoHS; China RoHS; WEEE; PSE; Ukraine; Double Insulation; ETL; CB 60335; Book 60601; VCCI; IP54;</p>
<p>Model No. GTM91128LI3CEL</p>	
<p>Part No./Ordering No. GTM91128LI3C1000XF9</p>	<p>Rev</p>

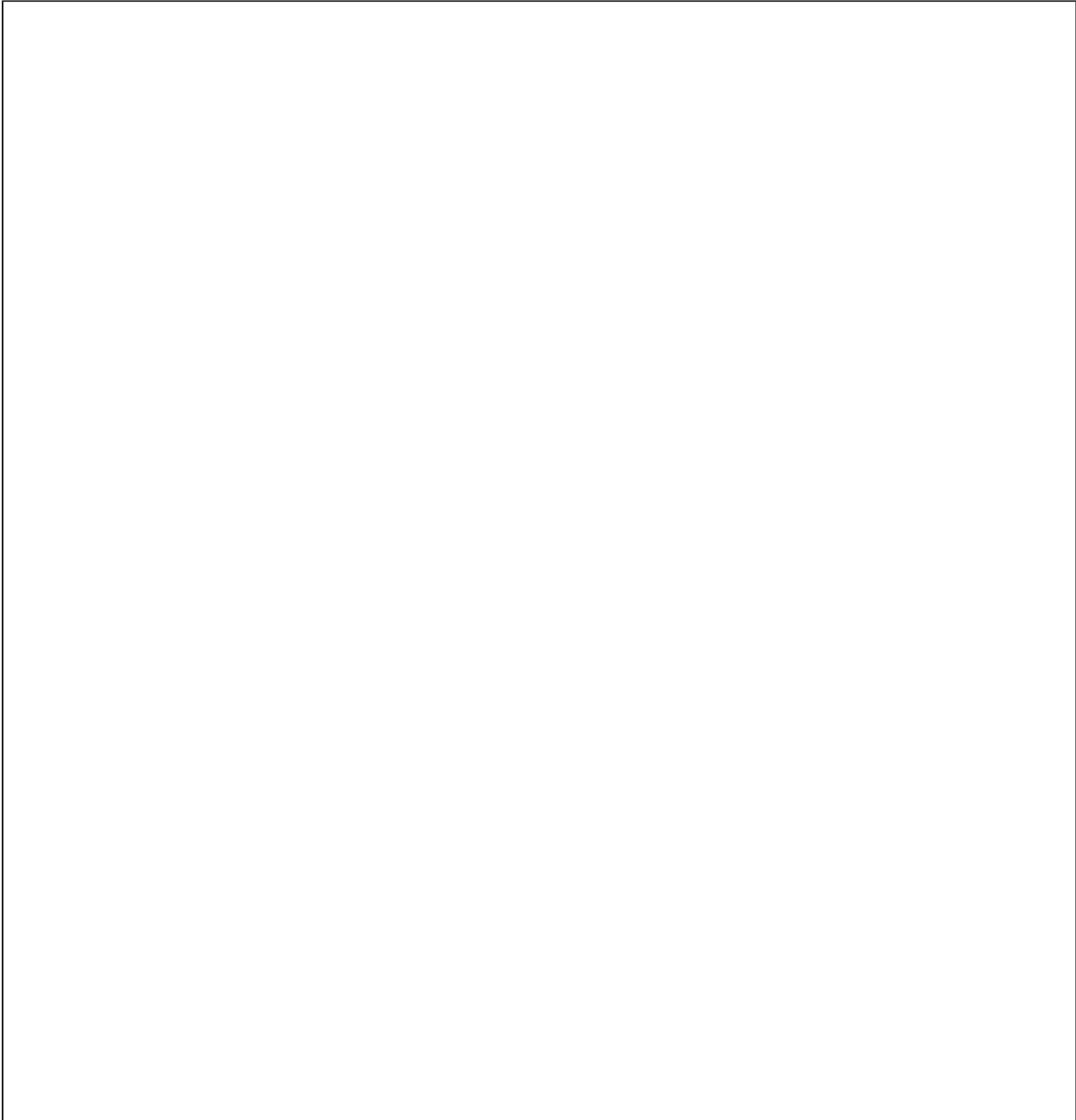
PACKAGING

Packing Spec P/N: Standard DT, Cellular packaging, User manual
 Box Qty: 60
 Gift Box Size (mm): 142*60*62
 Gift Box Color: White
 Master Carton Size (mm): 442 x 330 x 275
 Master Carton Cubic Volume (m³): 0.04
 Master GW (Kg): 15.2 kg
 BLADES INCLUDED: None:
 BLADE/CORD INSTALLED: None:
 USER MANUAL: 809-DESKTOPUSERMANUAL
 USER MANUAL WEB LINK: <https://en.globtek.com/pdf/809-DESKTOPUSERMANUA...>

If specific packaging is required, this section must specify all requirements and note "no exceptions". If this section does not specify packaging, it is subject to change without notice at GlobTek's discretion.



<p>GlobTek, Inc. www.globtek.com 186 Veterans Drive, Northvale, NJ 07647 Tel. (201) 784-1000 Fax (201) 784-0111</p>	<p>Drawing Title: GTM91128LI3CEL, ITE / Medical Power Supply, Efficiency Level: N/A, Case Color/Style: GlobTek Black, Wall Plug-in+Desktop Combination, Li-Ion Battery Charger, Input Rating: 100-240V~, 50-60 Hz, IEC 60320/C8 w/ Wall Blades Option , Output Rating: 12.6W, 12.6V@1A, Output Configuration: 1830 mm, 18/1C + Shield Cond, UL 1185, 2 Pin DC Jack, Ferrite: Core Size: 14.2*28.5*8.2, GlobTek Black, GT Cord # C0780, Pin Out: Pin2: (-)/Pin1: (+), Blades/Input Cord: (Order Separately), Approvals: CB 60950; ETL; EAC; SIQ 61558; SIQ; SIQ; SIQ; GS; S-Mark 60950; cRUus; cRUus; CE; RoHS; China RoHS; WEEE; PSE; Ukraine; Double Insulation; ETL; CB 60335; Book 60601; VCCI; IP54;</p>
	<p>Model No. GTM91128LI3CEL</p>
	<p>Part No./Ordering No. GTM91128LI3C1000XFX9</p>
	<p>Rev</p>



GlobTek, Inc. www.globtek.com 186 Veterans Drive, Northvale, NJ 07647 Tel. (201) 784-1000 Fax (201) 784-0111	Drawing Title: GTM91128LI3CEL, ITE / Medical Power Supply, Efficiency Level: N/A, Case Color/Style: GlobTek Black, Wall Plug-in+Desktop Combination, Li-Ion Battery Charger, Input Rating: 100-240V~, 50-60 Hz, IEC 60320/C8 w/ Wall Blades Option , Output Rating: 12.6W, 12.6V@1A, Output Configuration: 1830 mm, 18/1C + Shield Cond, UL 1185, 2 Pin DC Jack, Ferrite: Core Size: 14.2*28.5*8.2, GlobTek Black, GT Cord # C0780, Pin Out: Pin2: (-)/Pin1: (+), Blades/Input Cord: (Order Separately), Approvals: CB 60950; ETL; EAC; SIQ 61558; SIQ; SIQ; SIQ; GS; S-Mark 60950; cRUus; cRUus; CE; RoHS; China RoHS; WEEE; PSE; Ukraine; Double Insulation; ETL; CB 60335; Book 60601; VCCI; IP54;	
	Model No. GTM91128LI3CEL	
	Part No./Ordering No. GTM91128LI3C1000XFX9	Rev

INSTRUCTIONS TO THE OEM SYSTEMS ENGINEER

It is the responsibility of the OEM systems engineer to provide the end system user instructions and warnings for the use of this product in the end system.

If an input cord is required for this product, AC Mains voltage should be provided to the power supply by a power supply cord approved to the national standards of the country in which it will be used.

This power supply is not designed to be repaired. No serviceable parts inside. A blown internal fuse is an indication of catastrophic failure of circuit component(s). If a Failure Analysis is required for a failed power supply/battery charger, please return the damaged unit to Globtek for an accurate determination of the root cause of the failure.

EMC Compliance of the complete OEM product, including the GlobTek power supply/battery charger needs to be verified by the OEM systems engineer.

INSTRUCTION SHEET

N/A