

GlobTek, Inc. www.globtek.com 186 Veterans Drive, Northvale, NJ 07647 Tel. (201) 784-1000 Fax (201) 784-0111	Drawing Title: GTD93035L6013.2-F, ITE Power Supply, Efficiency Level: N/A, Case Color/Style: Metal, Desktop/External, DC-DC, Input Rating: 9-60 VDC, Terminal Block 3 Conductor , Output Rating: 60W, 13.2V@4.54A, Output Configuration: N/A mm, N/A/3 Cond, PCB Mounted, 5.08mm pitch 3 position, Ferrite: None, N/A, GT Cord # C0751, Pin Out: Marked Terminal Block (+V), Blades/Input Cord: Not Applicable, Approvals: IRAM; WEEE; VCCI; Ukraine; EAC; CB 62368; S-Mark 60950; CE; FCC; IP54; Salt Mist; Vibration Shock Bump; Saudi; South Africa; cETLus; AS/NZS; RCM; SGS (Brazil) 13.2V only; CU Kazakhstan; NOM; CCC; South Africa; Malaysia; CB 60950;	
	Model No. GTD93035L6013.2-F	
	Part No./Ordering No. GTD93035L6013.2-F(R)	Rev H1

REVISION HISTORY

REV	DESCRIPTION	SUB	DATE	APPROVED
H1	Label revisions: Update GOST to EAC, Update Ukraine logo; Update NOM-ETL to NOM-ANCE; Update RoHS 2 to RoHS; Add FCC and VCCI	bsiep	05/18/2020	QA
H	Change the output connector back to 3 pin style as customer H requires	gyang	01/10/2017	QA
G	Update the output connector to 2 pin style	gyang	11/21/2016	QA
F	Update label drawing according to H/W version	lwang	04/01/2014	QA
D	Update revision numbers	lwang	01/15/2014	QA
E	Update O/P cord from TB2 to TB3, correct enclosure size from 180*95*53 mm to 189*95*53 mm	QA	01/15/2014	QA
C	Update enclosure drawing	QA	12/27/2013	QA
B	update P/N	eSea	04/19/2013	ES
A	Preliminary	eSea	04/17/2013	ES

In Addition to GlobTek Inc.'s renewed ISO9001:2015 - Quality Management System Certification, GlobTek Inc. is now certified to:

ISO13485:2016 - Medical Devices Quality Management System Certification
ISO14001:2015 - Environmental Management System Certification

ISO Certificates are available online at <https://www.globtek.com/iso-certificates/>

Customer Approval of Specification:

Please approve, sign and send back to GlobTek so we can complete order processing.

A delay in receipt of this form will delay delivery schedule.

Company Name:

Customer P/N:

Quote Number:

Date:

Authorized Representative Name:

Authorized Representative Signature:

The acceptance of this specification and use of the product described in this document indicates the acceptance and binding of the customer to Globtek terms and conditions, which supersede all other agreements, terms, and conditions (<https://en.globtek.com/terms-and-conditions/>).

The purchaser of this product (Customer) agrees that it is their sole responsibility to determine suitability/fitness of the product described in this specification for their application and to take precautions for protection against any hazards attendant to the handling and use of the product.

Footnote:

GlobTek Inc. will not be liable for the safety and performance of these power supplies if unauthorized access and repair occurs. End user should consult applicable UL, CSA or EN standards for proper installation instruction.

Limitation of Use:

<p>GlobTek, Inc. www.globtek.com 186 Veterans Drive, Northvale, NJ 07647 Tel. (201) 784-1000 Fax (201) 784-0111</p>	<p>Drawing Title: GTD93035L6013.2-F, ITE Power Supply, Efficiency Level: N/A, Case Color/Style: Metal, Desktop/External, DC-DC, Input Rating: 9-60 VDC, Terminal Block 3 Conductor , Output Rating: 60W, 13.2V@4.54A, Output Configuration: N/A mm, N/A/3 Cond, PCB Mounted, 5.08mm pitch 3 position, Ferrite: None, N/A, GT Cord # C0751, Pin Out: Marked Terminal Block (+V), Blades/Input Cord: Not Applicable, Approvals: IRAM; WEEE; VCCI; Ukraine; EAC; CB 62368; S-Mark 60950; CE; FCC; IP54; Salt Mist; Vibration Shock Bump; Saudi; South Africa; cETLus; AS/NZS; RCM; SGS (Brazil) 13.2V only; CU Kazakhstan; NOM; CCC; South Africa; Malaysia; CB 60950;</p>
	<p>Model No. GTD93035L6013.2-F</p>
	<p>Part No./Ordering No. GTD93035L6013.2-F(R) Rev H1</p>

GlobTek products are intended for use with commercial, medical, and/or industrial equipment only. GlobTek product are not authorized for use as mission critical components in life support hazardous environment, nuclear or aircraft applications without prior written approval from the CEO of GlobTek Inc.
Contents of this document are subject to change without prior notice.

GlobTek, Inc. www.globtek.com 186 Veterans Drive, Northvale, NJ 07647 Tel. (201) 784-1000 Fax (201) 784-0111	Drawing Title: GTD93035L6013.2-F, ITE Power Supply, Efficiency Level: N/A, Case Color/Style: Metal, Desktop/External, DC-DC, Input Rating: 9-60 VDC, Terminal Block 3 Conductor , Output Rating: 60W, 13.2V@4.54A, Output Configuration: N/A mm, N/A/3 Cond, PCB Mounted, 5.08mm pitch 3 position, Ferrite: None, N/A, GT Cord # C0751, Pin Out: Marked Terminal Block (+V), Blades/Input Cord: Not Applicable, Approvals: IRAM; WEEE; VCCI; Ukraine; EAC; CB 62368; S-Mark 60950; CE; FCC; IP54; Salt Mist; Vibration Shock Bump; Saudi; South Africa; cETLus; AS/NZS; RCM; SGS (Brazil) 13.2V only; CU Kazakhstan; NOM; CCC; South Africa; Malaysia; CB 60950;
	Model No. GTD93035L6013.2-F Part No./Ordering No. GTD93035L6013.2-F(R) Rev H1

POWER SUPPLY INFORMATION

TYPE:	Desktop/External
TECHNOLOGY:	DC-DC
CASE COLOR:	Metal
NAMEPLATE RATED INPUT:	9-60 VDC, 9.0 A
INPUT CONFIG:	Terminal Block 3 Conductor
WATTS:	60.0
VOLTS OUT:	13.2
CURRENT OUT (Amps):	4.54
INGRESS PROTECTION:	
GROUNDING CONFIGURATION:	(F1) Class II / Double Insulated
EFFICIENCY LEVEL:	
OUTPUT CONFIGURATION:	N/A mm, N/A/3 Cond, PCB Mounted, 5.08mm pitch 3 position, Ferrite: None, N/A, GT Cord # C0751
CONNECTOR PIN OUT:	Marked Terminal Block (+V)
LABEL SPECS:	GTD93035L6013.2-F(R),L-1313
SPECIAL BARCODE LABEL MATERIAL:	
PACK SPEC:	
USER MANUAL:	

<p>GlobTek, Inc. www.globtek.com 186 Veterans Drive, Northvale, NJ 07647 Tel. (201) 784-1000 Fax (201) 784-0111</p>	<p>Drawing Title: GTD93035L6013.2-F, ITE Power Supply, Efficiency Level: N/A, Case Color/Style: Metal, Desktop/External, DC-DC, Input Rating: 9-60 VDC, Terminal Block 3 Conductor , Output Rating: 60W, 13.2V@4.54A, Output Configuration: N/A mm, N/A/3 Cond, PCB Mounted, 5.08mm pitch 3 position, Ferrite: None, N/A, GT Cord # C0751, Pin Out: Marked Terminal Block (+V), Blades/Input Cord: Not Applicable, Approvals: IRAM; WEEE; VCCI; Ukraine; EAC; CB 62368; S-Mark 60950; CE; FCC; IP54; Salt Mist; Vibration Shock Bump; Saudi; South Africa; cETLus; AS/NZS; RCM; SGS (Brazil) 13.2V only; CU Kazakhstan; NOM; CCC; South Africa; Malaysia; CB 60950;</p> <p>Model No. GTD93035L6013.2-F</p> <p>Part No./Ordering No. GTD93035L6013.2-F(R) Rev H1</p>
---	--

Notes/Modifications/Customizations (notes in this section supersede the values shown in the standard spec):

DIMENSIONS ARE IN MM UNLESS SPECIFIED OTHERWISE.

Safety Approval Pending (must be designed to meet)

1.00) EMC/EMI

- EMI (Emissions) FCC Part 15, subpart B, Class B, EN 55022, Class B (CISPR 22)
- EMC (Immunity) EN 55024:1998; ESD Level-4, Class-A e-mark in accordance with EU Directive 72/245/EEC

2.00) Safety (Standard I.T.E. device)

- 2.01) UL/cUL/CB 60950-1/ w/ deviations
-CSA C22.2 No. 60950-1, IEC 60950 (will use cUL as equivalent)
- 2.02) AU + NZ C-Tick + Safety (S3548,Class B (CISPR22),GB9254)
- 2.03) Brazil-In-Metro
- 2.04) Mexico-NOM
- 2.05) Russia-Gost-R
- 2.06) Saudi Arabia-KSA PCP(SASO)
- 2.07) South Africa-NRCS (Safety) & SABS (EMC)
- 2.08) Malaysia-MS Mark
- 2.09) Argentina- S-Mark
- 2.10) China-CCC Certification
- 2.11) Vibration & Bump-IEC 60068-2-64 Fh (Random)/IEC 60068-2-29 Eb
- 2.12) RoHS & REACH Compliance: The terminal and associated peripherals and accessories will be European Commission directive 2011/65/EU (ROHS), EC 1907/2006 (REACH) and China (China MII #39) RoHS compliant.

GlobTek, Inc. www.globtek.com 186 Veterans Drive, Northvale, NJ 07647 Tel. (201) 784-1000 Fax (201) 784-0111	Drawing Title: GTD93035L6013.2-F, ITE Power Supply, Efficiency Level: N/A, Case Color/Style: Metal, Desktop/External, DC-DC, Input Rating: 9-60 VDC, Terminal Block 3 Conductor , Output Rating: 60W, 13.2V@4.54A, Output Configuration: N/A mm, N/A/3 Cond, PCB Mounted, 5.08mm pitch 3 position, Ferrite: None, N/A, GT Cord # C0751, Pin Out: Marked Terminal Block (+V), Blades/Input Cord: Not Applicable, Approvals: IRAM; WEEE; VCCI; Ukraine; EAC; CB 62368; S-Mark 60950; CE; FCC; IP54; Salt Mist; Vibration Shock Bump; Saudi; South Africa; cETLus; AS/NZS; RCM; SGS (Brazil) 13.2V only; CU Kazakhstan; NOM; CCC; South Africa; Malaysia; CB 60950;	
	Model No. GTD93035L6013.2-F	
	Part No./Ordering No. GTD93035L6013.2-F(R)	Rev H1

ELECTRICAL SPECIFICATIONS

A) ELECTRICAL SPECIFICATIONS:

1. Input Voltage: 9-60 Vdc
2. Output Regulation: +/- 1% measured at the output connector
3. Line Voltage Regulation: +/- 1% typical measured at full load
4. Output Ripple (Vp-p): 132mV maximum, measured at 20 MHz bandwidth with 0.1 uf ceramic capacitor in parallel with 10 uf electrolytic capacitor connected at the end of the output connector at nominal line
5. Turn-ON/OFF Overshoot: 5% maximum, 500uS typical recovery time for 25% to 50% step load
6. Turn-ON Delay: 3 Seconds, maximum @ full load, nominal line
7. Hold-Up Time: 5mS typical @ nominal input voltage and full load
8. Inrush Current: 60A maximum cold start @ 9Vdc input
9. Switching Frequency: 150 KHz typical
10. Efficiency: >75% at 9Vdc full load
>78% at 12Vdc full load
>80% at 12Vdc-60Vdc full load
11. Transient Response: 200uS to +/-1.5% max value @ 25% load step

B) PROTECTION

1. Over-Voltage: Protected latch type, input recycling required to recover
2. Short Circuit: Hiccup with auto recovery
3. Over-load: Hiccup with auto recovery
4. Input Protection: Input line and neutral fusing
5. Reverse Polarity Protection: Yes

C) SAFETY

1. Dielectric Withstand Voltage: 1600 Vdc from primary to secondary, primary to chassis, secondary to chassis

D) OTHER:

1. MTBF: 200,000 Hours @ 25°C ambient temperature
2. Operating Temperature: -30°C to 50°C ambient temperature
3. Humidity: 5% to 85% relative humidity
4. Storage Temperature: -40°C to 85°C
5. Cooling: Convection

E) ENCLOSURE

1. Housing: Rugged, vehicle mounted. Vibration, shock, contamination, water resistant. Aluminum
2. Size: 189*95*53mm
3. Markings: Label
4. Vibration: IEC 60068-2-64 Fh (Random)
5. Bump: IEC 60068-2-29 Eb
6. Waterproof: Not required. However, it should be water-resistant. Recommended IEC 60068-2-52
7. Contamination: Resistant to chemicals, rust, etc.

PROPRIETARY INFORMATION

PROPRIETARY OF GLOBTEK, INC. ANY REPRODUCTION, DISCLOSURE OR USE OF THIS DRAWING, IN WHOLE OR IN PART, IS HEREBY PROHIBITED EXCEPT AS SPECIFIED IN WRITING BY GLOBTEK, INC. © GlobTek, Inc. 2013 - 2020

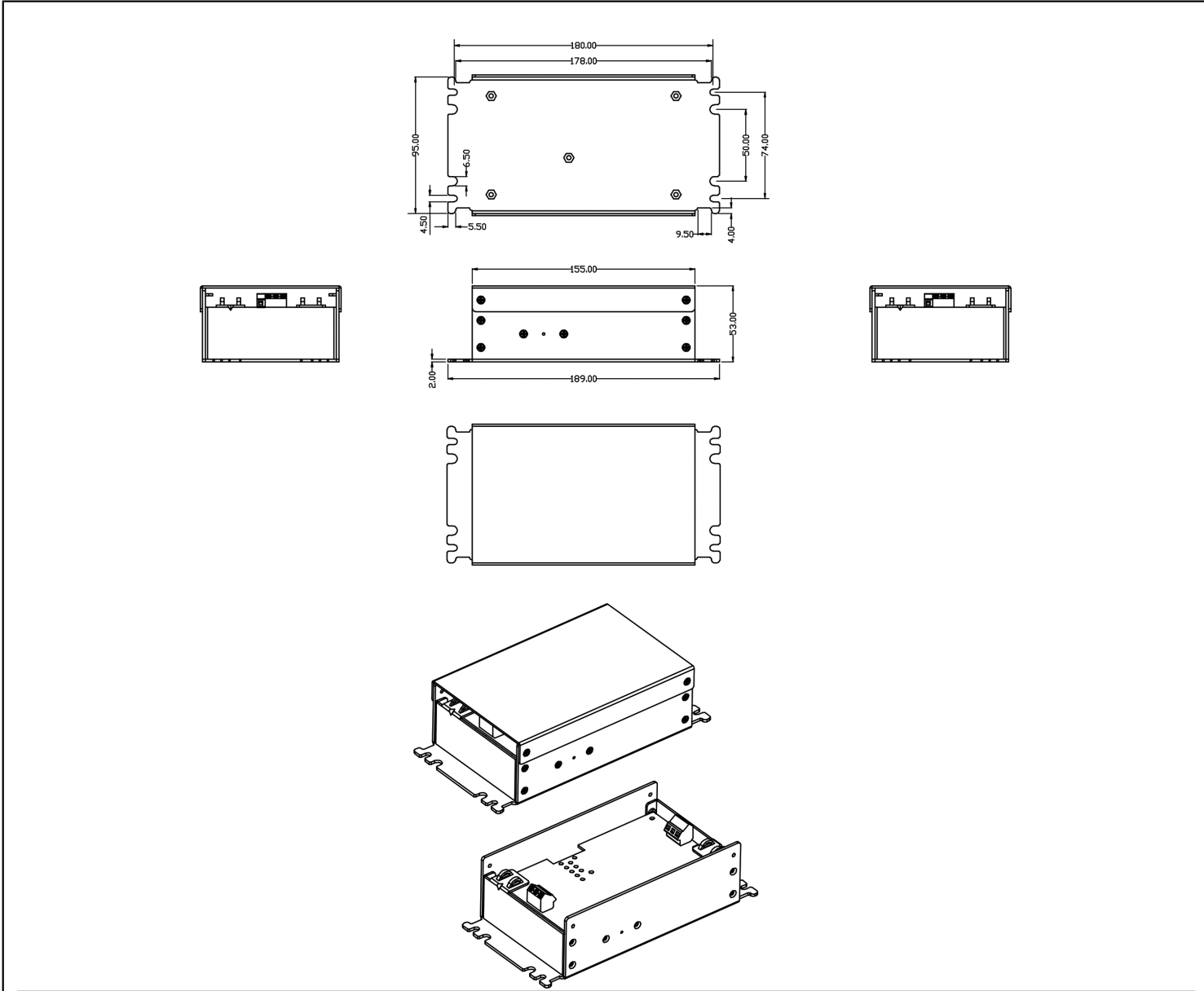
<p>GlobTek, Inc. www.globtek.com 186 Veterans Drive, Northvale, NJ 07647 Tel. (201) 784-1000 Fax (201) 784-0111</p>	<p>Drawing Title: GTD93035L6013.2-F, ITE Power Supply, Efficiency Level: N/A, Case Color/Style: Metal, Desktop/External, DC-DC, Input Rating: 9-60 VDC, Terminal Block 3 Conductor , Output Rating: 60W, 13.2V@4.54A, Output Configuration: N/A mm, N/A/3 Cond, PCB Mounted, 5.08mm pitch 3 position, Ferrite: None, N/A, GT Cord # C0751, Pin Out: Marked Terminal Block (+V), Blades/Input Cord: Not Applicable, Approvals: IRAM; WEEE; VCCI; Ukraine; EAC; CB 62368; S-Mark 60950; CE; FCC; IP54; Salt Mist; Vibration Shock Bump; Saudi; South Africa; cETLus; AS/NZS; RCM; SGS (Brazil) 13.2V only; CU Kazakhstan; NOM; CCC; South Africa; Malaysia; CB 60950;</p>
	<p>Model No. GTD93035L6013.2-F</p>
	<p>Part No./Ordering No. GTD93035L6013.2-F(R) Rev H1</p>

TO ADDRESS SYSTEM-LEVEL EMI CONCERNS, FERRITE CHOKES/BEADS MAY BE ADDED/REVISED UPON REQUEST. A SAMPLE KIT OF GLOBTEK'S STANDARD FERRITES IS AVAILABLE UNDER GLOBTEK P/N: EMI-MITIGATION-KIT1

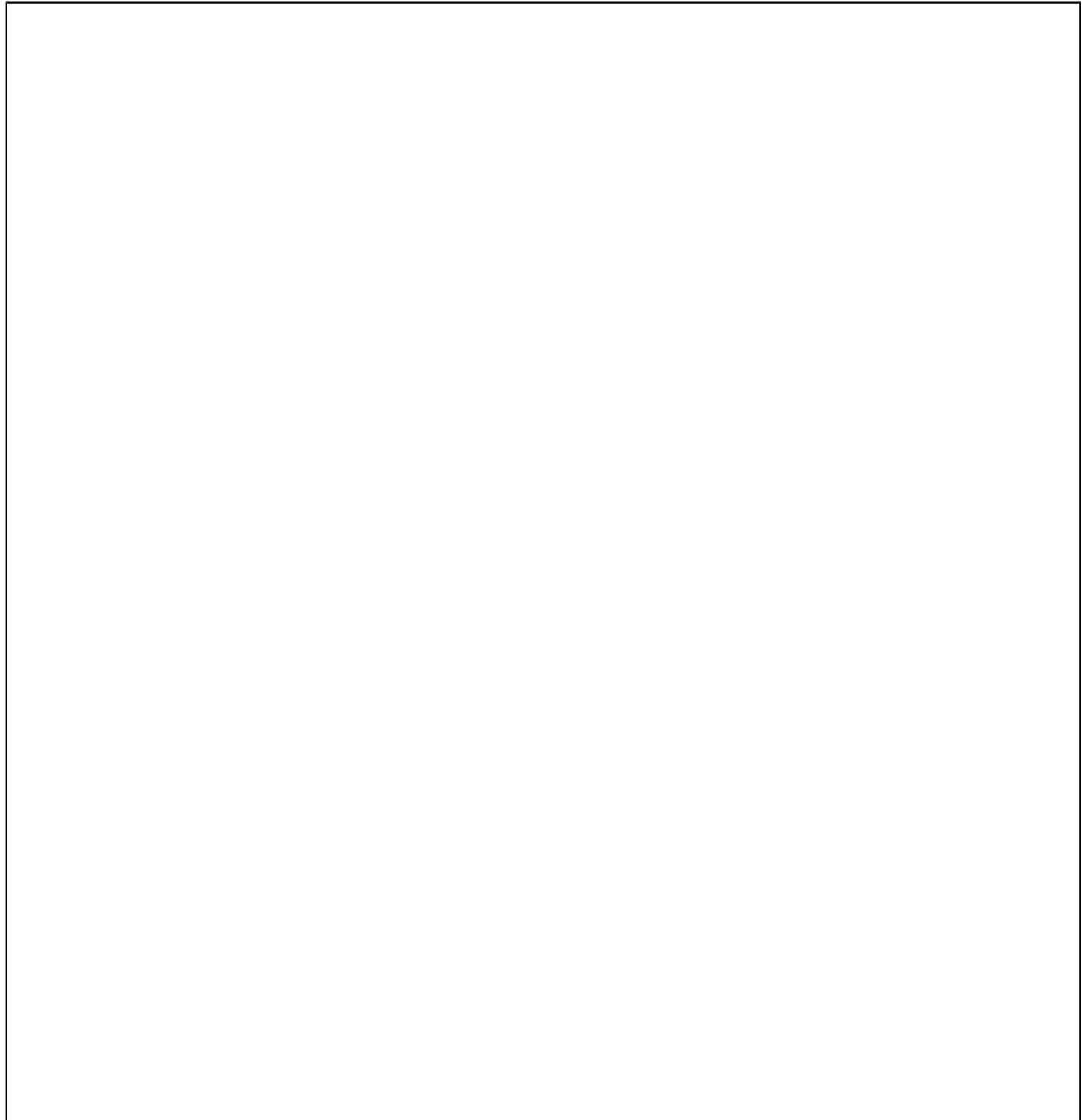
FOR ADDITIONAL INFORMATION, PLEASE READ OUR WHITE PAPER AT:

<https://en.globtek.com/technical-articles/ferrite-kit-radiated-emi-suppression-kit-for-globtek-power-supplies-cable-assemblies>

<p>GlobTek, Inc. www.globtek.com 186 Veterans Drive, Northvale, NJ 07647 Tel. (201) 784-1000 Fax (201) 784-0111</p>	<p>Drawing Title: GTD93035L6013.2-F, ITE Power Supply, Efficiency Level: N/A, Case Color/Style: Metal, Desktop/External, DC-DC, Input Rating: 9-60 VDC, Terminal Block 3 Conductor , Output Rating: 60W, 13.2V@4.54A, Output Configuration: N/A mm, N/A/3 Cond, PCB Mounted, 5.08mm pitch 3 position, Ferrite: None, N/A, GT Cord # C0751, Pin Out: Marked Terminal Block (+V), Blades/Input Cord: Not Applicable, Approvals: IRAM; WEEE; VCCI; Ukraine; EAC; CB 62368; S-Mark 60950; CE; FCC; IP54; Salt Mist; Vibration Shock Bump; Saudi; South Africa; cETLus; AS/NZS; RCM; SGS (Brazil) 13.2V only; CU Kazakhstan; NOM; CCC; South Africa; Malaysia; CB 60950;</p> <p>Model No. GTD93035L6013.2-F</p> <p>Part No./Ordering No. GTD93035L6013.2-F(R)</p>	<p>Rev H1</p>
--	--	---------------



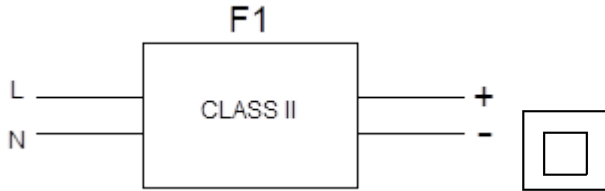
<p>GlobTek, Inc. www.globtek.com 186 Veterans Drive, Northvale, NJ 07647 Tel. (201) 784-1000 Fax (201) 784-0111</p>	<p>Drawing Title: GTD93035L6013.2-F, ITE Power Supply, Efficiency Level: N/A, Case Color/Style: Metal, Desktop/External, DC-DC, Input Rating: 9-60 VDC, Terminal Block 3 Conductor , Output Rating: 60W, 13.2V@4.54A, Output Configuration: N/A mm, N/A/3 Cond, PCB Mounted, 5.08mm pitch 3 position, Ferrite: None, N/A, GT Cord # C0751, Pin Out: Marked Terminal Block (+V), Blades/Input Cord: Not Applicable, Approvals: IRAM; WEEE; VCCI; Ukraine; EAC; CB 62368; S-Mark 60950; CE; FCC; IP54; Salt Mist; Vibration Shock Bump; Saudi; South Africa; cETLus; AS/NZS; RCM; SGS (Brazil) 13.2V only; CU Kazakhstan; NOM; CCC; South Africa; Malaysia; CB 60950;</p>
	<p>Model No. GTD93035L6013.2-F</p>
	<p>Part No./Ordering No. GTD93035L6013.2-F(R) Rev H1</p>



<p>GlobTek, Inc. www.globtek.com 186 Veterans Drive, Northvale, NJ 07647 Tel. (201) 784-1000 Fax (201) 784-0111</p>	<p>Drawing Title: GTD93035L6013.2-F, ITE Power Supply, Efficiency Level: N/A, Case Color/Style: Metal, Desktop/External, DC-DC, Input Rating: 9-60 VDC, Terminal Block 3 Conductor , Output Rating: 60W, 13.2V@4.54A, Output Configuration: N/A mm, N/A/3 Cond, PCB Mounted, 5.08mm pitch 3 position, Ferrite: None, N/A, GT Cord # C0751, Pin Out: Marked Terminal Block (+V), Blades/Input Cord: Not Applicable, Approvals: IRAM; WEEE; VCCI; Ukraine; EAC; CB 62368; S-Mark 60950; CE; FCC; IP54; Salt Mist; Vibration Shock Bump; Saudi; South Africa; cETLus; AS/NZS; RCM; SGS (Brazil) 13.2V only; CU Kazakhstan; NOM; CCC; South Africa; Malaysia; CB 60950;</p> <p>Model No. GTD93035L6013.2-F</p> <p>Part No./Ordering No. GTD93035L6013.2-F(R) Rev H1</p>
--	--

INPUT CONFIGURATION

(F1) Class II / Double Insulated



[Alternate grounding configurations](#) available upon request.

3 Position Terminal Block

Shanghai Elinker P/N: LG103-5.0

GlobTek, Inc. www.globtek.com 186 Veterans Drive, Northvale, NJ 07647 Tel. (201) 784-1000 Fax (201) 784-0111	Drawing Title: GTD93035L6013.2-F, ITE Power Supply, Efficiency Level: N/A, Case Color/Style: Metal, Desktop/External, DC-DC, Input Rating: 9-60 VDC, Terminal Block 3 Conductor , Output Rating: 60W, 13.2V@4.54A, Output Configuration: N/A mm, N/A/3 Cond, PCB Mounted, 5.08mm pitch 3 position, Ferrite: None, N/A, GT Cord # C0751, Pin Out: Marked Terminal Block (+V), Blades/Input Cord: Not Applicable, Approvals: IRAM; WEEE; VCCI; Ukraine; EAC; CB 62368; S-Mark 60950; CE; FCC; IP54; Salt Mist; Vibration Shock Bump; Saudi; South Africa; cETLus; AS/NZS; RCM; SGS (Brazil) 13.2V only; CU Kazakhstan; NOM; CCC; South Africa; Malaysia; CB 60950;
	Model No. GTD93035L6013.2-F Part No./Ordering No. GTD93035L6013.2-F(R)

Rev H1

OUTPUT CORD AND CONNECTOR: TB3/C0751

ACTUAL CONNECTORS, OVERMOLDS, FERRITES MAY VARY SLIGHTLY FROM THE PICTURE BELOW

CABLE TYPE	PCB Mounted
CABLE LENGTH (mm)	N/A
CABLE TOLERANCE (mm)	N/A
WIRE GAUGE (AWG)	N/A
CONDUCTORS	3
HANK DIMENSION (mm)	N/A
CABLE / CONNECTOR OVERMOLD COLOR	N/A
FERRITE TYPE / DIMENSION	None
FERRITE # OF TURNS (Definition)	N/A
FERRITE DIMENSION FROM STRAIN RELIEF	N/A
FERRITE DIMENSION FROM PLUG	N/A
PLUG TYPE	5.08mm pitch 3 position
OUTPUT CONNECTOR SEX	
OVERMOLDED	
OVER MOLD ORIENTATION	N/A
CONNECTOR PIN OUT:	Marked Terminal Block (+V)
ADDITIONAL REQUIREMENTS	

ADDITIONAL OUTPUT PLUG OPTIONS ARE AVAILABLE AT <https://www.globtek.com/connectors/>
STANDARD PLUGS AND CONNECTORS CAN BE SEEN ONLINE AT <https://www.globtek.com/connectors/>

<p>GlobTek, Inc. www.globtek.com 186 Veterans Drive, Northvale, NJ 07647 Tel. (201) 784-1000 Fax (201) 784-0111</p>	<p>Drawing Title: GTD93035L6013.2-F, ITE Power Supply, Efficiency Level: N/A, Case Color/Style: Metal, Desktop/External, DC-DC, Input Rating: 9-60 VDC, Terminal Block 3 Conductor , Output Rating: 60W, 13.2V@4.54A, Output Configuration: N/A mm, N/A/3 Cond, PCB Mounted, 5.08mm pitch 3 position, Ferrite: None, N/A, GT Cord # C0751, Pin Out: Marked Terminal Block (+V), Blades/Input Cord: Not Applicable, Approvals: IRAM; WEEE; VCCI; Ukraine; EAC; CB 62368; S-Mark 60950; CE; FCC; IP54; Salt Mist; Vibration Shock Bump; Saudi; South Africa; cETLus; AS/NZS; RCM; SGS (Brazil) 13.2V only; CU Kazakhstan; NOM; CCC; South Africa; Malaysia; CB 60950;</p> <p>Model No. GTD93035L6013.2-F</p> <p>Part No./Ordering No. GTD93035L6013.2-F(R) Rev H1</p>
--	--

OUTPUT CONNECTOR HOOK UP

TO ADDRESS SYSTEM-LEVEL EMI CONCERNS, FERRITE CHOKES/BEADS MAY BE ADDED/REVISED UPON REQUEST. A SAMPLE KIT OF GLOBTEK'S STANDARD FERRITES IS AVAILABLE UNDER GLOBTEK P/N: EMI-MITIGATION-KIT1

FOR ADDITIONAL INFORMATION, PLEASE READ OUR WHITE PAPER AT:

<https://en.globtek.com/technical-articles/ferrite-kit-radiated-emi-suppression-kit-for-globtek-power-supplies-cable-assemblies>

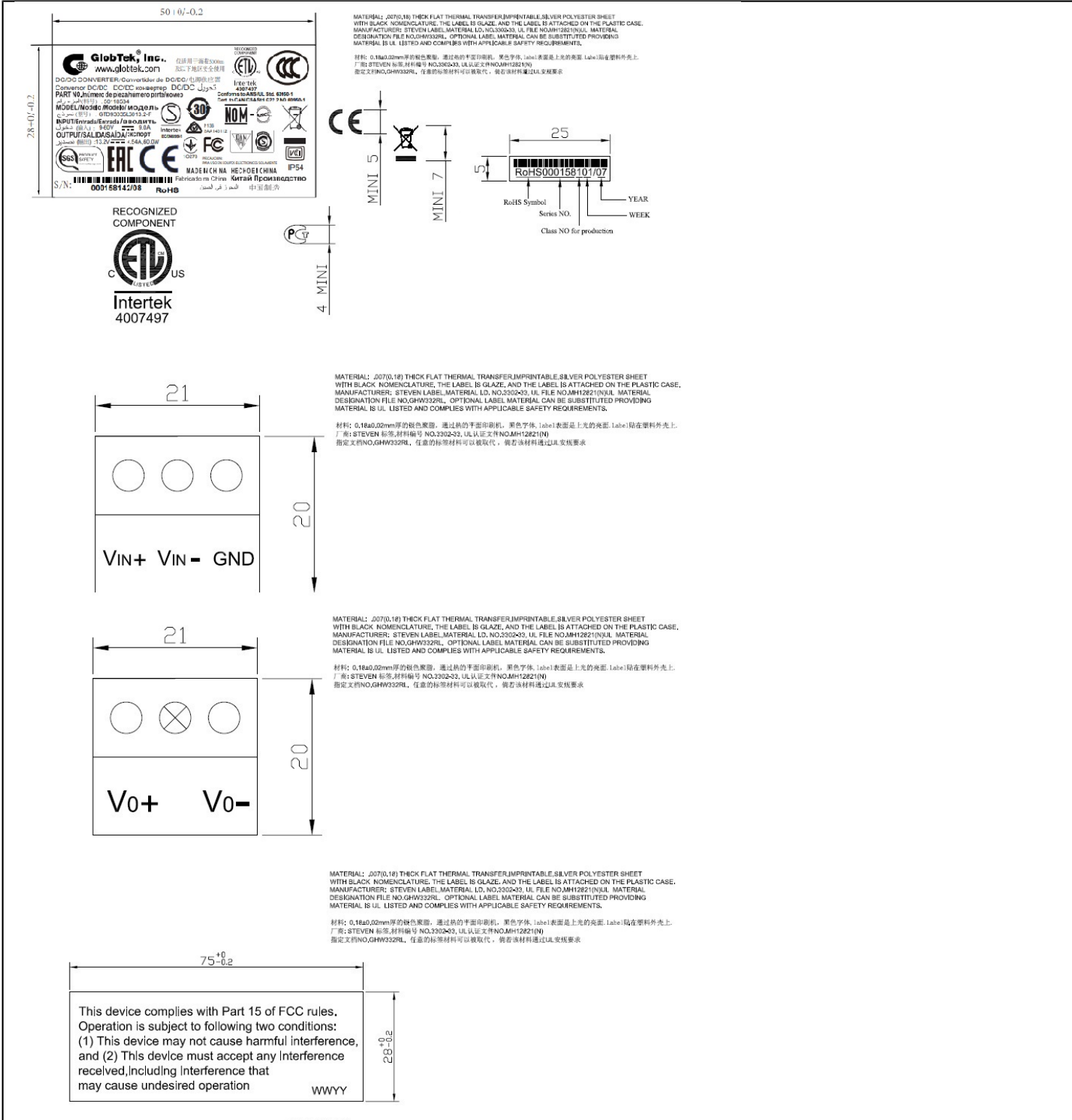
GlobTek, Inc. www.globtek.com 186 Veterans Drive, Northvale, NJ 07647 Tel. (201) 784-1000 Fax (201) 784-0111	Drawing Title: GTD93035L6013.2-F, ITE Power Supply, Efficiency Level: N/A, Case Color/Style: Metal, Desktop/External, DC-DC, Input Rating: 9-60 VDC, Terminal Block 3 Conductor , Output Rating: 60W, 13.2V@4.54A, Output Configuration: N/A mm, N/A/3 Cond, PCB Mounted, 5.08mm pitch 3 position, Ferrite: None, N/A, GT Cord # C0751, Pin Out: Marked Terminal Block (+V), Blades/Input Cord: Not Applicable, Approvals: IRAM; WEEE; VCCI; Ukraine; EAC; CB 62368; S-Mark 60950; CE; FCC; IP54; Salt Mist; Vibration Shock Bump; Saudi; South Africa; cETLus; AS/NZS; RCM; SGS (Brazil) 13.2V only; CU Kazakhstan; NOM; CCC; South Africa; Malaysia; CB 60950;	
	Model No. GTD93035L6013.2-F	
	Part No./Ordering No. GTD93035L6013.2-F(R)	Rev H1

LABEL:L-1313	
LABEL P/N:	GTD93035L6013.2-F(R)
MATERIAL:	Flat Thermal Transfer, Imprintable, Polyester Label and/or Pad Printed and/or Molded, and/or Laser Engraved in the case
BACKGROUND COLOR:	Black if housing is Black, White or Silver if housing is White or Gray.
TEXT COLOR:	White or Silver if label is Black Background for Black housing. Black if label is White or Silver background and Housing is White or Gray.
LABEL WIDTH (mm):	49.0
LABEL HEIGHT (mm):	28.0
SPECIAL BARCODE LABEL MATERIAL:	

<p>GlobTek, Inc. www.globtek.com 186 Veterans Drive, Northvale, NJ 07647 Tel. (201) 784-1000 Fax (201) 784-0111</p>	<p>Drawing Title: GTD93035L6013.2-F, ITE Power Supply, Efficiency Level: N/A, Case Color/Style: Metal, Desktop/External, DC-DC, Input Rating: 9-60 VDC, Terminal Block 3 Conductor , Output Rating: 60W, 13.2V@4.54A, Output Configuration: N/A mm, N/A/3 Cond, PCB Mounted, 5.08mm pitch 3 position, Ferrite: None, N/A, GT Cord # C0751, Pin Out: Marked Terminal Block (+V), Blades/Input Cord: Not Applicable, Approvals: IRAM; WEEE; VCCI; Ukraine; EAC; CB 62368; S-Mark 60950; CE; FCC; IP54; Salt Mist; Vibration Shock Bump; Saudi; South Africa; cETLus; AS/NZS; RCM; SGS (Brazil) 13.2V only; CU Kazakhstan; NOM; CCC; South Africa; Malaysia; CB 60950;</p>
	<p>Model No. GTD93035L6013.2-F</p>
	<p>Part No./Ordering No. GTD93035L6013.2-F(R) Rev H1</p>

Below is the minimum information which will appear on the label. NOTE: in the logo area additional/actual positioning of symbols and text is subjected to change as per agency updates/requirements or additional model approvals become available.

<p>GlobTek, Inc. www.globtek.com 186 Veterans Drive, Northvale, NJ 07647 Tel. (201) 784-1000 Fax (201) 784-0111</p>	<p>Drawing Title: GTD93035L6013.2-F, ITE Power Supply, Efficiency Level: N/A, Case Color/Style: Metal, Desktop/External, DC-DC, Input Rating: 9-60 VDC, Terminal Block 3 Conductor , Output Rating: 60W, 13.2V@4.54A, Output Configuration: N/A mm, N/A/3 Cond, PCB Mounted, 5.08mm pitch 3 position, Ferrite: None, N/A, GT Cord # C0751, Pin Out: Marked Terminal Block (+V), Blades/Input Cord: Not Applicable, Approvals: IRAM; WEEE; VCCI; Ukraine; EAC; CB 62368; S-Mark 60950; CE; FCC; IP54; Salt Mist; Vibration Shock Bump; Saudi; South Africa; cETLus; AS/NZS; RCM; SGS (Brazil) 13.2V only; CU Kazakhstan; NOM; CCC; South Africa; Malaysia; CB 60950;</p> <p>Model No. GTD93035L6013.2-F</p> <p>Part No./Ordering No. GTD93035L6013.2-F(R)</p>	<p>Rev H1</p>
---	--	---------------



GlobTek, Inc. www.globtek.com 186 Veterans Drive, Northvale, NJ 07647 Tel. (201) 784-1000 Fax (201) 784-0111	Drawing Title: GTD93035L6013.2-F, ITE Power Supply, Efficiency Level: N/A, Case Color/Style: Metal, Desktop/External, DC-DC, Input Rating: 9-60 VDC, Terminal Block 3 Conductor , Output Rating: 60W, 13.2V@4.54A, Output Configuration: N/A mm, N/A/3 Cond, PCB Mounted, 5.08mm pitch 3 position, Ferrite: None, N/A, GT Cord # C0751, Pin Out: Marked Terminal Block (+V), Blades/Input Cord: Not Applicable, Approvals: IRAM; WEEE; VCCI; Ukraine; EAC; CB 62368; S-Mark 60950; CE; FCC; IP54; Salt Mist; Vibration Shock Bump; Saudi; South Africa; cETLus; AS/NZS; RCM; SGS (Brazil) 13.2V only; CU Kazakhstan; NOM; CCC; South Africa; Malaysia; CB 60950;
	Model No. GTD93035L6013.2-F Part No./Ordering No. GTD93035L6013.2-F(R)
	Rev H1

WW--WEEK
YY--YEAR

A=ITE Power Supply
B=P/N: (料号) GTD93035L6013.2-F(R)
C=Model (型号) GTD93035L6013.2-F
D=Input (输入)9-60 VDC, 9.0 A
E=Output (输出)13.2 V \equiv 4.54 A, 60.0W

AGENCY ONLINE DOCUMENTS	http://www.globtek.info/certs/GTD93035/
CE EC-Declaration for Medical	Contact GlobTek for more information
CE EC-Declaration for Industrial/Commercial/ITE	http://globtek.force.com/models/ec_declaration_product?id=01ta0000003eOBO&i=4
CE EC-Declaration for Household	Contact GlobTek for more information
Morocco SDoC Declaration	https://globtek.secure.force.com/models/Morocco_SDoC_Declaration?id=a00a000000C2WkZEAV
RoHS/RoHS3 Declaration	https://www.globtek.com/pdf/rohs_cert/01ta0000003eOBOAA2
REACH Declaration	https://www.globtek.com/pdf/iso_certificates/REACH.pdf
Conflict Minerals Declaration	https://www.globtek.com/pdf/conflict-minerals.pdf

IPXY rating is based on 3rd party testing and customers should check suitability and test system level IPXY rating before ordering.

Regulatory Certifications/Label Markings

LATEST PRODUCT/MODEL CERTIFICATIONS: <http://en.globtek.com/datasheet/id/a00a000000C2WkZ>
AGENCY ONLINE DOCUMENTS: <http://www.globtek.info/certs/GTD93035/>



(F1) Class II / Double Insulated

TBA Marked Terminal Block (+V)

GlobTek, Inc. www.globtek.com 186 Veterans Drive, Northvale, NJ 07647 Tel. (201) 784-1000 Fax (201) 784-0111	Drawing Title: GTD93035L6013.2-F, ITE Power Supply, Efficiency Level: N/A, Case Color/Style: Metal, Desktop/External, DC-DC, Input Rating: 9-60 VDC, Terminal Block 3 Conductor , Output Rating: 60W, 13.2V@4.54A, Output Configuration: N/A mm, N/A/3 Cond, PCB Mounted, 5.08mm pitch 3 position, Ferrite: None, N/A, GT Cord # C0751, Pin Out: Marked Terminal Block (+V), Blades/Input Cord: Not Applicable, Approvals: IRAM; WEEE; VCCI; Ukraine; EAC; CB 62368; S-Mark 60950; CE; FCC; IP54; Salt Mist; Vibration Shock Bump; Saudi; South Africa; cETLus; AS/NZS; RCM; SGS (Brazil) 13.2V only; CU Kazakhstan; NOM; CCC; South Africa; Malaysia; CB 60950;	
	Model No. GTD93035L6013.2-F	
	Part No./Ordering No. GTD93035L6013.2-F(R)	Rev H1

PACKAGING

Packing Spec P/N:

Box Qty:	12
Gift Box Size (mm):	117*74*204
Gift Box Color:	White
Master Carton Size (mm):	430 x 370 x 190
Master Carton Cubic Volume (m³):	0.03
Master GW (Kg):	15.6 kg
BLADES INCLUDED:	:
BLADE/CORD INSTALLED:	:
USER MANUAL*:	
USER MANUAL WEB LINK:	

* This specification sheet is considered the user manual for all applications. It is expected that the buyer of this product will use it to formulate their own user manual for their end product and a user manual specifically for the power adapter is not usually required. If a user manual is not specifically listed above then none will be provided with this unit.

<p>GlobTek, Inc. www.globtek.com 186 Veterans Drive, Northvale, NJ 07647 Tel. (201) 784-1000 Fax (201) 784-0111</p>	<p>Drawing Title: GTD93035L6013.2-F, ITE Power Supply, Efficiency Level: N/A, Case Color/Style: Metal, Desktop/External, DC-DC, Input Rating: 9-60 VDC, Terminal Block 3 Conductor , Output Rating: 60W, 13.2V@4.54A, Output Configuration: N/A mm, N/A/3 Cond, PCB Mounted, 5.08mm pitch 3 position, Ferrite: None, N/A, GT Cord # C0751, Pin Out: Marked Terminal Block (+V), Blades/Input Cord: Not Applicable, Approvals: IRAM; WEEE; VCCI; Ukraine; EAC; CB 62368; S-Mark 60950; CE; FCC; IP54; Salt Mist; Vibration Shock Bump; Saudi; South Africa; cETLus; AS/NZS; RCM; SGS (Brazil) 13.2V only; CU Kazakhstan; NOM; CCC; South Africa; Malaysia; CB 60950;</p>	
	<p>Model No. GTD93035L6013.2-F</p>	
	<p>Part No./Ordering No. GTD93035L6013.2-F(R)</p>	<p>Rev H1</p>

INSTRUCTIONS TO THE OEM SYSTEMS ENGINEER

It is the responsibility of the OEM systems engineer to provide the end system user instructions and warnings for the use of this product in the end system.

If an input cord is required for this product, AC Mains voltage should be provided to the power supply by a power supply cord approved to the national standards of the country in which it will be used.

This power supply is not designed to be repaired. No serviceable parts inside. A blown internal fuse is an indication of catastrophic failure of circuit component(s). If a Failure Analysis is required for a failed power supply/battery charger, please return the damaged unit to Globtek for an accurate determination of the root cause of the failure.

EMC Compliance of the complete OEM product, including the GlobTek power supply/battery charger needs to be verified by the OEM systems engineer.

INSTRUCTION SHEET

N/A