

GlobTek, Inc. www.globtek.com 186 Veterans Drive, Northvale, NJ 07647 Tel. (201) 784-1000 Fax (201) 784-0111	Drawing Title: GTM86100-1005-W2-USB, ITE / Medical Power Supply, Efficiency Level: VI, Case Color/Style: GlobTek Black, Wall Plug-in, AC/DC Switching Adapter with USB Power Supply AC Adaptor, Input Rating: 100-240V~, 50-60 Hz, N. America NEMA 1-15 Fixed , Output Rating: 10W, 5V@2A, Output Configuration: N/A mm, N/A/4 Cond, N/A, Type "A" USB "JACK", integral to power supply enclosure, Ferrite: None, N/A, GT Cord # C0132, Pin Out: Pin 1: (+), Pin 2 & 3: N/C, Pin 4: (-), Blades/Input Cord: Fixed Blades North American 1-15P, Approvals: CB 60335; CB 62368; PSE; ETL 62368; cETLus 60601-1 3rd; China RoHS; Double Insulation; Level VI; RoHS; VCCI; WEEE;	
	Model No. GTM86100-1005-W2-USB	
	Part No./Ordering No. WR9HA2000USBFMR6B	Rev A1

REVISION HISTORY

REV	DESCRIPTION	SUB	DATE	APPROVED
A1	Update approval: adding ETL		12/05/2017	QA
A	Initial Release		02/20/2017	QA

In Addition to GlobTek Inc.'s renewed ISO9001:2015 - Quality Management System Certification, GlobTek Inc. is now certified to:

ISO13485:2016 - Medical Devices Quality Management System Certification

ISO14001:2015 - Environmental Management System Certification

ISO Certificates are available online at <https://www.globtek.com/iso-certificates/>

Customer Approval of Specification:

Please approve, sign and send back to GlobTek so we can complete order processing.

A delay in receipt of this form will delay delivery schedule.

Company Name:

Customer P/N:

Quote Number:

Date:

Authorized Representative Name:

Authorized Representative Signature:

The acceptance of this specification and use of the product described in this document indicates the acceptance and binding of the customer to Globtek terms and conditions, which supersede all other agreements, terms, and conditions (<https://en.globtek.com/terms-and-conditions/>).

Footnote:

GlobTek Inc. will not be liable for the safety and performance of these power supplies if unauthorized access and repair occurs. End user should consult applicable UL, CSA or EN standards for proper installation instruction.

Limitation of Use:

GlobTek products are intended for use with commercial, medical, and/or industrial equipment only. GlobTek product are not authorized for use as mission critical components in life support hazardous environment, nuclear or aircraft applications without prior written approval from the CEO of GlobTek Inc.

Contents of this document are subject to change without prior notice.

GlobTek, Inc. www.globtek.com 186 Veterans Drive, Northvale, NJ 07647 Tel. (201) 784-1000 Fax (201) 784-0111	Drawing Title: GTM86100-1005-W2-USB, ITE / Medical Power Supply, Efficiency Level: VI, Case Color/Style: GlobTek Black, Wall Plug-in, AC/DC Switching Adapter with USB Power Supply AC Adaptor, Input Rating: 100-240V~, 50-60 Hz, N. America NEMA 1-15 Fixed , Output Rating: 10W, 5V@2A, Output Configuration: N/A mm, N/A/4 Cond, N/A, Type "A" USB "JACK", integral to power supply enclosure, Ferrite: None, N/A, GT Cord # C0132, Pin Out: Pin 1: (+), Pin 2 & 3: N/C, Pin 4: (-), Blades/Input Cord: Fixed Blades North American 1-15P, Approvals: CB 60335; CB 62368; PSE; ETL 62368; cETLus 60601-1 3rd; China RoHS; Double Insulation; Level VI; RoHS; VCCI; WEEE;	
	Model No. GTM86100-1005-W2-USB	
	Part No./Ordering No. WR9HA2000USBFMR6B	Rev A1

POWER SUPPLY INFORMATION

TYPE: Wall Plug-in
TECHNOLOGY: AC/DC Switching Adapter with USB Power Supply AC Adaptor
CASE COLOR: GlobTek Black
NAMEPLATE RATED INPUT: 100-240V~, 50-60 Hz, 0.3A
INPUT CONFIG: N. America NEMA 1-15 Fixed
WATTS: 10.0
VOLTS OUT: 5
CURRENT OUT (Amps): 2
BLADE/CORD INCLUDED: FBNA2
BLADE/CORD INSTALLED: FBNA2
INGRESS PROTECTION:
GROUNDING CONFIGURATION: (F1) Class II / Double Insulated
EFFICIENCY LEVEL: VI
OUTPUT CONFIGURATION: N/A mm, N/A/4 Cond, N/A, Type "A" USB "JACK", integral to power supply enclosure, Ferrite: None, N/A, GT Cord # C0132
CONNECTOR PIN OUT: Pin 1: (+), Pin 2 & 3: N/C, Pin 4: (-)
LABEL SPECS: Standard GT,L-1186
SPECIAL BARCODE LABEL
MATERIAL:
PACK SPEC: Standard WPI, Individually Box, User manual DT
USER MANUAL: 809-DESKTOPUSERMANUAL on A4 paper

Notes/Modifications/Customizations (notes in this section supersede the values shown in the standard spec):

DIMENSIONS ARE IN MM UNLESS SPECIFIED OTHERWISE.

PROPRIETARY INFORMATION

GlobTek, Inc. www.globtek.com 186 Veterans Drive, Northvale, NJ 07647 Tel. (201) 784-1000 Fax (201) 784-0111	Drawing Title: GTM86100-1005-W2-USB, ITE / Medical Power Supply, Efficiency Level: VI, Case Color/Style: GlobTek Black, Wall Plug-in, AC/DC Switching Adapter with USB Power Supply AC Adaptor, Input Rating: 100-240V~, 50-60 Hz, N. America NEMA 1-15 Fixed , Output Rating: 10W, 5V@2A, Output Configuration: N/A mm, N/A/4 Cond, N/A, Type "A" USB "JACK", integral to power supply enclosure, Ferrite: None, N/A, GT Cord # C0132, Pin Out: Pin 1: (+), Pin 2 & 3: N/C, Pin 4: (-), Blades/Input Cord: Fixed Blades North American 1-15P, Approvals: CB 60335; CB 62368; PSE; ETL 62368; cETLus 60601-1 3rd; China RoHS; Double Insulation; Level VI; RoHS; VCCI; WEEE;	
	Model No. GTM86100-1005-W2-USB	
	Part No./Ordering No. WR9HA2000USBFMR6B	Rev A1

ELECTRICAL SPECIFICATIONS

01. Input Voltage: Specified 90-264 Vac, Nameplate rated: 100-240Vac
02. Input Frequency: Specified 47-63 Hz, Nameplate rated 50/60Hz
03. Output Regulation: +/- 5% measured at the end of a 1 meter USB cordset employing #20 Gauge conductors
04. Line Voltage Regulation: +/- 1% typical measured at the end of a 1 meter USB cordset employing #20 Gauge conductors
05. Output Ripple (Vp-p): 100 mVpp max, measured at the end of a 1 meter USB cordset employing #20 Gauge conductors. Measured at 20 MHz bandwidth with 0.1 uf ceramic capacitor in parallel with a low impedance 47 uf electrolytic capacitor connected at the end of the output connector.
06. Hold-up Time: 5 mS minimum
07. Inrush Current: 30A maximum @ 230Vac input
08. Energy Efficiency: Complies to Efficiency Level VI and ErP European Commission's Ecodesign Directive (2005/32/EC) / CoC Tier 2 Compliant

B) PROTECTION

01. Over-current protection: 4A maximum with auto-recovery function
02. Over-voltage protection: 10VDC maximum with zener clamp
03. Short-circuit protection: The adapter shall not be damaged by short the DC output to Ground.

C) SAFETY

01. Dielectric Withstand Voltage: Primary To Secondary: 4000VAC or 5656VDC for 3 seconds
02. Leakage Current: 50uA maximum, at nominal 240Vac input voltage
03. ESD Immunity per EN61000-4-2, ±8 kV contact, ±15 kV air, Perf Criteria A Standard.

D) EMC

01. Emissions, per EN 55032, EN 61000-6-3, EN 61000-6-4
 - Conducted Emissions: Class B, FCC Part 15, Class B
 - Radiated Emissions: Class B, FCC Part 15, Class B
02. Line Frequency Harmonics EN61000-3-2, Class A
03. Voltage Fluctuations/Flicker EN61000-3-3
04. Immunity, per EN 55024, EN 61000-6-1, EN 61000-6-2
 - Static Discharge Immunity EN61000-4-2, 8kV Contact Discharge, 15kV air discharge
 - Radiated RF Immunity EN61000-4-3, 3V/m 80-2700MHz, 80% 1KHz AM.
 - EFT/Burst Immunity EN61000-4-4, 2kV/100kHz.
 - Line Surge Immunity EN61000-4-5, 1kV differential, 2kV common-mode
 - Conducted RF Immunity EN61000-4-6, 3Vrms, 80% 1KHz AM
 - Power Frequency Magnetic Field Immunity EN61000-4-8, NA
 - Voltage Dip Immunity EN61000-4-11, Criteria

E) OTHER:

01. MTBF: 300,000 Hours @ 25°C ambient temperature
02. Operating Temperature: 0°C to 50°C ambient temperature
03. Operating Humidity: 20 ~ 85 % RH. non-condensing
05. Storage Temperature: -20°C to 60°C
06. Storage Humidity: 5 ~ 95 % RH. non-condensing
07. Cooling: Natural convection cooling
08. RoHS 2: Complies with EU 2011/65/EU China SJ/T 11364-2014

F) ENCLOSURE

01. Housing: High impact plastic, 94V0 polycarbonate, non-vented

PROPRIETARY INFORMATION

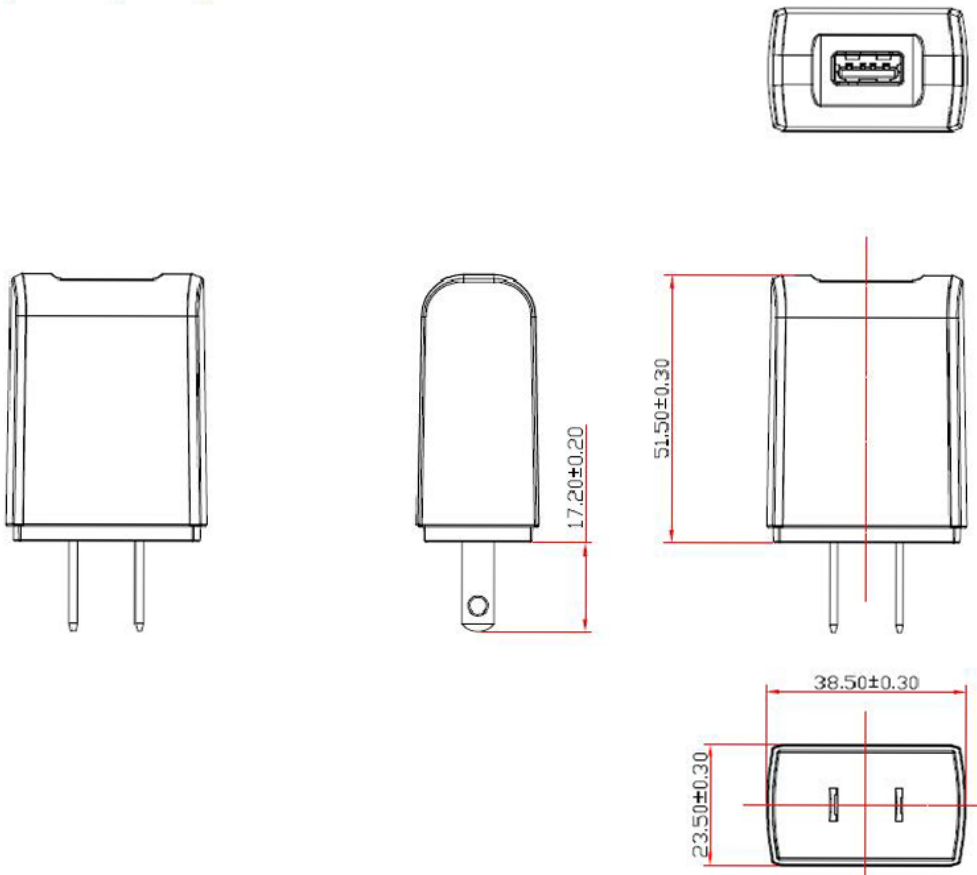
PROPRIETARY OF GLOBTEK, INC. ANY REPRODUCTION, DISCLOSURE OR USE OF THIS DRAWING, IN WHOLE OR IN PART, IS HEREBY PROHIBITED EXCEPT AS SPECIFIED IN WRITING BY GLOBTEK, INC. © GlobTek, Inc. 2017 - 2019

GlobTek, Inc. www.globtek.com 186 Veterans Drive, Northvale, NJ 07647 Tel. (201) 784-1000 Fax (201) 784-0111	Drawing Title: GTM86100-1005-W2-USB, ITE / Medical Power Supply, Efficiency Level: VI, Case Color/Style: GlobTek Black, Wall Plug-in, AC/DC Switching Adapter with USB Power Supply AC Adaptor, Input Rating: 100-240V~, 50-60 Hz, N. America NEMA 1-15 Fixed , Output Rating: 10W, 5V@2A, Output Configuration: N/A mm, N/A/4 Cond, N/A, Type "A" USB "JACK", integral to power supply enclosure, Ferrite: None, N/A, GT Cord # C0132, Pin Out: Pin 1: (+), Pin 2 & 3: N/C, Pin 4: (-), Blades/Input Cord: Fixed Blades North American 1-15P, Approvals: CB 60335; CB 62368; PSE; ETL 62368; cETLus 60601-1 3rd; China RoHS; Double Insulation; Level VI; RoHS; VCCI; WEEE;	
	Model No. GTM86100-1005-W2-USB	
	Part No./Ordering No. WR9HA2000USBFMR6B	Rev A1

02. Markings: Label and/or Pad Printed and/or Molded in the case

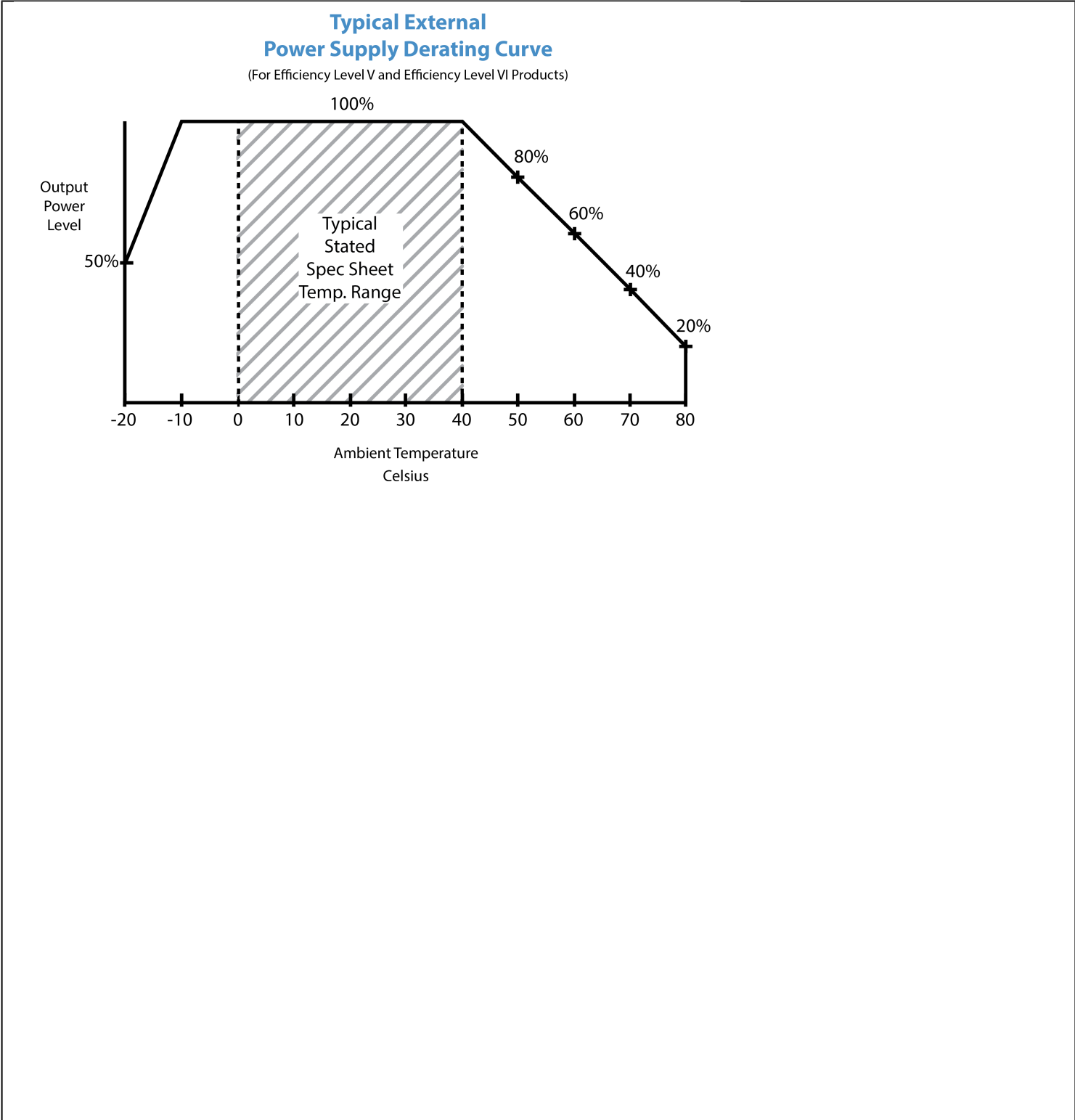
F) OPTIONS:

- 01. Green Power On Indicator LED
- 02. NEMA 1-15P or European Schuko 7-16 AC Plug Configuration
- 03. Increased DC Output Voltage (up to 5.4V) to allow for long output cables
- 04. Special International Safety Approvals
- 05. Housing Color, special markings



DERATING CURVE

GlobTek, Inc. www.globtek.com 186 Veterans Drive, Northvale, NJ 07647 Tel. (201) 784-1000 Fax (201) 784-0111	Drawing Title: GTM86100-1005-W2-USB, ITE / Medical Power Supply, Efficiency Level: VI, Case Color/Style: GlobTek Black, Wall Plug-in, AC/DC Switching Adapter with USB Power Supply AC Adaptor, Input Rating: 100-240V~, 50-60 Hz, N. America NEMA 1-15 Fixed , Output Rating: 10W, 5V@2A, Output Configuration: N/A mm, N/A/4 Cond, N/A, Type "A" USB "JACK", integral to power supply enclosure, Ferrite: None, N/A, GT Cord # C0132, Pin Out: Pin 1: (+), Pin 2 & 3: N/C, Pin 4: (-), Blades/Input Cord: Fixed Blades North American 1-15P, Approvals: CB 60335; CB 62368; PSE; ETL 62368; cETLus 60601-1 3rd; China RoHS; Double Insulation; Level VI; RoHS; VCCI; WEEE;	
	Model No. GTM86100-1005-W2-USB	
	Part No./Ordering No. WR9HA2000USBFMR6B	Rev A1



GlobTek, Inc. www.globtek.com 186 Veterans Drive, Northvale, NJ 07647 Tel. (201) 784-1000 Fax (201) 784-0111	Drawing Title: GTM86100-1005-W2-USB, ITE / Medical Power Supply, Efficiency Level: VI, Case Color/Style: GlobTek Black, Wall Plug-in, AC/DC Switching Adapter with USB Power Supply AC Adaptor, Input Rating: 100-240V~, 50-60 Hz, N. America NEMA 1-15 Fixed , Output Rating: 10W, 5V@2A, Output Configuration: N/A mm, N/A/4 Cond, N/A, Type "A" USB "JACK", integral to power supply enclosure, Ferrite: None, N/A, GT Cord # C0132, Pin Out: Pin 1: (+), Pin 2 & 3: N/C, Pin 4: (-), Blades/Input Cord: Fixed Blades North American 1-15P, Approvals: CB 60335; CB 62368; PSE; ETL 62368; cETLus 60601-1 3rd; China RoHS; Double Insulation; Level VI; RoHS; VCCI; WEEE;	
	Model No. GTM86100-1005-W2-USB	
	Part No./Ordering No. WR9HA2000USBFMR6B	Rev A1

INPUT CONFIGURATION

(F1) Class II / Double Insulated



[Alternate grounding configurations](#) available upon request.

Blades/Cord Included:FBNA2:

Blades/Cord Installed:FBNA2:

NEMA 1-15P, North America Blades, Class II 2 Conductors

All NEMA 1 devices are two-wire non-grounding devices (hot-neutral) rated for 125 V maximum. NEMA 1-15P plugs have two parallel flat blades, 0.25 inches (6.35 mm) wide, 0.06 inches (1.524 mm) thick, 0.625-0.718 inches (15.875–18.256 mm) long, and spaced 0.5 inches (12.7 mm) apart.

GlobTek, Inc. www.globtek.com 186 Veterans Drive, Northvale, NJ 07647 Tel. (201) 784-1000 Fax (201) 784-0111	Drawing Title: GTM86100-1005-W2-USB, ITE / Medical Power Supply, Efficiency Level: VI, Case Color/Style: GlobTek Black, Wall Plug-in, AC/DC Switching Adapter with USB Power Supply AC Adaptor, Input Rating: 100-240V~, 50-60 Hz, N. America NEMA 1-15 Fixed , Output Rating: 10W, 5V@2A, Output Configuration: N/A mm, N/A/4 Cond, N/A, Type "A" USB "JACK", integral to power supply enclosure, Ferrite: None, N/A, GT Cord # C0132, Pin Out: Pin 1: (+), Pin 2 & 3: N/C, Pin 4: (-), Blades/Input Cord: Fixed Blades North American 1-15P, Approvals: CB 60335; CB 62368; PSE; ETL 62368; cETLus 60601-1 3rd; China RoHS; Double Insulation; Level VI; RoHS; VCCI; WEEE;	
	Model No. GTM86100-1005-W2-USB	
	Part No./Ordering No. WR9HA2000USBFMR6B	Rev A1

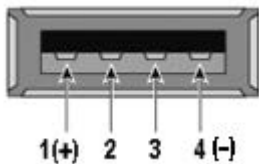
OUTPUT CORD AND CONNECTOR: USBMT/C0132

ACTUAL CONNECTORS, OVERMOLDS, FERRITES MAY VARY SLIGHTLY FROM THE PICTURE BELOW

CABLE TYPE	N/A
CABLE LENGTH (mm)	N/A
CABLE TOLERANCE (mm)	N/A
WIRE GAUGE (AWG)	N/A
CONDUCTORS	4
HANK DIMENSION (mm)	N/A
CABLE / CONNECTOR OVERMOLD COLOR	N/A
FERRITE TYPE / DIMENSION	None
FERRITE # OF TURNS (Definition)	N/A
FERRITE DIMENSION FROM STRAIN RELIEF	N/A
FERRITE DIMENSION FROM PLUG	N/A
PLUG TYPE	Type "A" USB "JACK", integral to power supply enclosure
OUTPUT CONNECTOR SEX	
OVERMOLDED	
OVER MOLD ORIENTATION	PCB Mount Connector
CONNECTOR PIN OUT:	Pin 1: (+), Pin 2 & 3: N/C, Pin 4: (-)

ADDITIONAL REQUIREMENTS

Front View



ADDITIONAL OUTPUT PLUG OPTIONS ARE AVAILABLE AT <https://www.globtek.com/connectors/>
STANDARD PLUGS AND CONNECTORS CAN BE SEEN ONLINE AT <https://www.globtek.com/connectors/>

GlobTek, Inc. www.globtek.com 186 Veterans Drive, Northvale, NJ 07647 Tel. (201) 784-1000 Fax (201) 784-0111	Drawing Title: GTM86100-1005-W2-USB, ITE / Medical Power Supply, Efficiency Level: VI, Case Color/Style: GlobTek Black, Wall Plug-in, AC/DC Switching Adapter with USB Power Supply AC Adaptor, Input Rating: 100-240V~, 50-60 Hz, N. America NEMA 1-15 Fixed , Output Rating: 10W, 5V@2A, Output Configuration: N/A mm, N/A/4 Cond, N/A, Type "A" USB "JACK", integral to power supply enclosure, Ferrite: None, N/A, GT Cord # C0132, Pin Out: Pin 1: (+), Pin 2 & 3: N/C, Pin 4: (-), Blades/Input Cord: Fixed Blades North American 1-15P, Approvals: CB 60335; CB 62368; PSE; ETL 62368; cETLus 60601-1 3rd; China RoHS; Double Insulation; Level VI; RoHS; VCCI; WEEE;	
	Model No. GTM86100-1005-W2-USB	
	Part No./Ordering No. WR9HA2000USBFMR6B	Rev A1

LABEL:L-1186

LABEL P/N: Standard GT

MATERIAL: Flat Thermal Transfer, Imprintable, Polyester Label and/or Pad Printed and/or Molded, and/or Laser Engraved in the case

BACKGROUND COLOR: Black if housing is Black, White or Silver if housing is White or Gray.

TEXT COLOR: White or Silver if label is Black Background for Black housing. Black if label is White or Silver background and Housing is White or Gray

LABEL WIDTH (mm): 37.0

LABEL HEIGHT (mm): 19.0

SPECIAL BARCODE LABEL MATERIAL:

Below is the minimum information which will appear on the label. NOTE: in the logo area additional/actual positioning of symbols and text is subjected to change as per agency updates/requirements or additional model approvals become available.

Regulatory certifications/label markings may be in logo area on the label or molded into the case housing outside the label area.

Information will be shown via label and/or pad printed and/or molded and/or laser engraved in the case. * Date code markings at GlobTek option.



A=ITE / Medical Power Supply
 B=P/N: (料号) WR9HA2000USBFMR6B
 C=Model (型号) GTM86100-1005-W2-USB
 D=Input (输入) 100-240V~, 50-60 Hz, 0.3A
 E=Output (输出) 5 V \equiv 2 A, 10.0W

GlobTek, Inc. www.globtek.com 186 Veterans Drive, Northvale, NJ 07647 Tel. (201) 784-1000 Fax (201) 784-0111	Drawing Title: GTM86100-1005-W2-USB, ITE / Medical Power Supply, Efficiency Level: VI, Case Color/Style: GlobTek Black, Wall Plug-in, AC/DC Switching Adapter with USB Power Supply AC Adaptor, Input Rating: 100-240V~, 50-60 Hz, N. America NEMA 1-15 Fixed , Output Rating: 10W, 5V@2A, Output Configuration: N/A mm, N/A/4 Cond, N/A, Type "A" USB "JACK", integral to power supply enclosure, Ferrite: None, N/A, GT Cord # C0132, Pin Out: Pin 1: (+), Pin 2 & 3: N/C, Pin 4: (-), Blades/Input Cord: Fixed Blades North American 1-15P, Approvals: CB 60335; CB 62368; PSE; ETL 62368; cETLus 60601-1 3rd; China RoHS; Double Insulation; Level VI; RoHS; VCCI; WEEE;	
	Model No. GTM86100-1005-W2-USB	
	Part No./Ordering No. WR9HA2000USBFMR6B	Rev A1

AGENCY ONLINE DOCUMENTS

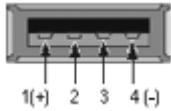
- CE EC-Declaration for Medical http://globtek.force.com/models/ec_declaration?id=a0Oa000000FldbEAB
 - CE EC-Declaration for Industrial/Commercial/ITE http://globtek.force.com/models/ec_declaration?id=a0Oa000000FldbEAB
 - CE EC-Declaration for Household [Contact GlobTek for more information](#)
 - RoHS/RoHS3 Declaration https://www.globtek.com/pdf/rohs_cert/01ta0000007dObfAAE
 - REACH Declaration https://www.globtek.com/pdf/iso_certificates/REACH.pdf
 - Conflict Minerals Declaration <https://www.globtek.com/pdf/conflict-minerals.pdf>
- IPXY rating is based on 3rd party testing and customers should check suitability and test system level IPXY rating before ordering.

Regulatory Certifications/Label Markings

- LATEST PRODUCT/MODEL CERTIFICATIONS: <http://en.globtek.com/datasheet/id/a0Oa000000FldbF>
- AGENCY ONLINE DOCUMENTS: <http://www.globtek.info/certs/GTM86100/>



(F1) Class II / Double Insulated



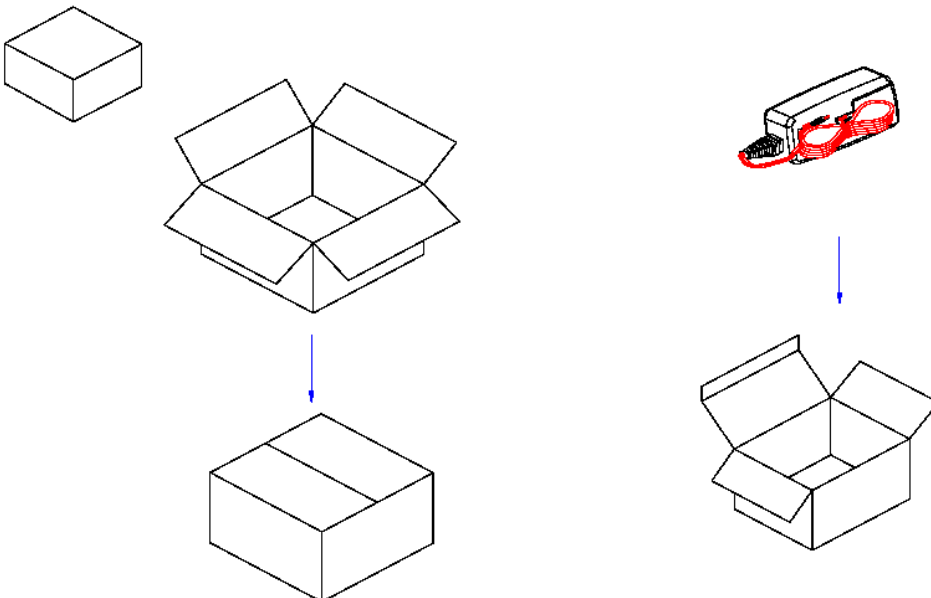
Pin 1: (+), Pin 2 & 3: N/C, Pin 4: (-)

GlobTek, Inc. www.globtek.com 186 Veterans Drive, Northvale, NJ 07647 Tel. (201) 784-1000 Fax (201) 784-0111	Drawing Title: GTM86100-1005-W2-USB, ITE / Medical Power Supply, Efficiency Level: VI, Case Color/Style: GlobTek Black, Wall Plug-in, AC/DC Switching Adapter with USB Power Supply AC Adaptor, Input Rating: 100-240V~, 50-60 Hz, N. America NEMA 1-15 Fixed , Output Rating: 10W, 5V@2A, Output Configuration: N/A mm, N/A/4 Cond, N/A, Type "A" USB "JACK", integral to power supply enclosure, Ferrite: None, N/A, GT Cord # C0132, Pin Out: Pin 1: (+), Pin 2 & 3: N/C, Pin 4: (-), Blades/Input Cord: Fixed Blades North American 1-15P, Approvals: CB 60335; CB 62368; PSE; ETL 62368; cETLus 60601-1 3rd; China RoHS; Double Insulation; Level VI; RoHS; VCCI; WEEE;	
	Model No. GTM86100-1005-W2-USB	
	Part No./Ordering No. WR9HA2000USBFMR6B	Rev A1

PACKAGING

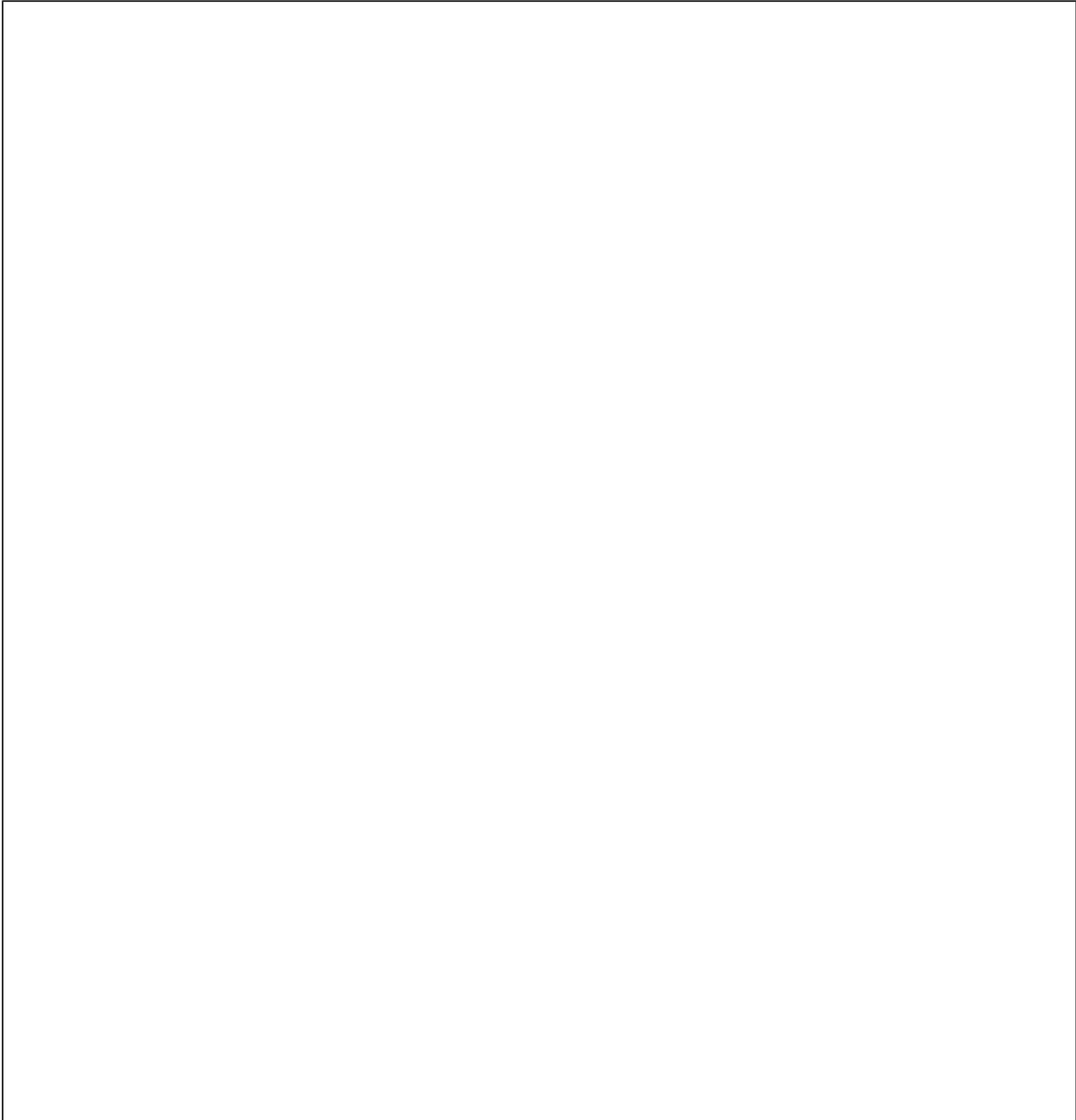
Packing Spec P/N:	Standard WPI, Individually Box, User manual DT
Box Qty:	300
Gift Box Size (mm):	43(L)*30(W)*75(H)
Gift Box Color:	White
Master Carton Size (mm):	455 x 325 x 257
Master Carton Cubic Volume (m ³):	0.04
Master GW (Kg):	12.0 kg
BLADES INCLUDED:	FBNA2:
BLADE/CORD INSTALLED:	FBNA2:
USER MANUAL:	809-DESKTOPUSERMANUAL on A4 paper
USER MANUAL WEB LINK:	https://en.globtek.com/pdf/809-DESKTOPUSERMANUA...

If specific packaging is required, this section must specify all requirements and note "no exceptions". If this section does not specify packaging, it is subject to change without notice at GlobTek's discretion



PROPRIETARY INFORMATION

GlobTek, Inc. www.globtek.com 186 Veterans Drive, Northvale, NJ 07647 Tel. (201) 784-1000 Fax (201) 784-0111	Drawing Title: GTM86100-1005-W2-USB, ITE / Medical Power Supply, Efficiency Level: VI, Case Color/Style: GlobTek Black, Wall Plug-in, AC/DC Switching Adapter with USB Power Supply AC Adaptor, Input Rating: 100-240V~, 50-60 Hz, N. America NEMA 1-15 Fixed , Output Rating: 10W, 5V@2A, Output Configuration: N/A mm, N/A/4 Cond, N/A, Type "A" USB "JACK", integral to power supply enclosure, Ferrite: None, N/A, GT Cord # C0132, Pin Out: Pin 1: (+), Pin 2 & 3: N/C, Pin 4: (-), Blades/Input Cord: Fixed Blades North American 1-15P, Approvals: CB 60335; CB 62368; PSE; ETL 62368; cETLus 60601-1 3rd; China RoHS; Double Insulation; Level VI; RoHS; VCCI; WEEE;	
	Model No. GTM86100-1005-W2-USB	
	Part No./Ordering No. WR9HA2000USBFMR6B	Rev A1



GlobTek, Inc. www.globtek.com 186 Veterans Drive, Northvale, NJ 07647 Tel. (201) 784-1000 Fax (201) 784-0111	Drawing Title: GTM86100-1005-W2-USB, ITE / Medical Power Supply, Efficiency Level: VI, Case Color/Style: GlobTek Black, Wall Plug-in, AC/DC Switching Adapter with USB Power Supply AC Adaptor, Input Rating: 100-240V~, 50-60 Hz, N. America NEMA 1-15 Fixed , Output Rating: 10W, 5V@2A, Output Configuration: N/A mm, N/A/4 Cond, N/A, Type "A" USB "JACK", integral to power supply enclosure, Ferrite: None, N/A, GT Cord # C0132, Pin Out: Pin 1: (+), Pin 2 & 3: N/C, Pin 4: (-), Blades/Input Cord: Fixed Blades North American 1-15P, Approvals: CB 60335; CB 62368; PSE; ETL 62368; cETLus 60601-1 3rd; China RoHS; Double Insulation; Level VI; RoHS; VCCI; WEEE;	
	Model No. GTM86100-1005-W2-USB	
	Part No./Ordering No. WR9HA2000USBFMR6B	Rev A1

INSTRUCTIONS TO THE OEM SYSTEMS ENGINEER

It is the responsibility of the OEM systems engineer to provide the end system user instructions and warnings for the use of this product in the end system.

If an input cord is required for this product, AC Mains voltage should be provided to the power supply by a power supply cord approved to the national standards of the country in which it will be used.

This power supply is not designed to be repaired. No serviceable parts inside. A blown internal fuse is an indication of catastrophic failure of circuit component(s). If a Failure Analysis is required for a failed power supply/battery charger, please return the damaged unit to Globtek for an accurate determination of the root cause of the failure.

EMC Compliance of the complete OEM product, including the GlobTek power supply/battery charger needs to be verified by the OEM systems engineer.

INSTRUCTION SHEET

N/A