

GloTek, Inc. www.globtek.com 186 Veterans Drive, Northvale, NJ 07647 Tel. (201) 784-1000 Fax (201) 784-0111	Drawing Title: GTM43007-A3007-1.0-FW, Medical/ITE/Household use Power Supply, Efficiency Level: N/A, Case Color/Style: GlobTek Black, Open Frame/Internal, Regulated Switchmode AC-DC Power Supply AC Adaptor, Input Rating: 100-240V~, 50-60 Hz, Molex Header (or equal) , Output Rating: 30W, 6V@5A, Output Configuration: N/A mm, N/A/4 Cond. , Molex 2.54mm Pitch 4-Pin Header PN: 22-11-2042 MATES W/ PN: 22-01-2047 or Equivalent, Ferrite: None, N/A, GT Cord # C0127, Pin Out: Pins 1 and 2: +V, Pins 3 and 4: -V, Blades/Input Cord: Not Applicable, Approvals: CB 62368; ETL 62368; EAC; cETLus; cETLus; Book 60601; China RoHS; WEEE; Ukraine; RoHS; CB 60601-1 2MOPP; CE; Double Insulation; CE; FCC; LPS; CB 60950; CB EN/IEC 60335-1; cETLus 60601-1 3rd; NEMKO EN/IEC 60335-1; S-Mark IEC/EN 60601-1 60950; Level V; Fuse60335; WDaE; Fuse 60335;	
	Model No. GTM43007-A3007-1.0-FW	
	Part No./Ordering No. GTM43007-A3006-FW(R)	Rev B

## REVISION HISTORY

REV	DESCRIPTION	SUB	DATE	APPROVED
B	Update Ukraine, GOST to EAC, RoHS 2 to RoHS	QA	07/10/2018	QA
A	Initial Release	jwarrn	05/02/2017	QA

In Addition to GlobTek Inc.'s renewed ISO9001:2015 - Quality Management System Certification, GlobTek Inc. is now certified to:

ISO13485:2016 - Medical Devices Quality Management System Certification

ISO14001:2015 - Environmental Management System Certification

ISO Certificates are available online at <https://www.globtek.com/iso-certificates/>

### Customer Approval of Specification:

Please approve, sign and send back to GlobTek so we can complete order processing.

A delay in receipt of this form will delay delivery schedule.

Company Name:

Customer P/N:

Quote Number:

Date:

Authorized Representative Name:

Authorized Representative Signature:

The acceptance of this specification and use of the product described in this document indicates the acceptance and binding of the customer to Globtek terms and conditions, which supersede all other agreements, terms, and conditions (<https://en.globtek.com/terms-and-conditions/>).

### Footnote:

GlobTek Inc. will not be liable for the safety and performance of these power supplies if unauthorized access and repair occurs. End user should consult applicable UL, CSA or EN standards for proper installation instruction.

### Limitation of Use:

GlobTek products are intended for use with commercial, medical, and/or industrial equipment only. GlobTek product are not authorized for use as mission critical components in life support hazardous environment, nuclear or aircraft applications without prior written approval from the CEO of GlobTek Inc.

Contents of this document are subject to change without prior notice.

GlobTek, Inc. www.globtek.com 186 Veterans Drive, Northvale, NJ 07647 Tel. (201) 784-1000 Fax (201) 784-0111	Drawing Title: GTM43007-A3007-1.0-FW, Medical/ITE/Household use Power Supply, Efficiency Level: N/A, Case Color/Style: GlobTek Black, Open Frame/Internal, Regulated Switchmode AC-DC Power Supply AC Adaptor, Input Rating: 100-240V~, 50-60 Hz, Molex Header (or equal) , Output Rating: 30W, 6V@5A, Output Configuration: N/A mm, N/A/4 Cond. , Molex 2.54mm Pitch 4-Pin Header PN: 22-11-2042 MATES W/ PN: 22-01-2047 or Equivalent, Ferrite: None, N/A, GT Cord # C0127, Pin Out: Pins 1 and 2: +V, Pins 3 and 4: -V, Blades/Input Cord: Not Applicable, Approvals: CB 62368; ETL 62368; EAC; cETLus; cETLus; Book 60601; China RoHS; WEEE; Ukraine; RoHS; CB 60601-1 2MOPP; CE; Double Insulation; CE; FCC; LPS; CB 60950; CB EN/IEC 60335-1; cETLus 60601-1 3rd; NEMKO EN/IEC 60335-1; S-Mark IEC/EN 60601-1 60950; Level V; Fuse60335; WDaE; Fuse 60335;	
	Model No. GTM43007-A3007-1.0-FW	
	Part No./Ordering No. GTM43007-A3006-FW(R)	Rev B

## POWER SUPPLY INFORMATION

TYPE:	Open Frame/Internal
TECHNOLOGY:	Regulated Switchmode AC-DC Power Supply AC Adaptor
CASE COLOR:	GlobTek Black
NAMEPLATE RATED INPUT:	100-240V~, 50-60 Hz, 1.5 A
INPUT CONFIG:	Molex Header (or equal)
WATTS:	30.0
VOLTS OUT:	6
CURRENT OUT (Amps):	5
BLADE/CORD INCLUDED:	N/A
BLADE/CORD INSTALLED:	N/A
INGRESS PROTECTION:	N/A
GROUNDING CONFIGURATION:	(F1) Class II / Double Insulated
EFFICIENCY LEVEL:	N/A
OUTPUT CONFIGURATION:	N/A mm, N/A/4 Cond. , Molex 2.54mm Pitch 4-Pin Header PN: 22-11-2042 MATES W/ PN: 22-01-2047 or Equivalent, Ferrite: None, N/A, GT Cord # C0127
CONNECTOR PIN OUT:	Pins 1 and 2: +V, Pins 3 and 4: -V
LABEL SPECS:	Standard GT,L-1186
SPECIAL BARCODE LABEL	
MATERIAL:	No
PACK SPEC:	Packing GTM43007-AWWWV-F(W)
USER MANUAL:	N/A User Manual

Notes/Modifications/Customizations (notes in this section supersede the values shown in the standard spec):

DIMENSIONS ARE IN MM UNLESS SPECIFIED OTHERWISE.

GloTek, Inc. www.globtek.com 186 Veterans Drive, Northvale, NJ 07647 Tel. (201) 784-1000 Fax (201) 784-0111	Drawing Title: GTM43007-A3007-1.0-FW, Medical/ITE/Household use Power Supply, Efficiency Level: N/A, Case Color/Style: GlobTek Black, Open Frame/Internal, Regulated Switchmode AC-DC Power Supply AC Adaptor, Input Rating: 100-240V~, 50-60 Hz, Molex Header (or equal) , Output Rating: 30W, 6V@5A, Output Configuration: N/A mm, N/A/4 Cond. , Molex 2.54mm Pitch 4-Pin Header PN: 22-11-2042 MATES W/ PN: 22-01-2047 or Equivalent, Ferrite: None, N/A, GT Cord # C0127, Pin Out: Pins 1 and 2: +V, Pins 3 and 4: -V, Blades/Input Cord: Not Applicable, Approvals: CB 62368; ETL 62368; EAC; cETLus; cETLus; Book 60601; China RoHS; WEEE; Ukraine; RoHS; CB 60601-1 2MOPP; CE; Double Insulation; CE; FCC; LPS; CB 60950; CB EN/IEC 60335-1; cETLus 60601-1 3rd; NEMKO EN/IEC 60335-1; S-Mark IEC/EN 60601-1 60950; Level V; Fuse60335; WDaE; Fuse 60335;	
	Model No. GTM43007-A3007-1.0-FW	
	Part No./Ordering No. GTM43007-A3006-FW(R)	Rev B

## ELECTRICAL SPECIFICATIONS

### A) ELECTRICAL SPECIFICATIONS:

01. Input Voltage: Specified 90-264 Vac, Nameplate rated: 100-240Vac
02. Input Frequency: Specified 47-63 Hz, Nameplate rated 50-60Hz
03. Output Regulation: +/- 3% measured at the output connector
04. Line Voltage Regulation: +/- 0.5% maximum measured at full load
05. Output Ripple (Vp-p): +/- 1% of output voltage, Vp-p, max
06. Turn-ON/OFF: 5% maximum, 1 mS typical recovery time for 25% step load
07. Turn-ON Delay: 1 Sec max
08. Hold-Up Time: 10 mS typical @ nominal input voltage and full load
09. Inrush Current: 30A maximum @ 115 Vac input, 60A maximum @ 230 Vac input
10. Switching Frequency: 65 KHz typical
11. Efficiency: 87% @115Vac, 89% @ 230Vac typical at full load
12. No Load Power: < 300mW @ 230Vac

### B) PROTECTION

01. Overvoltage Protection: 110% to 130% of nominal output voltage, and less than 60Vdc
02. Short Circuit/Over-load: momentary short circuit protected, output will auto recover upon removal of short

### C) SAFETY

01. Dielectric Withstand Voltage: 4000Vac / 5656Vdc from primary to secondary
02. Earth Leakage Current: Does not exceed 300uA in NORMAL CONDITION and 1000uA in SINGLE FAULT CONDITION
03. Output Leakage Current: Does not exceed 75uA NC(Normal condition) 300uA SFC(single fault condition)
05. Earth continuity test:<0.1 Ohm, Class I Only
06. Mode of operation: Continuous
07. Means of Protection: 2 x MOPP
08. Compliant Standards: See listings at end of this drawing for specifics

### D) EMC

EN 60601-1-2, 4<sup>th</sup> edition

Emissions, per EN 55032, EN 61000-6-3, EN 61000-6-4

Conducted Emissions: Class B, FCC Part 15, Class B

Radiated Emissions: Class B, FCC Part 15, Class B

Line Frequency Harmonics EN61000-3-2, Class A

Voltage Fluctuations/Flicker EN61000-3-3

Immunity, per EN 55024, EN 61000-6-1, EN 61000-6-2

Static Discharge Immunity EN61000-4-2, 10kV Contact Discharge, 20kV air discharge

Radiated RF Immunity EN61000-4-3, 10V/m 80-1000MHz, 3V/m 1-2.7GHz, 80% 1KHz AM.

EFT/Burst Immunity EN61000-4-4, 4kV/100kHz.

Line Surge Immunity EN61000-4-5, 2kV differential, 4kV common-mode

Conducted RF Immunity EN61000-4-6, 3Vrms, 80% 1KHz AM

Power Frequency Magnetic Field Immunity EN61000-4-8, 3A/m

Voltage Dip Immunity EN61000-4-11, Criteria

### E) OTHER

01. MTBF: 1,000,000 Hours @ 45°C ambient temperature, Full Load

#### PROPRIETARY INFORMATION

PROPRIETARY OF GLOBTEK, INC. ANY REPRODUCTION, DISCLOSURE OR USE OF THIS DRAWING, IN WHOLE OR IN PART, IS HEREBY PROHIBITED EXCEPT AS SPECIFIED IN WRITING BY GLOBTEK, INC. © GlobTek, Inc. 2017 - 2019

quest /06/24/2019 8:01:39 PM

GlobTek, Inc. www.globtek.com 186 Veterans Drive, Northvale, NJ 07647 Tel. (201) 784-1000 Fax (201) 784-0111	Drawing Title: GTM43007-A3007-1.0-FW, Medical/ITE/Household use Power Supply, Efficiency Level: N/A, Case Color/Style: GlobTek Black, Open Frame/Internal, Regulated Switchmode AC-DC Power Supply AC Adaptor, Input Rating: 100-240V~, 50-60 Hz, Molex Header (or equal) , Output Rating: 30W, 6V@5A, Output Configuration: N/A mm, N/A/4 Cond. , Molex 2.54mm Pitch 4-Pin Header PN: 22-11-2042 MATES W/ PN: 22-01-2047 or Equivalent, Ferrite: None, N/A, GT Cord # C0127, Pin Out: Pins 1 and 2: +V, Pins 3 and 4: -V, Blades/Input Cord: Not Applicable, Approvals: CB 62368; ETL 62368; EAC; cETLus; cETLus; Book 60601; China RoHS; WEEE; Ukraine; RoHS; CB 60601-1 2MOPP; CE; Double Insulation; CE; FCC; LPS; CB 60950; CB EN/IEC 60335-1; cETLus 60601-1 3rd; NEMKO EN/IEC 60335-1; S-Mark IEC/EN 60601-1 60950; Level V; Fuse60335; WDaE; Fuse 60335;	
	Model No. GTM43007-A3007-1.0-FW	
	Part No./Ordering No. GTM43007-A3006-FW(R)	Rev B

- 02. Operating Temperature: -10°C to 45°C ambient temperature
- 03. Humidity: 0% to 95% relative humidity
- 04. Storage Temperature: -30°C to 80°C
- 05. Cooling: Convection
- 06. Elevation: 5000M
- 07. ROHS 2: Complies with EU 2011/65/EU and China SJ/T 11363-2006

#### F) MECHANICAL FORMAT

- 01. Type: Open Frame
- 02. Size: A suffix version, (2"x3"), 76.2 x 50.8 x 30.5 mm
- 03. Size: B suffix version, (2"x4"), 101.6 x 50.8 x 30.5 mm
- 04. Size: C suffix version, (3"x5"), 127.0 x 76.2 x 30.5 mm

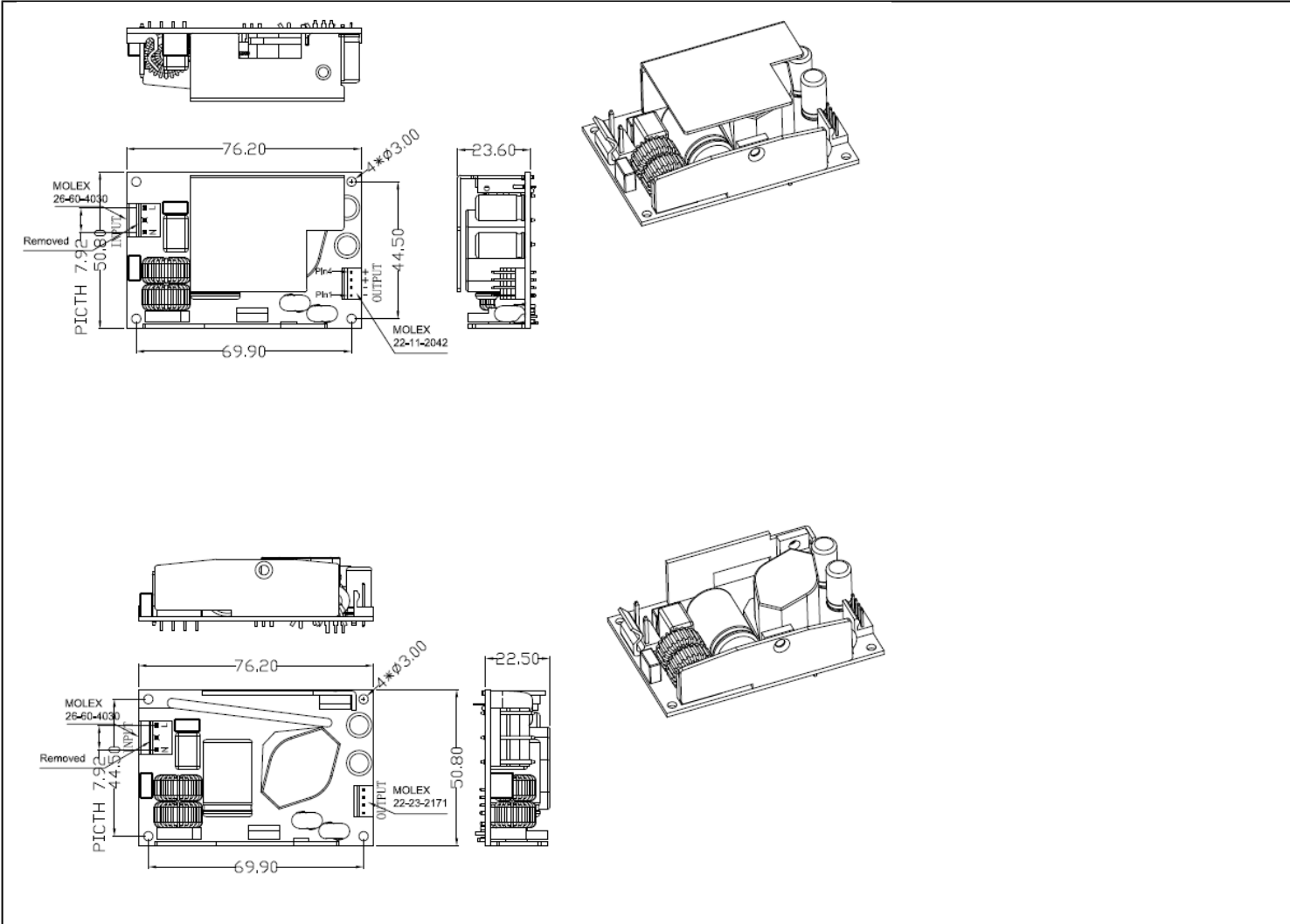
#### G) SPECIAL OPTIONS

- 01. Custom Label Markings
- 02. Short term Output Surge Capability
- 03. Reduced Leakage Current versions
- 04. Tightened output voltage tolerance
- 05. Reduced output ripple level
- 06. High Rel PCB laminate with Plated through Holes for IPC610 Class 2 Compliance
- 07. Low Temperature operation, down to -40°C
- 08. Quasi Constant Current Output, for Lead-Acid Battery Charger Applications
- 09. Special Input or Output Connectors
- 10. Over-Temperature Protection, Latched Shut-Down

INGRESS PROTECTION: N/A

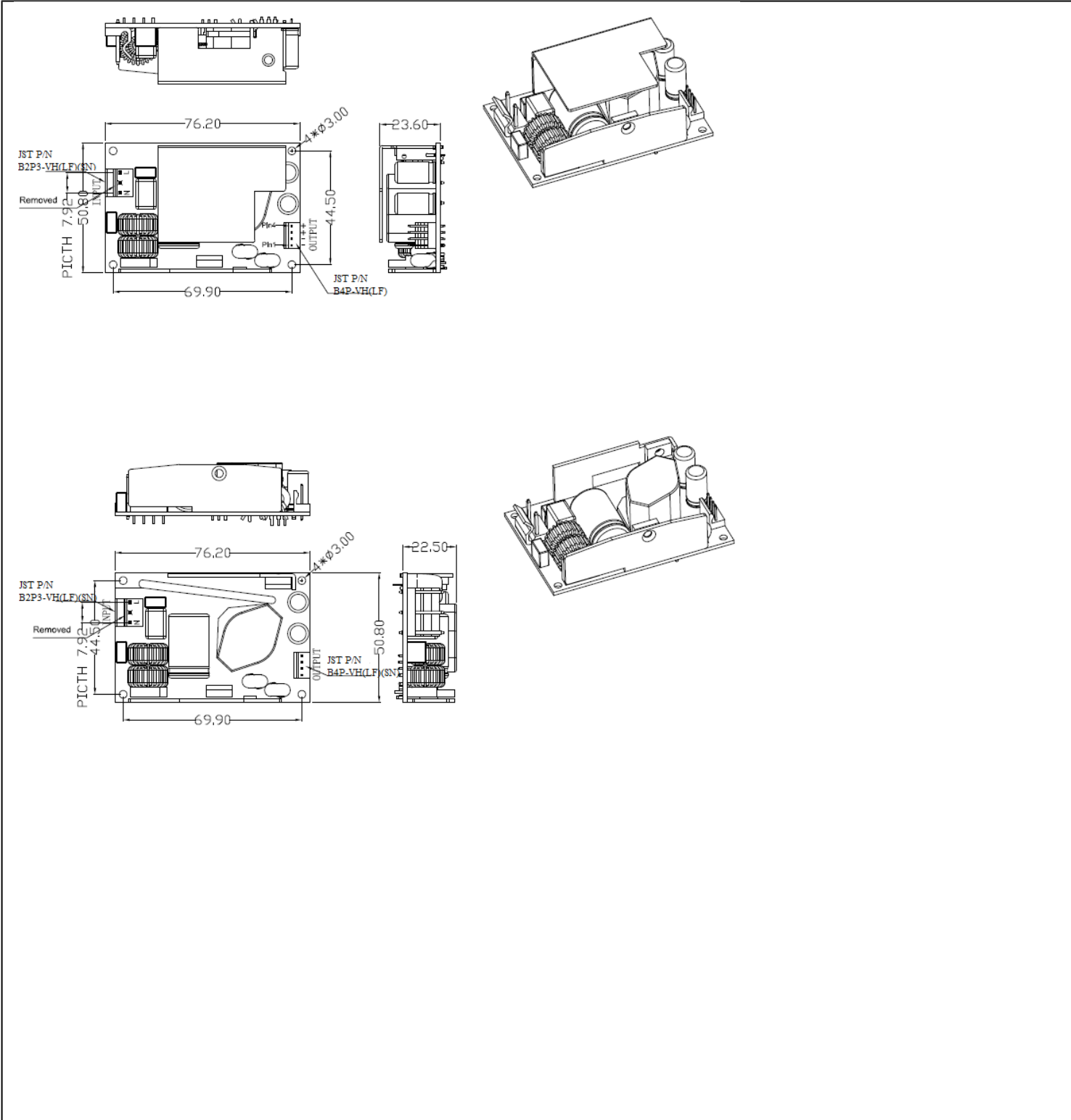
Top Diagram is for 5V-14V models, Bottom Diagram is for 15V-48V models

<p>GlobTek, Inc. www.globtek.com 186 Veterans Drive, Northvale, NJ 07647 Tel. (201) 784-1000 Fax (201) 784-0111</p>	<p>Drawing Title: GTM43007-A3007-1.0-FW, Medical/ITE/Household use Power Supply, Efficiency Level: N/A, Case Color/Style: GlobTek Black, Open Frame/Internal, Regulated Switchmode AC-DC Power Supply AC Adaptor, Input Rating: 100-240V~, 50-60 Hz, Molex Header (or equal) , Output Rating: 30W, 6V@5A, Output Configuration: N/A mm, N/A/4 Cond. , Molex 2.54mm Pitch 4-Pin Header PN: 22-11-2042 MATES W/ PN: 22-01-2047 or Equivalent, Ferrite: None, N/A, GT Cord # C0127, Pin Out: Pins 1 and 2: +V, Pins 3 and 4: -V, Blades/Input Cord: Not Applicable, Approvals: CB 62368; ETL 62368; EAC; cETLus; cETLus; Book 60601; China RoHS; WEEE; Ukraine; RoHS; CB 60601-1 2MOPP; CE; Double Insulation; CE; FCC; LPS; CB 60950; CB EN/IEC 60335-1; cETLus 60601-1 3rd; NEMKO EN/IEC 60335-1; S-Mark IEC/EN 60601-1 60950; Level V; Fuse60335; WDaE; Fuse 60335;</p>	
	<p>Model No. GTM43007-A3007-1.0-FW</p>	
	<p>Part No./Ordering No. GTM43007-A3006-FW(R)</p>	<p>Rev B</p>



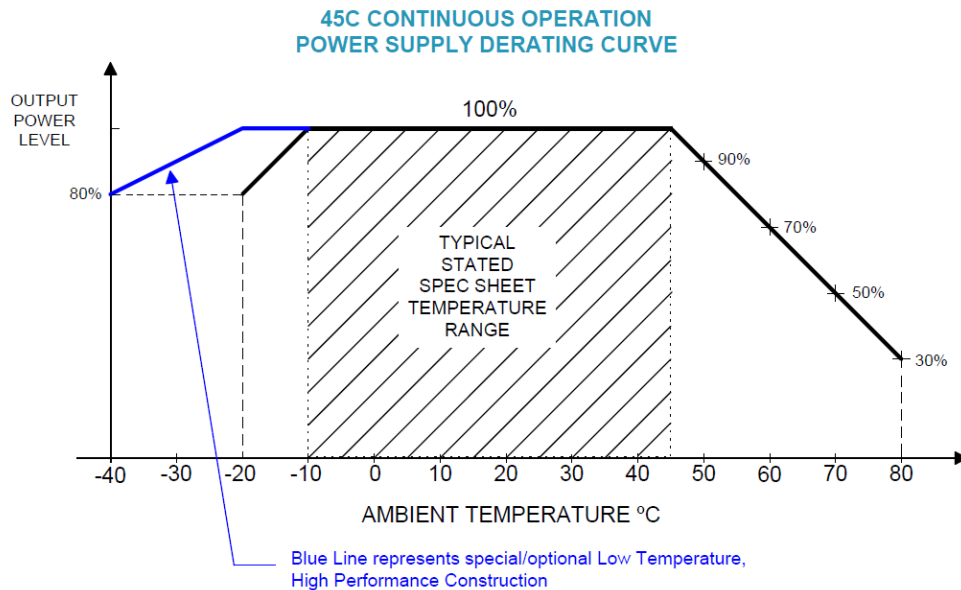
Alternative configuration with different input and output connectors. Product PN# ends with suffix "FWJST"

<p>GlobTek, Inc.  www.globtek.com  186 Veterans Drive,  Northvale, NJ 07647  Tel. (201) 784-1000  Fax (201) 784-0111</p>	<p>Drawing Title: GTM43007-A3007-1.0-FW, Medical/ITE/Household use Power Supply, Efficiency Level: N/A, Case Color/Style: GlobTek Black, Open Frame/Internal, Regulated Switchmode AC-DC Power Supply AC Adaptor, Input Rating: 100-240V~, 50-60 Hz, Molex Header (or equal) , Output Rating: 30W, 6V@5A, Output Configuration: N/A mm, N/A/4 Cond. , Molex 2.54mm Pitch 4-Pin Header PN: 22-11-2042 MATES W/ PN: 22-01-2047 or Equivalent, Ferrite: None, N/A, GT Cord # C0127, Pin Out: Pins 1 and 2: +V, Pins 3 and 4: -V, Blades/Input Cord: Not Applicable, Approvals: CB 62368; ETL 62368; EAC; cETLus; cETLus; Book 60601; China RoHS; WEEE; Ukraine; RoHS; CB 60601-1 2MOPP; CE; Double Insulation; CE; FCC; LPS; CB 60950; CB EN/IEC 60335-1; cETLus 60601-1 3rd; NEMKO EN/IEC 60335-1; S-Mark IEC/EN 60601-1 60950; Level V; Fuse60335; WDAE; Fuse 60335;</p>
<p>Model No. GTM43007-A3007-1.0-FW</p>	
<p>Part No./Ordering No. GTM43007-A3006-FW(R)</p>	<p>Rev B</p>



GlobTek, Inc. www.globtek.com 186 Veterans Drive, Northvale, NJ 07647 Tel. (201) 784-1000 Fax (201) 784-0111	Drawing Title: GTM43007-A3007-1.0-FW, Medical/ITE/Household use Power Supply, Efficiency Level: N/A, Case Color/Style: GlobTek Black, Open Frame/Internal, Regulated Switchmode AC-DC Power Supply AC Adaptor, Input Rating: 100-240V~, 50-60 Hz, Molex Header (or equal) , Output Rating: 30W, 6V@5A, Output Configuration: N/A mm, N/A/4 Cond. , Molex 2.54mm Pitch 4-Pin Header PN: 22-11-2042 MATES W/ PN: 22-01-2047 or Equivalent, Ferrite: None, N/A, GT Cord # C0127, Pin Out: Pins 1 and 2: +V, Pins 3 and 4: -V, Blades/Input Cord: Not Applicable, Approvals: CB 62368; ETL 62368; EAC; cETLus; cETLus; Book 60601; China RoHS; WEEE; Ukraine; RoHS; CB 60601-1 2MOPP; CE; Double Insulation; CE; FCC; LPS; CB 60950; CB EN/IEC 60335-1; cETLus 60601-1 3rd; NEMKO EN/IEC 60335-1; S-Mark IEC/EN 60601-1 60950; Level V; Fuse60335; WDaE; Fuse 60335;	
	Model No. GTM43007-A3007-1.0-FW	
	Part No./Ordering No. GTM43007-A3006-FW(R)	Rev B

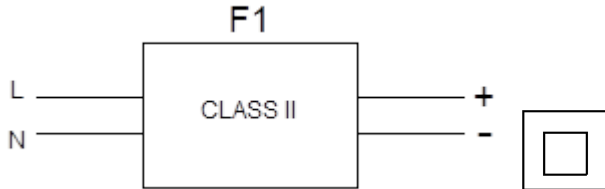
DERATING CURVE



GlobTek, Inc. www.globtek.com 186 Veterans Drive, Northvale, NJ 07647 Tel. (201) 784-1000 Fax (201) 784-0111	Drawing Title: GTM43007-A3007-1.0-FW, Medical/ITE/Household use Power Supply, Efficiency Level: N/A, Case Color/Style: GlobTek Black, Open Frame/Internal, Regulated Switchmode AC-DC Power Supply AC Adaptor, Input Rating: 100-240V~, 50-60 Hz, Molex Header (or equal) , Output Rating: 30W, 6V@5A, Output Configuration: N/A mm, N/A/4 Cond. , Molex 2.54mm Pitch 4-Pin Header PN: 22-11-2042 MATES W/ PN: 22-01-2047 or Equivalent, Ferrite: None, N/A, GT Cord # C0127, Pin Out: Pins 1 and 2: +V, Pins 3 and 4: -V, Blades/Input Cord: Not Applicable, Approvals: CB 62368; ETL 62368; EAC; cETLus; cETLus; Book 60601; China RoHS; WEEE; Ukraine; RoHS; CB 60601-1 2MOPP; CE; Double Insulation; CE; FCC; LPS; CB 60950; CB EN/IEC 60335-1; cETLus 60601-1 3rd; NEMKO EN/IEC 60335-1; S-Mark IEC/EN 60601-1 60950; Level V; Fuse60335; WDaE; Fuse 60335;	
	Model No. GTM43007-A3007-1.0-FW	
	Part No./Ordering No. GTM43007-A3006-FW(R)	Rev B

## INPUT CONFIGURATION

(F1) Class II / Double Insulated

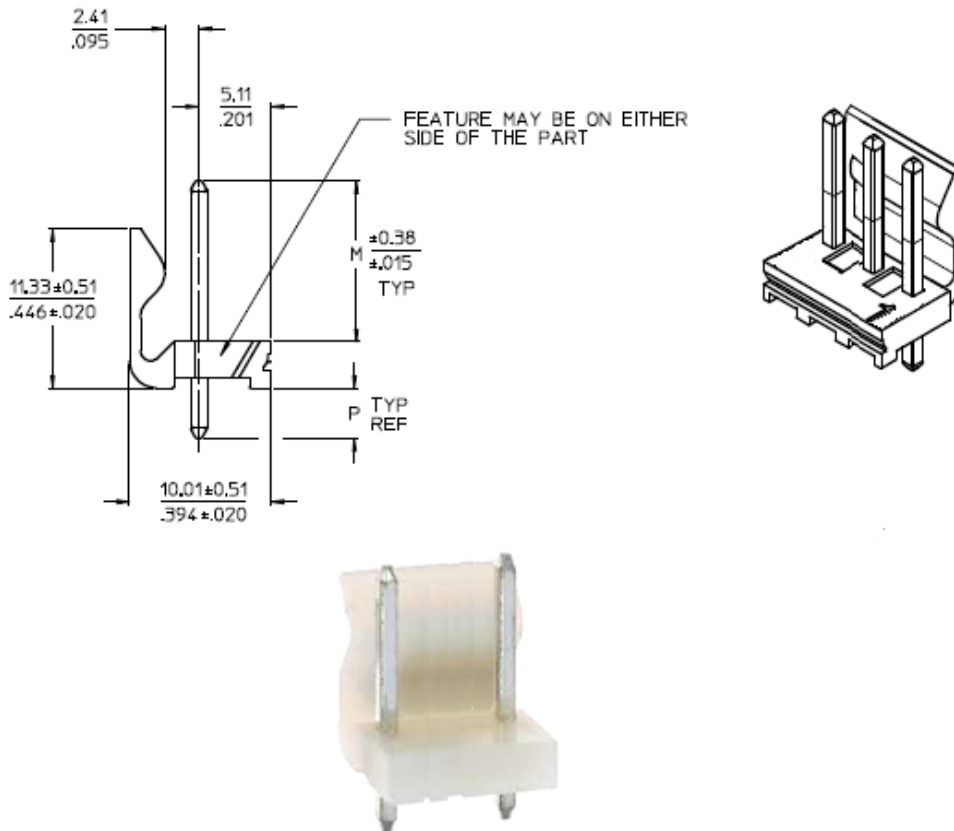


[Alternate grounding configurations](#) available upon request.

Blades/Cord Included:N/A:

Blades/Cord Installed:N/A:

Molex 26-60-4030 3 Position Header Pin 1: Line, Pin 2: Removed, PIN 3: Neutral



### PROPRIETARY INFORMATION

PROPRIETARY OF GLOBTEK, INC. ANY REPRODUCTION, DISCLOSURE OR USE OF THIS DRAWING, IN WHOLE OR IN PART, IS HEREBY PROHIBITED EXCEPT AS SPECIFIED IN WRITING BY GLOBTEK, INC. © GlobTek, Inc. 2017 - 2019



GloBtek, Inc. www.globtek.com 186 Veterans Drive, Northvale, NJ 07647 Tel. (201) 784-1000 Fax (201) 784-0111	Drawing Title: GTM43007-A3007-1.0-FW, Medical/ITE/Household use Power Supply, Efficiency Level: N/A, Case Color/Style: GlobTek Black, Open Frame/Internal, Regulated Switchmode AC-DC Power Supply AC Adaptor, Input Rating: 100-240V~, 50-60 Hz, Molex Header (or equal) , Output Rating: 30W, 6V@5A, Output Configuration: N/A mm, N/A/4 Cond. , Molex 2.54mm Pitch 4-Pin Header PN: 22-11-2042 MATES W/ PN: 22-01-2047 or Equivalent, Ferrite: None, N/A, GT Cord # C0127, Pin Out: Pins 1 and 2: +V, Pins 3 and 4: -V, Blades/Input Cord: Not Applicable, Approvals: CB 62368; ETL 62368; EAC; cETLus; cETLus; Book 60601; China RoHS; WEEE; Ukraine; RoHS; CB 60601-1 2MOPP; CE; Double Insulation; CE; FCC; LPS; CB 60950; CB EN/IEC 60335-1; cETLus 60601-1 3rd; NEMKO EN/IEC 60335-1; S-Mark IEC/EN 60601-1 60950; Level V; Fuse60335; WDaE; Fuse 60335;	
	Model No. GTM43007-A3007-1.0-FW	
	Part No./Ordering No. GTM43007-A3006-FW(R)	Rev B

Optional Input Wiring Kits are available:

PN/Ordering No	Length	End A	End B
<a href="#">XHP410070M7MLX3(R)</a>		70JST XHP-4	Molex 09-93-0300
<a href="#">C810070M6MLX3(R)</a>		60IEC60320 C8	Molex 09-93-0300
<a href="#">C1410070M6MLX3(R)</a>		60IEC60320 C14	Molex 09-93-0300

Custom lengths, construction, cable types, ferrites, filters, and termination available upon request.

GlobTek, Inc. www.globtek.com 186 Veterans Drive, Northvale, NJ 07647 Tel. (201) 784-1000 Fax (201) 784-0111	Drawing Title: GTM43007-A3007-1.0-FW, Medical/ITE/Household use Power Supply, Efficiency Level: N/A, Case Color/Style: GlobTek Black, Open Frame/Internal, Regulated Switchmode AC-DC Power Supply AC Adaptor, Input Rating: 100-240V~, 50-60 Hz, Molex Header (or equal) , Output Rating: 30W, 6V@5A, Output Configuration: N/A mm, N/A/4 Cond. , Molex 2.54mm Pitch 4-Pin Header PN: 22-11-2042 MATES W/ PN: 22-01-2047 or Equivalent, Ferrite: None, N/A, GT Cord # C0127, Pin Out: Pins 1 and 2: +V, Pins 3 and 4: -V, Blades/Input Cord: Not Applicable, Approvals: CB 62368; ETL 62368; EAC; cETLus; cETLus; Book 60601; China RoHS; WEEE; Ukraine; RoHS; CB 60601-1 2MOPP; CE; Double Insulation; CE; FCC; LPS; CB 60950; CB EN/IEC 60335-1; cETLus 60601-1 3rd; NEMKO EN/IEC 60335-1; S-Mark IEC/EN 60601-1 60950; Level V; Fuse60335; WDaE; Fuse 60335;	
	Model No. GTM43007-A3007-1.0-FW	
	Part No./Ordering No. GTM43007-A3006-FW(R)	Rev B

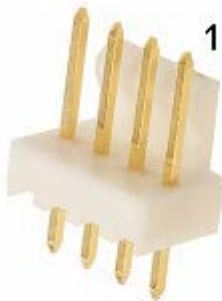
**OUTPUT CORD AND CONNECTOR: MOLI/C0127**

ACTUAL CONNECTORS, OVERMOLDS, FERRITES MAY VARY SLIGHTLY FROM THE PICTURE BELOW

**CABLE TYPE**

CABLE LENGTH (mm)	N/A
CABLE TOLERANCE (mm)	N/A
WIRE GAUGE (AWG)	N/A
CONDUCTORS	4
HANK DIMENSION (mm)	N/A
CABLE / CONNECTOR OVERMOLD COLOR	N/A
FERRITE TYPE / DIMENSION	None
FERRITE # OF TURNS <a href="#">(Definition)</a>	N/A
FERRITE DIMENSION FROM STRAIN RELIEF	N/A
FERRITE DIMENSION FROM PLUG	N/A
PLUG TYPE	Molex 2.54mm Pitch 4-Pin Header PN: 22-11-2042 MATES W/ PN: 22-01-2047 or Equivalent
OUTPUT CONNECTOR SEX	
OVERMOLDED	
OVER MOLD ORIENTATION	
CONNECTOR PIN OUT:	Pins 1 and 2: +V, Pins 3 and 4: -V

**ADDITIONAL REQUIREMENTS**



Optional wiring kits available:

PN/Ordering No	Length	End A	End B
<a href="#">XHP410070M7XHP4(R)</a>	70	JST XHP-4	JST XHP-4
<a href="#">XHP410070M7MLX3(R)</a>	70	JST XHP-4	Molex 09-93-0300

Custom lengths, construction, cable types, ferrites, filters, and termination available upon request.

ADDITIONAL OUTPUT PLUG OPTIONS ARE AVAILABLE AT <https://www.globtek.com/connectors/>  
STANDARD PLUGS AND CONNECTORS CAN BE SEEN ONLINE AT <https://www.globtek.com/connectors/>

<b>GlobTek, Inc.</b> www.globtek.com 186 Veterans Drive, Northvale, NJ 07647 Tel. (201) 784-1000 Fax (201) 784-0111	Drawing Title: GTM43007-A3007-1.0-FW, Medical/ITE/Household use Power Supply, Efficiency Level: N/A, Case Color/Style: GlobTek Black, Open Frame/Internal, Regulated Switchmode AC-DC Power Supply AC Adaptor, Input Rating: 100-240V~, 50-60 Hz, Molex Header (or equal) , Output Rating: 30W, 6V@5A, Output Configuration: N/A mm, N/A/4 Cond. , Molex 2.54mm Pitch 4-Pin Header PN: 22-11-2042 MATES W/ PN: 22-01-2047 or Equivalent, Ferrite: None, N/A, GT Cord # C0127, Pin Out: Pins 1 and 2: +V, Pins 3 and 4: -V, Blades/Input Cord: Not Applicable, Approvals: CB 62368; ETL 62368; EAC; cETLus; cETLus; Book 60601; China RoHS; WEEE; Ukraine; RoHS; CB 60601-1 2MOPP; CE; Double Insulation; CE; FCC; LPS; CB 60950; CB EN/IEC 60335-1; cETLus 60601-1 3rd; NEMKO EN/IEC 60335-1; S-Mark IEC/EN 60601-1 60950; Level V; Fuse60335; WDaE; Fuse 60335;	
	Model No. GTM43007-A3007-1.0-FW	
	Part No./Ordering No. GTM43007-A3006-FW(R)	Rev B

LABEL:L-1186

LABEL P/N: Standard GT

MATERIAL: Flat Thermal Transfer, Imprintable, Polyester Label and/or Pad Printed and/or Molded, and/or Laser Engraved in the case

BACKGROUND COLOR: Black if housing is Black, White or Silver if housing is White or Gray.

TEXT COLOR: White or Silver if label is Black Background for Black housing. Black if label is White or Silver background and Housing is White or Gray

LABEL WIDTH (mm): 25.0

LABEL HEIGHT (mm): 17.0

SPECIAL BARCODE LABEL MATERIAL: No

Below is the minimum information which will appear on the label. NOTE: in the logo area additional/actual positioning of symbols and text is subjected to change as per agency updates/requirements or additional model approvals become available.

Regulatory certifications/label markings may be in logo area on the label or molded into the case housing outside the label area.

Information will be shown via label and/or pad printed and/or molded and/or laser engraved in the case. \* Date code markings at GlobTek option.



A=Medical/ITE/Household use Power Supply  
B=P/N: (料号) GTM43007-A3006-FW(R)  
C=Model (型号) GTM43007-A3007-1.0-FW  
D=Input (输入) 100-240V~, 50-60 Hz, 1.5 A  
E=Output (输出) 6 V 5 A, 30.0W

AGENCY ONLINE DOCUMENTS

<http://www.globtek.info/certs/GTM43007/>

CE EC-Declaration for Medical

[http://globtek.force.com/models/ec\\_declaration?id=a0Oa000000HTZh6EAH](http://globtek.force.com/models/ec_declaration?id=a0Oa000000HTZh6EAH)

PROPRIETARY INFORMATION

PROPRIETARY OF GLOBTEK, INC. ANY REPRODUCTION, DISCLOSURE OR USE OF THIS DRAWING, IN WHOLE OR IN PART, IS HEREBY PROHIBITED EXCEPT AS SPECIFIED IN Page 11 of 14

WRITING BY GLOBTEK, INC. © GlobTek, Inc. 2017 - 2019

quest /06/24/2019 8:01:39 PM

GlobTek, Inc. www.globtek.com 186 Veterans Drive, Northvale, NJ 07647 Tel. (201) 784-1000 Fax (201) 784-0111	Drawing Title: GTM43007-A3007-1.0-FW, Medical/ITE/Household use Power Supply, Efficiency Level: N/A, Case Color/Style: GlobTek Black, Open Frame/Internal, Regulated Switchmode AC-DC Power Supply AC Adaptor, Input Rating: 100-240V~, 50-60 Hz, Molex Header (or equal) , Output Rating: 30W, 6V@5A, Output Configuration: N/A mm, N/A/4 Cond. , Molex 2.54mm Pitch 4-Pin Header PN: 22-11-2042 MATES W/ PN: 22-01-2047 or Equivalent, Ferrite: None, N/A, GT Cord # C0127, Pin Out: Pins 1 and 2: +V, Pins 3 and 4: -V, Blades/Input Cord: Not Applicable, Approvals: CB 62368; ETL 62368; EAC; cETLus; cETLus; Book 60601; China RoHS; WEEE; Ukraine; RoHS; CB 60601-1 2MOPP; CE; Double Insulation; CE; FCC; LPS; CB 60950; CB EN/IEC 60335-1; cETLus 60601-1 3rd; NEMKO EN/IEC 60335-1; S-Mark IEC/EN 60601-1 60950; Level V; Fuse60335; WDaE; Fuse 60335;	
	Model No. GTM43007-A3007-1.0-FW	
	Part No./Ordering No. GTM43007-A3006-FW(R)	Rev B

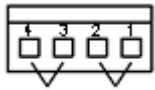
CE EC-Declaration for Industrial/Commercial/ITE [http://globtek.force.com/models/ec\\_declaration?id=a0Oa000000HTZh6EAH](http://globtek.force.com/models/ec_declaration?id=a0Oa000000HTZh6EAH)  
CE EC-Declaration for Household [http://globtek.force.com/models/ec\\_declaration?id=a0Oa000000HTZh6EAH](http://globtek.force.com/models/ec_declaration?id=a0Oa000000HTZh6EAH)  
RoHS/RoHS3 Declaration [https://www.globtek.com/pdf/rohs\\_cert/01ta0000007dRILAA2](https://www.globtek.com/pdf/rohs_cert/01ta0000007dRILAA2)  
REACH Declaration [https://www.globtek.com/pdf/iso\\_certificates/REACH.pdf](https://www.globtek.com/pdf/iso_certificates/REACH.pdf)  
Conflict Minerals Declaration <https://www.globtek.com/pdf/conflict-minerals.pdf>  
IPXY rating is based on 3rd party testing and customers should check suitability and test system level IPXY rating before ordering.

## Regulatory Certifications/Label Markings

LATEST PRODUCT/MODEL CERTIFICATIONS: <http://en.globtek.com/datasheet/id/a0Oa000000HTZh6>  
AGENCY ONLINE DOCUMENTS: <http://www.globtek.info/certs/GTM43007/>



(F1) Class II / Double Insulated

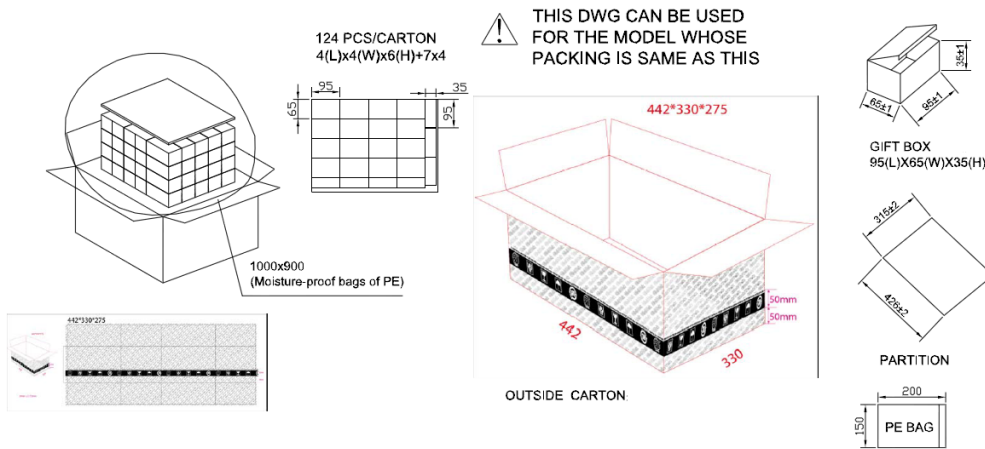


Pins 1 and 2: +V,  
Pins 3 and 4: -V

<p>GlobTek, Inc. www.globtek.com 186 Veterans Drive, Northvale, NJ 07647 Tel. (201) 784-1000 Fax (201) 784-0111</p>	<p>Drawing Title: GTM43007-A3007-1.0-FW, Medical/ITE/Household use Power Supply, Efficiency Level: N/A, Case Color/Style: GlobTek Black, Open Frame/Internal, Regulated Switchmode AC-DC Power Supply AC Adaptor, Input Rating: 100-240V~, 50-60 Hz, Molex Header (or equal) , Output Rating: 30W, 6V@5A, Output Configuration: N/A mm, N/A/4 Cond. , Molex 2.54mm Pitch 4-Pin Header PN: 22-11-2042 MATES W/ PN: 22-01-2047 or Equivalent, Ferrite: None, N/A, GT Cord # C0127, Pin Out: Pins 1 and 2: +V, Pins 3 and 4: -V, Blades/Input Cord: Not Applicable, Approvals: CB 62368; ETL 62368; EAC; cETLus; cETLus; Book 60601; China RoHS; WEEE; Ukraine; RoHS; CB 60601-1 2MOPP; CE; Double Insulation; CE; FCC; LPS; CB 60950; CB EN/IEC 60335-1; cETLus 60601-1 3rd; NEMKO EN/IEC 60335-1; S-Mark IEC/EN 60601-1 60950; Level V; Fuse60335; WDaE; Fuse 60335;</p>	
	<p>Model No. GTM43007-A3007-1.0-FW</p>	
	<p>Part No./Ordering No. GTM43007-A3006-FW(R)</p>	<p>Rev B</p>

## PACKAGING

Packing Spec P/N:	Packing GTM43007-AWWWV-F(W)
Box Qty:	124
Gift Box Size (mm):	95*65*35
Gift Box Color:	White
Master Carton Size (mm):	442 x 330 x 275
Master Carton Cubic Volume (m <sup>3</sup> ):	0.04
Master GW (Kg):	15.2 kg
BLADES INCLUDED:	N/A:
BLADE/CORD INSTALLED:	N/A:
USER MANUAL:	N/A User Manual
USER MANUAL WEB LINK:	



### PROPRIETARY INFORMATION

GloTek, Inc. www.globtek.com 186 Veterans Drive, Northvale, NJ 07647 Tel. (201) 784-1000 Fax (201) 784-0111	Drawing Title: GTM43007-A3007-1.0-FW, Medical/ITE/Household use Power Supply, Efficiency Level: N/A, Case Color/Style: GlobTek Black, Open Frame/Internal, Regulated Switchmode AC-DC Power Supply AC Adaptor, Input Rating: 100-240V~, 50-60 Hz, Molex Header (or equal) , Output Rating: 30W, 6V@5A, Output Configuration: N/A mm, N/A/4 Cond. , Molex 2.54mm Pitch 4-Pin Header PN: 22-11-2042 MATES W/ PN: 22-01-2047 or Equivalent, Ferrite: None, N/A, GT Cord # C0127, Pin Out: Pins 1 and 2: +V, Pins 3 and 4: -V, Blades/Input Cord: Not Applicable, Approvals: CB 62368; ETL 62368; EAC; cETLus; cETLus; Book 60601; China RoHS; WEEE; Ukraine; RoHS; CB 60601-1 2MOPP; CE; Double Insulation; CE; FCC; LPS; CB 60950; CB EN/IEC 60335-1; cETLus 60601-1 3rd; NEMKO EN/IEC 60335-1; S-Mark IEC/EN 60601-1 60950; Level V; Fuse60335; WDaE; Fuse 60335;	
	Model No. GTM43007-A3007-1.0-FW	
	Part No./Ordering No. GTM43007-A3006-FW(R)	Rev B

## INSTRUCTIONS TO THE OEM SYSTEMS ENGINEER

It is the responsibility of the OEM systems engineer to provide the end system user instructions and warnings for the use of this product in the end system.

If an input cord is required for this product, AC Mains voltage should be provided to the power supply by a power supply cord approved to the national standards of the country in which it will be used.

This power supply is not designed to be repaired. No serviceable parts inside. A blown internal fuse is an indication of catastrophic failure of circuit component(s). If a Failure Analysis is required for a failed power supply/battery charger, please return the damaged unit to Globtek for an accurate determination of the root cause of the failure.

EMC Compliance of the complete OEM product, including the GlobTek power supply/battery charger needs to be verified by the OEM systems engineer.

## INSTRUCTION SHEET

N/A